

**Note:**  
 1. Material:  
 1.1 Housing: thermoplastic high temp.UL94V-0; Color: natural.  
 1.2 Latch: thermoplastic high temp.UL94V-0; Color: black.  
 1.3 Terminal: copper alloy.  
 1.4 Fitting Nail: copper alloy.  
 2. Finish:  
 2.1 Terminal:  
 Underplating: Au/matt Tin overall.  
 2.2 Fitting Nail:  
 Underplating: matt Tin overall.  
 3. Product must comply HF RoHS specification.  
 4. Product No:  
 AFC31-S \*\* F \* \* - \*\*  
 CKTS CONTACTS TYPE F:Lower REMARKS HF:Halogen free  
 PLATING  
 1:Gold flash 1u"  
 2:Gold flash 2u"  
 3:Gold flash 3u"  
 B:Bright-Tin 90-120u"  
 C:Matt-Tin 90-120u"  
 PACKING  
 A:Tape&Reel  
 C:Tube

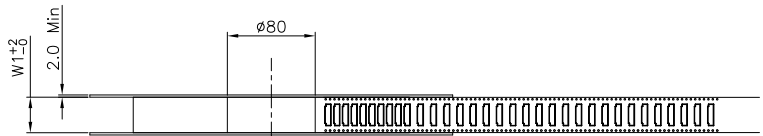
CKTS	DIM A	DIM B	DIM C	DIM D
4	1.50	2.60	4.70	6.10
5	2.00	3.10	5.20	6.60
6	2.50	3.60	5.70	7.10
7	3.00	4.10	6.20	7.60
8	3.50	4.60	6.70	8.10
9	4.00	5.10	7.20	8.60
10	4.50	5.60	7.70	9.10
11	5.00	6.10	8.20	9.60
12	5.50	6.60	8.70	10.10
13	6.00	7.10	9.20	10.60
14	6.50	7.60	9.70	11.10
15	7.00	8.10	10.20	11.60
16	7.50	8.60	10.70	12.10
17	8.00	9.10	11.20	12.60
18	8.50	9.60	11.70	13.10
19	9.00	10.10	12.20	13.60
20	9.50	10.60	12.70	14.10
21	10.00	11.10	13.20	14.60
22	10.50	11.60	13.70	15.10
23	11.00	12.10	14.20	15.60
24	11.50	12.60	14.70	16.10
25	12.00	13.10	15.20	16.60
26	12.50	13.60	15.70	17.10
27	13.00	14.10	16.20	17.60
28	13.50	14.60	16.70	18.10
29	14.00	15.10	17.20	18.60
30	14.50	15.60	17.70	19.10
31	15.00	16.10	18.20	19.60
32	15.50	16.60	18.70	20.10
33	16.00	17.10	19.20	20.60
34	16.50	17.60	19.70	21.10
35	17.00	18.10	20.20	21.60
36	17.50	18.60	20.70	22.10
37	18.00	19.10	21.20	22.60
38	18.50	19.60	21.70	23.10
39	19.00	20.10	22.20	23.60
40	19.50	20.60	22.70	24.10
41	20.00	21.10	23.20	24.60
42	20.50	21.60	23.70	25.10
43	21.00	22.10	24.20	25.60
44	21.50	22.60	24.70	26.10
45	22.00	23.10	25.20	26.60
46	22.50	23.60	25.70	27.10
47	23.00	24.10	26.20	27.60
48	23.50	24.60	26.70	28.10
49	24.00	25.10	27.20	28.60
50	24.50	25.60	27.70	29.10
51	25.00	26.10	28.20	29.60
52	25.50	26.60	28.70	30.10
53	26.00	27.10	29.20	30.60
54	26.50	27.60	29.70	31.10
55	27.00	28.10	30.20	31.60
56	27.50	28.60	30.70	32.10
57	28.00	29.10	31.20	32.60
58	28.50	29.60	31.70	33.10
59	29.00	30.10	32.20	33.60
60	29.50	30.60	32.70	34.10

RECOMMENDED P.C.B. PATTERN LAYOUT

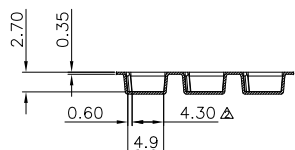
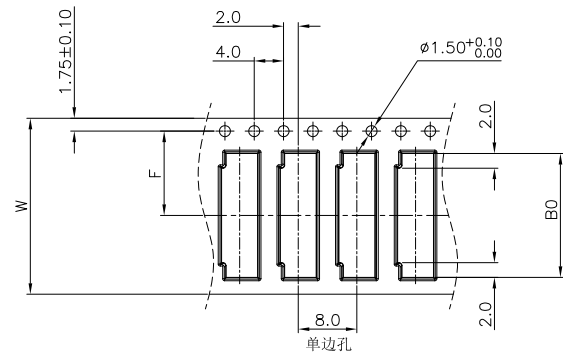
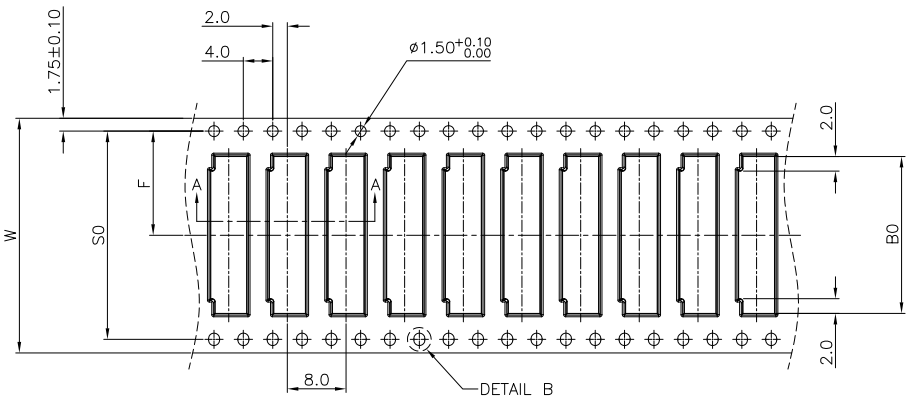
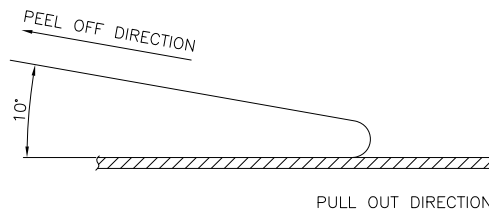
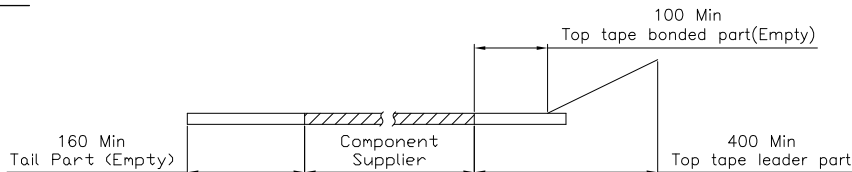
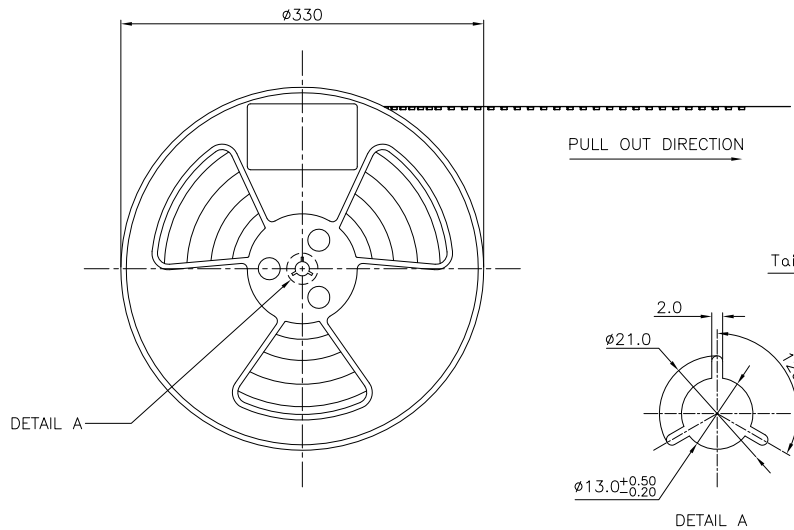
RECOMMENDED FPC/FFC DIMENSION

CUSTOMER DRAWING		深圳市钜硕电子有限公司 SHENZHEN JUSHUO ELECTRONIC CO.,LTD	
Tolerance Unspecified (未注公差)	Size (图幅): A4	Product Name (产品名称): 0.5Pitch H=1.5 FPC Back=Flip RA Type1 SMT CONN	
0.0 ±0.15 0° ±5°	Unit (单位): MM	Product No (产品料号): AFC31-S**F***-**	
0.00 ±0.10 0° ±3°	Scale (比例): 1:1	Designer (设计): Allan	Checked (审核):
0.000 ±0.05 0° ±1°	Page (页数): 1 OF 1	Approved (核准):	
Project View (投影视角)	Rev (版本): A		

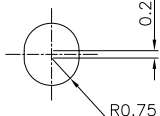
A	初版发行	2013/01/23	Allan
Rev 版本	Change Description 变更内容	Date 日期	Revisor 制/修订人



- NOTES:
1. 10 SPROCKET HOLE PITCH CUMULATIVE TOLERANCE.  $\pm 0.20\text{mm}$
  2. CARRIER CAMBER NOT TO EXCEED 1mm IN 250mm.
  3. ALL DIMENSIONS MEET EIA-481-C REQUIREMENTS.
  4. MATERIAL: BLACK ANTI-STATIC POLYSTYRENE.
  5. THICKNESS:  $0.35 \pm 0.05\text{mm}$ .
  6. PACKING LENGTH PER 13" REEL: 24.60 METERS.
  7. COMPONENT LOAD PER 13" REEL: 3000PCS
  8. PEELING OFF FORCE OF TOP TAPE  $0.1\text{N} \sim 0.7\text{N}$  ( $10.2\text{gf} \sim 71.4\text{gf}$ ).



SECTION A-A  
SCALE 1:1



DETAIL B  
SCALE 5:1

2.0	A0方向限位尺寸4.10mm改为4.30mm	2013/10/31	Allan
1.0	初版发行	2013/01/25	Allan
Rev 版本	Change Description 变更内容	Date 日期	Revisor 制/修订人

CLASSIFICATION DIMENSION (尺寸类别): FAT (首次检验): ☉To ☉ ■ MARK IS MAJOR DIM (重点尺寸标示) ⊗ MARK IS CRITICAL DIM (Cpk&Cp标示)	
Tolerance Unspecified (未注公差)	Size (图幅): A4
0.0 ±0.10 0° ±3°	Unit (单位): MM
0.00 ±0.05 0° 0° ±2°	Scale (比例): 1:1
0.000 ±0.02 0° 0° ±1°	Page (页数): 1 OF 1
Project View (投影视角)	Rev (版本): 2.0

深圳市钜硕电子有限公司  
SHENZHEN JUSHUO ELECTRONIC CO., LTD

Product Name (产品名称):  
0.5Pitch H=1.5 FPC 后压卧式SMT型. 载带

Product No (产品料号):  
AFC31-S\*\*F\*\*-\*

Drawing No (图面编号):  
DNE00063-1

Date (日期):  
2013/10/31

Designer (设计):  
Allan

Checked (审核):

Approved (核准):

CKTS	B0±0.10	W	W1	F	S0±0.10
4	6.40	16±0.3/-0	16.4	7.5±0.10	单边孔
5	6.90				
6	7.40				
7	7.90				
8	8.40				
9	8.90				
10	9.40				
11	9.90				
12	10.40				
13	10.90				
14	11.40				
15	11.90				
16	12.40				
17	12.90				
18	13.40				
19	13.90				
20	14.40				
21	14.90				
22	15.40				
23	15.90				
24	16.40				
25	16.90				
26	17.40				
27	17.90				
28	18.40				
29	18.90				
30	19.40				
31	19.90				
32	20.40				
33	20.90				
34	21.40				
35	21.90				
36	22.40				
37	22.90				
38	23.40				
39	23.90				
40	24.40				
41	24.90				
42	25.40				
43	25.90				
44	26.40				
45	26.90				
46	27.40				
47	27.90				
48	28.40				
49	28.90				
50	29.40				
51	29.90				
52	30.40				
53	30.90				
54	31.40				
55	31.90				
56	32.40				
57	32.90				
58	33.40				
59	33.90				
60	34.40				
24±0.3/-0	24.4	11.5			
32±0.30	32.4	14.2±0.10	28.4		
44±0.30	44.4	20.2±0.15	40.4		
56±0.30	56.4	26.2±0.15	52.4		

## X-ON Electronics

Largest Supplier of Electrical and Electronic Components

*Click to view similar products for [FFC & FPC Connectors](#) category:*

*Click to view products by [JUSHUO](#) manufacturer:*

Other Similar products are found below :

[00-6200-227-022-800](#) [006205250500825+](#) [006205280500825+](#) [FPH-1602G](#) [086222026001800](#) [52610-0675](#) [62674-201121DLF](#) [52746-1671-TR250](#) [10051922-1610EHLF](#) [10051922-2810EHLF](#) [686322124422](#) [XF3M-2915-1B-R100](#) [AYF353125A](#) [AYF530665TA](#) [AYF534065TA](#) [20FLH-RSM1-TB](#) [207356-1](#) [SFW12R-5STE9LF](#) [SFW18R-1STAE9LF](#) [SFW4R-5STE9LF](#) [52807-0430](#) [046283021002868+](#) [FFC05011-10SBB114W5M](#) [502250-8027](#) [67000-008LF](#) [200528-0260](#) [FH28K-10S-0.5SH](#) [FH52K-6S-0.5SH](#) [0.5K-DX-30PWB](#) [DS1020-08-10VBT12](#) [THD0515-34CL-GF](#) [X05A10L28G](#) [ECC2841061EU](#) [1.0K-DHQX-16PWB](#) [1.0K-DHQX-30PWB](#) [1775333-6](#) [10054365-202110ELF](#) [10054365-242110ELF](#) [10054365-282110ELF](#) [10064555-392220HLF](#) [59453-041110EBHLF](#) [59453-091110EDHLF](#) [62674-241141ALF](#) [62684-432100ALF](#) [62684-451100AHLF](#) [62684-5721N0ALF](#) [HFW11R-1STE1MTLF](#) [HFW12R-1STE9LF](#) [HFW14R-1STE9MTLF](#) [HFW18S-2STE9LF](#)