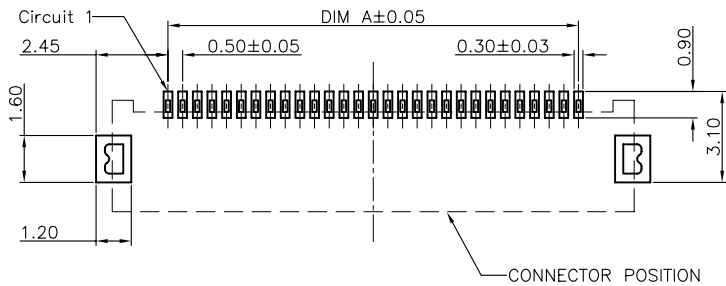
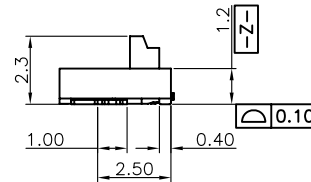
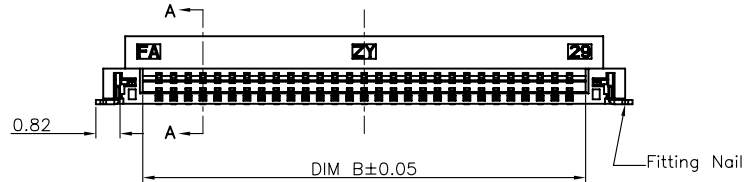
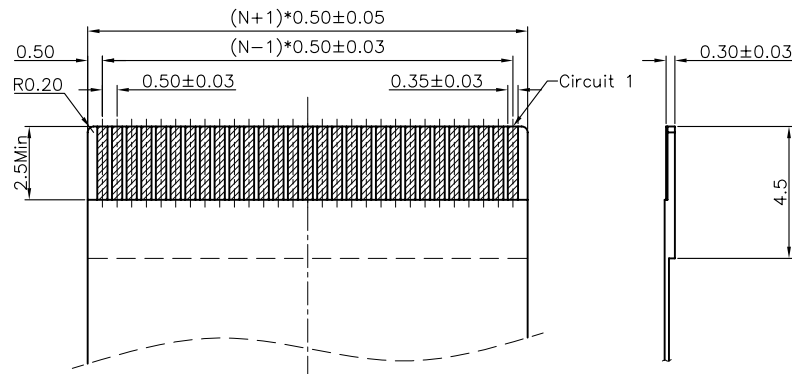


SECTION A-A  
SCALE 1:1



RECOMMENDED P.C.B. PATTERN LAYOUT



RECOMMENDED FPC/FFC DIMENSION

- Note:**
- Material:
    - Housing: thermoplastic high temp.UL94V-0; Color: natural.
    - Latch: thermoplastic high temp.UL94V-0; Color: black.
    - Terminal: copper alloy.
    - Fitting Nail: copper alloy.
  - Finish:
    - Terminal:
      - Underplating: Au/matt Tin overall.
    - Fitting Nail:
      - Underplating: matt Tin overall.
  - Product must comply HF RoHS specification.
  - Product No:
    - AFC34-S \*\* F \* A - 00
    - CKTS CONTACTS TYPE
    - F:Lower
    - H:Double Lower
    - PLATING
    - 1:Gold flash 1u"
    - 2:Gold flash 2u"
    - 3:Gold flash 3u"
    - B:Bright-Tin 90-120u"
    - C:Matt-Tin 90-120u"
    - REMARKS HF:Halogen free
    - PACKING A:Tape&Reel C:Tube

CKTS	DIM A	DIM B	DIM C	DIM D
4	1.50	2.60	5.80	5.30
5	2.00	3.10	6.30	5.80
6	2.50	3.60	6.80	6.30
7	3.00	4.10	7.30	6.80
8	3.50	4.60	7.80	7.30
9	4.00	5.10	8.30	7.80
10	4.50	5.60	8.80	8.30
11	5.00	6.10	9.30	8.80
12	5.50	6.60	9.80	9.30
13	6.00	7.10	10.30	9.80
14	6.50	7.60	10.80	10.30
15	7.00	8.10	11.30	10.80
16	7.50	8.60	11.80	11.30
17	8.00	9.10	12.30	11.80
18	8.50	9.60	12.80	12.30
19	9.00	10.10	13.30	12.80
20	9.50	10.60	13.80	13.30
21	10.00	11.10	14.30	13.80
22	10.50	11.60	14.80	14.30
23	11.00	12.10	15.30	14.80
24	11.50	12.60	15.80	15.30
25	12.00	13.10	16.30	15.80
26	12.50	13.60	16.80	16.30
27	13.00	14.10	17.30	16.80
28	13.50	14.60	17.80	17.30
29	14.00	15.10	18.30	17.80
30	14.50	15.60	18.80	18.30
31	15.00	16.10	19.30	18.80
32	15.50	16.60	19.80	19.30
33	16.00	17.10	20.30	19.80
34	16.50	17.60	20.80	20.30
35	17.00	18.10	21.30	20.80
36	17.50	18.60	21.80	21.30
37	18.00	19.10	22.30	21.80
38	18.50	19.60	22.80	22.30
39	19.00	20.10	23.30	22.80
40	19.50	20.60	23.80	23.30
41	20.00	21.10	24.30	23.80
42	20.50	21.60	24.80	24.30
43	21.00	22.10	25.30	24.80
44	21.50	22.60	25.80	25.30
45	22.00	23.10	26.30	25.80
46	22.50	23.60	26.80	26.30
47	23.00	24.10	27.30	26.80
48	23.50	24.60	27.80	27.30
49	24.00	25.10	28.30	27.80
50	24.50	25.60	28.80	28.30
51	25.00	26.10	29.30	28.80
52	25.50	26.60	29.80	29.30
53	26.00	27.10	30.30	29.80
54	26.50	27.60	30.80	30.30
55	27.00	28.10	31.30	30.80
56	27.50	28.60	31.80	31.30
57	28.00	29.10	32.30	31.80
58	28.50	29.60	32.80	32.30
59	29.00	30.10	33.30	32.80
60	29.50	30.60	33.80	33.30

CUSTOMER DRAWING		<b>深圳市钜硕电子有限公司</b>	
Tolerance Unspecified (未注公差)	Size (图幅): A4	Product Name (产品名称):	
0.0 ±0.15 0° ±5°	Unit (单位): MM	0.5Pitch H=1.2 FPC Back-Flip R/A Type1 SMT CONN	
0.00 ±0.10 0° 0 ±3°	Scale (比例): 1:1	Product No (产品料号):	
0.000 ±0.05 0° 00 ±1°	Project View (投影视角): 1 OF 1	AFC34-S**F**	
Rev 版本	初版发行	Designer (设计): Allan 04/15/16	Checked (审核):
Change Description 变更内容	Date 日期	Approved (核准):	
	Revisor 制/修订人		

A	初版发行	2016/04/15	Allan
Rev 版本	Change Description 变更内容	Date 日期	Revisor 制/修订人

## X-ON Electronics

Largest Supplier of Electrical and Electronic Components

*Click to view similar products for [FFC & FPC Connectors](#) category:*

*Click to view products by [JUSHUO](#) manufacturer:*

Other Similar products are found below :

[00-6200-227-022-800](#) [006205250500825+](#) [006205280500825+](#) [FPH-1602G](#) [FPH-2022G](#) [52610-1275](#) [501864-3091-TR225](#)  
[086222026001800](#) [52610-0675](#) [62674-201121DLF](#) [62684-36210E9ALF](#) [52746-1671-TR250](#) [10051922-2810EHLF](#) [686322124422](#) [XF3M-](#)  
[2915-1B-R100](#) [AYF353125A](#) [AYF530665TA](#) [AYF534065TA](#) [AYF351525](#) [086212040340800+](#) [AYF530365TA](#) [67000-004LF](#)  
[006207341915000+](#) [207356-1](#) [67000-003LF](#) [HFW14R-2STE9LF](#) [SFW12R-5STE9LF](#) [SFW18R-1STAE9LF](#) [SFW4R-5STE9LF](#) [52807-0430](#)  
[046283021002868+](#) [502250-8027](#) [104267-9617](#) [66987-011LF](#) [HFW8S-2STAE1HLF](#) [67000-008LF](#) [HFW22R-2STE1H1LF](#) [0781271110](#)  
[5019511030](#) [200528-0260](#) [5039084120](#) [503908-5120](#) [SFW20R-1STGE5LF](#) [FH12-18S-0.5SH](#) [686116183522](#) [FH64MA-11S-0.25SHW](#)  
[686114183522](#) [502078-5362](#) [FH52K-68S-0.5SH](#) [FH26W-23S-0.3SHW\(60\)](#)