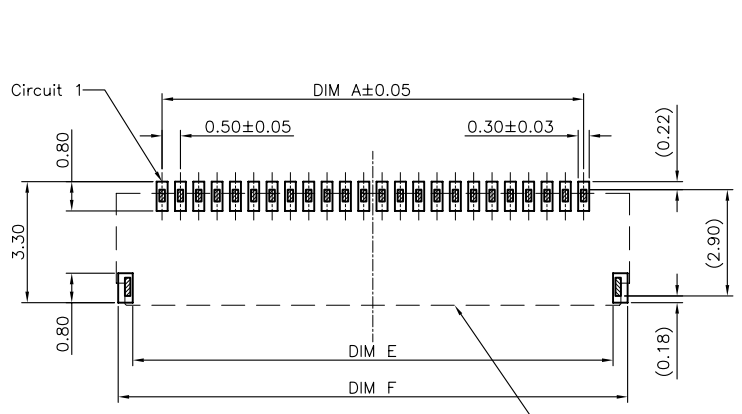
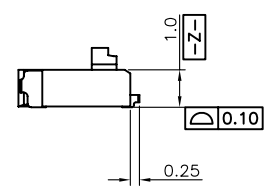
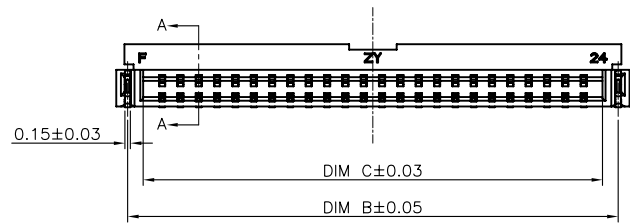
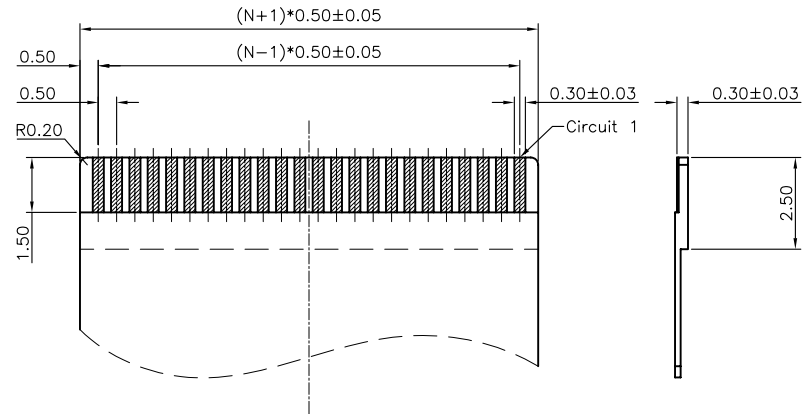


SECTION A-A
SCALE 1:1



RECOMMENDED P.C.B PATTERN LAYOUT



RECOMMENDED FPC/FFC DIMENSION

- Note:
- Material:
 - Housing: thermoplastic high temp.UL94V-0; Color: natural.
 - Latch: thermoplastic high temp.UL94V-0; Color: black.
 - Terminal: copper alloy.
 - Fitting Nail: copper alloy.
 - Finish:
 - Terminal: Underplating: Gold flash overall.
 - Fitting Nail: Underplating: matt Tin overall.
 - Product must comply HF RoHS specification.

4. Product No:
 AFC42-S ** F * A - 00
 CKTS CONTACTS TYPE
 E:Upper
 F:Lower
 PLATING
 1:Gold flash 1u"
 2:Gold flash 2u"
 3:Gold flash 3u"
 4:Gold flash 5u"
 K:Gold point 3u"
 L:Gold point 4u"
 M:Gold point 5u"
 REMARKS
 HF:Halogen free
 1H:Housing: black
 PACKING
 A:Tape&Reel
 C:Tube

| CKTS | DIM A | DIM B | DIM C | DIM D | DIM E | DIM F |
|------|-------|-------|-------|-------|-------|-------|
| 4 | 1.50 | 3.38 | 2.53 | 4.00 | 3.10 | 3.90 |
| 5 | 2.00 | 3.88 | 3.03 | 4.50 | 3.60 | 4.40 |
| 6 | 2.50 | 4.38 | 3.53 | 5.00 | 4.10 | 4.90 |
| 7 | 3.00 | 4.88 | 4.03 | 5.50 | 4.60 | 5.40 |
| 8 | 3.50 | 5.38 | 4.53 | 6.00 | 5.10 | 5.90 |
| 9 | 4.00 | 5.88 | 5.03 | 6.50 | 5.60 | 6.40 |
| 10 | 4.50 | 6.38 | 5.53 | 7.00 | 6.10 | 6.90 |
| 11 | 5.00 | 6.88 | 6.03 | 7.50 | 6.60 | 7.40 |
| 12 | 5.50 | 7.38 | 6.53 | 8.00 | 7.10 | 7.90 |
| 13 | 6.00 | 7.88 | 7.03 | 8.50 | 7.60 | 8.40 |
| 14 | 6.50 | 8.38 | 7.53 | 9.00 | 8.10 | 8.90 |
| 15 | 7.00 | 8.88 | 8.03 | 9.50 | 8.60 | 9.40 |
| 16 | 7.50 | 9.38 | 8.53 | 10.00 | 9.10 | 9.90 |
| 17 | 8.00 | 9.88 | 9.03 | 10.50 | 9.60 | 10.40 |
| 18 | 8.50 | 10.38 | 9.53 | 11.00 | 10.10 | 10.90 |
| 19 | 9.00 | 10.88 | 10.03 | 11.50 | 10.60 | 11.40 |
| 20 | 9.50 | 11.38 | 10.53 | 12.00 | 11.10 | 11.90 |
| 21 | 10.00 | 11.88 | 11.03 | 12.50 | 11.60 | 12.40 |
| 22 | 10.50 | 12.38 | 11.53 | 13.00 | 12.10 | 12.90 |
| 23 | 11.00 | 12.88 | 12.03 | 13.50 | 12.60 | 13.40 |
| 24 | 11.50 | 13.38 | 12.53 | 14.00 | 13.10 | 13.90 |
| 25 | 12.00 | 13.88 | 13.03 | 14.50 | 13.60 | 14.40 |
| 26 | 12.50 | 14.38 | 13.53 | 15.00 | 14.10 | 14.90 |
| 27 | 13.00 | 14.88 | 14.03 | 15.50 | 14.60 | 15.40 |
| 28 | 13.50 | 15.38 | 14.53 | 16.00 | 15.10 | 15.90 |
| 29 | 14.00 | 15.88 | 15.03 | 16.50 | 15.60 | 16.40 |
| 30 | 14.50 | 16.38 | 15.53 | 17.00 | 16.10 | 16.90 |
| 31 | 15.00 | 16.88 | 16.03 | 17.50 | 16.60 | 17.40 |
| 32 | 15.50 | 17.38 | 16.53 | 18.00 | 17.10 | 17.90 |
| 33 | 16.00 | 17.88 | 17.03 | 18.50 | 17.60 | 18.40 |
| 34 | 16.50 | 18.38 | 17.53 | 19.00 | 18.10 | 18.90 |
| 35 | 17.00 | 18.88 | 18.03 | 19.50 | 18.60 | 19.40 |
| 36 | 17.50 | 19.38 | 18.53 | 20.00 | 19.10 | 19.90 |
| 37 | 18.00 | 19.88 | 19.03 | 20.50 | 19.60 | 20.40 |
| 38 | 18.50 | 20.38 | 19.53 | 21.00 | 20.10 | 20.90 |
| 39 | 19.00 | 20.88 | 20.03 | 21.50 | 20.60 | 21.40 |
| 40 | 19.50 | 21.38 | 20.53 | 22.00 | 21.10 | 21.90 |
| 41 | 20.00 | 21.88 | 21.03 | 22.50 | 21.60 | 22.40 |
| 42 | 20.50 | 22.38 | 21.53 | 23.00 | 22.10 | 22.90 |
| 43 | 21.00 | 22.88 | 22.03 | 23.50 | 22.60 | 23.40 |
| 44 | 21.50 | 23.38 | 22.53 | 24.00 | 23.10 | 23.90 |
| 45 | 22.00 | 23.88 | 23.03 | 24.50 | 23.60 | 24.40 |
| 46 | 22.50 | 24.38 | 23.53 | 25.00 | 24.10 | 24.90 |
| 47 | 23.00 | 24.88 | 24.03 | 25.50 | 24.60 | 25.40 |
| 48 | 23.50 | 25.38 | 24.53 | 26.00 | 25.10 | 25.90 |
| 49 | 24.00 | 25.88 | 25.03 | 26.50 | 25.60 | 26.40 |
| 50 | 24.50 | 26.38 | 25.53 | 27.00 | 26.10 | 26.90 |

| | | | |
|------------------------------|-------------------------------|---|----------------|
| CUSTOMER DRAWING | | 深圳市钜硕电子有限公司 | |
| Tolerance Unspecified (未注公差) | Size (图幅): A4 | Product Name (产品名称): | |
| 0.0 ±0.15 0° ±5° | Unit (单位): MM | 0.5Pitch H=1.0 FPC Back-Flip R/A Type3 SMT CONN | |
| 0.00 ±0.10 0° ±3° | Scale (比例): 1:1 | Product No (产品料号): | |
| 0.000 ±0.05 0° 0.00 ±1° | Page (页数): 1 OF 1 | AFC42-S**F**-* | |
| Project View (投影视角) | Designer (设计): Allan 11/26'14 | Checked (审核): | Approved (核准): |
| Rev 版本 | Rev (版本): A | | |

| Rev 版本 | Change Description 变更内容 | Date 日期 | Revisor 制/修订人 |
|--------|-------------------------|------------|---------------|
| A | 初版发行 | 2013/11/26 | Allan |

X-ON Electronics

Largest Supplier of Electrical and Electronic Components

Click to view similar products for [FFC & FPC Connectors](#) category:

Click to view products by [JUSHUO](#) manufacturer:

Other Similar products are found below :

[00-6200-227-022-800](#) [006205250500825+](#) [006205280500825+](#) [FPH-1602G](#) [086222026001800](#) [52610-0675](#) [62674-201121DLF](#) [52746-1671-TR250](#) [10051922-1610EHLF](#) [686322124422](#) [XF3M-2915-1B-R100](#) [AYF353125A](#) [AYF530665TA](#) [AYF534065TA](#) [20FLH-RSM1-TB](#) [207356-1](#) [SFW12R-5STE9LF](#) [SFW18R-1STAE9LF](#) [SFW4R-5STE9LF](#) [52807-0430](#) [046283021002868+](#) [FFC05011-10SBB114W5M](#) [502250-8027](#) [67000-008LF](#) [200528-0260](#) [FH28K-10S-0.5SH](#) [FH52K-6S-0.5SH](#) [0.5K-DX-30PWB](#) [DS1020-08-10VBT12](#) [THD0515-34CL-GF](#) [X05A10L28G](#) [ECC2841061EU](#) [1.0K-DHGX-16PWB](#) [1.0K-DHGX-30PWB](#) [1775333-6](#) [10054365-202110ELF](#) [10054365-242110ELF](#) [10054365-282110ELF](#) [10064555-392220HLF](#) [59453-041110EBHLF](#) [59453-091110EDHLF](#) [62674-241141ALF](#) [62684-432100ALF](#) [62684-451100AHLF](#) [62684-5721N0ALF](#) [HFW11R-1STE1MTLF](#) [HFW12R-1STE9LF](#) [HFW14R-1STE9MTLF](#) [HFW18S-2STE9LF](#) [HFW20R-1STAE1HLF](#)