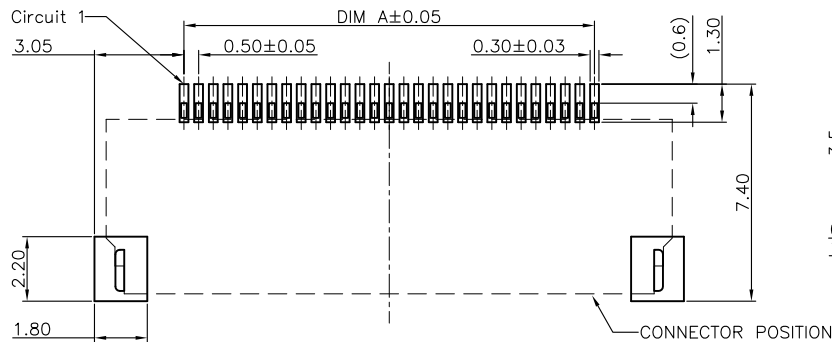
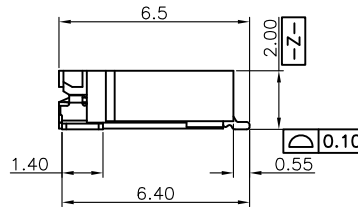
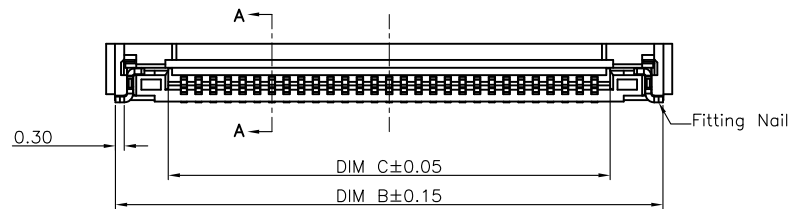
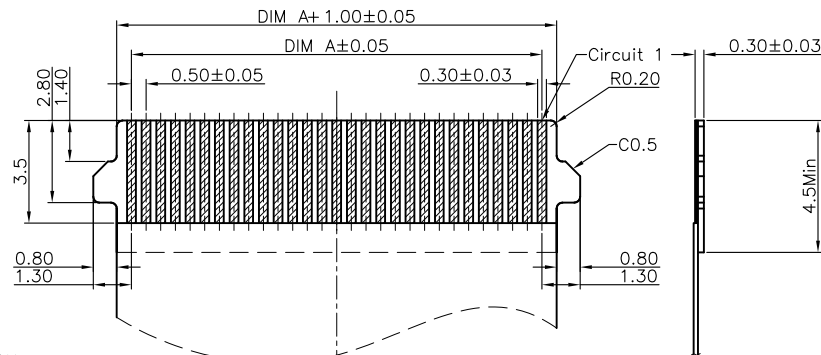


SECTION A-A  
SCALE 1:1



RECOMMENDED P.C.B. PATTERN LAYOUT



RECOMMENDED FPC/FFC DIMENSION

Note:

1. Material:
  - 1.1 Housing: thermoplastic high temp.UL94V-0; Color: natural.
  - 1.2 Latch: thermoplastic high temp.UL94V-0; Color: black.
  - 1.3 Terminal: copper alloy.
  - 1.4 Fitting Nail: copper alloy.

2. Finish:

- 2.1 Terminal:
  - 50u"Min Nickel Under plating overall;
  - 1:1u" Gold on Contact and Solder
  - N:10u" Gold on Contact and Gold flash on Solder;

2.2 Fitting Nail:

- 50u"Min Nickel Under plating overall;
- 90u"Min matte tin plating overall.

3. Product must comply HF RoHS specification.

4. Product No.:

AFC64-S  
 CKTS                   \*\*    F   \*   \*   -   \*\*  
 CONTACTS TYPE                    REMARKS  
 F:Lower                                   HF:Halogen free

PLATING                                   PACKING  
 I:1u" Gold on Contact and solder    A:Tape&Reel  
 N:10u" Gold on Contact and Gold flash on solder   C:Tube

CKTS	DIM A	DIM B	DIM C	DIM D
4	1.50	6.17	2.57	6.80
5	2.00	6.67	3.07	7.30
6	2.50	7.17	3.57	7.80
7	3.00	7.67	4.07	8.30
8	3.50	8.17	4.57	8.80
9	4.00	8.67	5.07	9.30
10	4.50	9.17	5.57	9.80
11	5.00	9.67	6.07	10.30
12	5.50	10.17	6.57	10.80
13	6.00	10.67	7.07	11.30
14	6.50	11.17	7.57	11.80
15	7.00	11.67	8.07	12.30
16	7.50	12.17	8.57	12.80
17	8.00	12.67	9.07	13.30
18	8.50	13.17	9.57	13.80
19	9.00	13.67	10.07	14.30
20	9.50	14.17	10.57	14.80
21	10.00	14.67	11.07	15.30
22	10.50	15.17	11.57	15.80
23	11.00	15.67	12.07	16.30
24	11.50	16.17	12.57	16.80
25	12.00	16.67	13.07	17.30
26	12.50	17.17	13.57	17.80
27	13.00	17.67	14.07	18.30
28	13.50	18.17	14.57	18.80
29	14.00	18.67	15.07	19.30
30	14.50	19.17	15.57	19.80
31	15.00	19.67	16.07	20.30
32	15.50	20.17	16.57	20.80
33	16.00	20.67	17.07	21.30
34	16.50	21.17	17.57	21.80
35	17.00	21.67	18.07	22.30
36	17.50	22.17	18.57	22.80
37	18.00	22.67	19.07	23.30
38	18.50	23.17	19.57	23.80
39	19.00	23.67	20.07	24.30
40	19.50	24.17	20.57	24.80
41	20.00	24.67	21.07	25.30
42	20.50	25.17	21.57	25.80
43	21.00	25.67	22.07	26.30
44	21.50	26.17	22.57	26.80
45	22.00	26.67	23.07	27.30
46	22.50	27.17	23.57	27.80
47	23.00	27.67	24.07	28.30
48	23.50	28.17	24.57	28.80
49	24.00	28.67	25.07	29.30
50	24.50	29.17	25.57	29.80
51	25.00	29.67	26.07	30.30
52	25.50	30.17	26.57	30.80
53	26.00	30.67	27.07	31.30
54	26.50	31.17	27.57	31.80
55	27.00	31.67	28.07	32.30
56	27.50	32.17	28.57	32.80
57	28.00	32.67	29.07	33.30
58	28.50	33.17	29.57	33.80
59	29.00	33.67	30.07	34.30
60	29.50	34.17	30.57	34.80

CUSTOMER DRAWING

Tolerance Unspecified (未注公差):  
 0.0 ±0.15 0° ±5°  
 0.00 ±0.10 0° ±3°  
 0.000 ±0.05 0° ±1°

Size (图幅): A4  
 Unit (单位): MM  
 Scale (比例): 1:1

Project View (投影视角): 1 OF 1

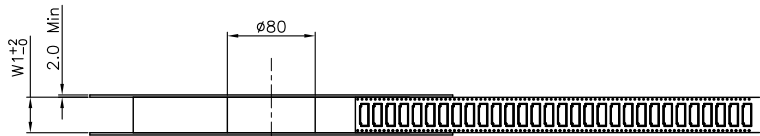
深圳市钜硕电子有限公司  
 SHENZHEN JUSHUO ELECTRONIC CO.,LTD

Product Name (产品名称):  
 0.5Pitch H=2.0 FPC/FFC Easy-on R/A Type5 SMT CONN

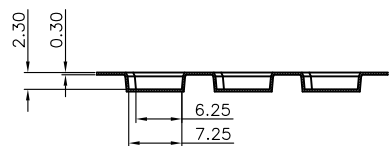
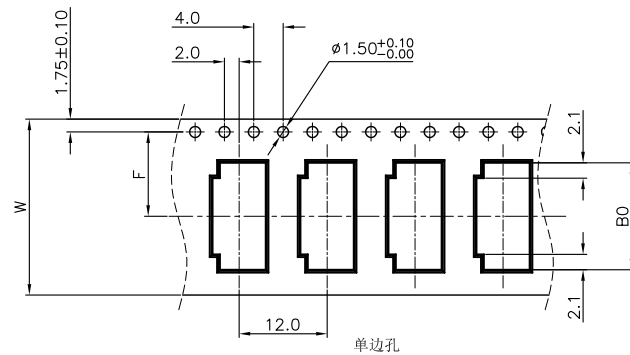
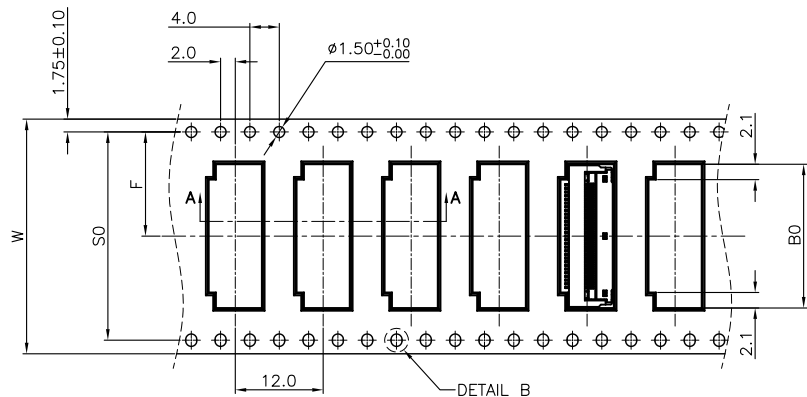
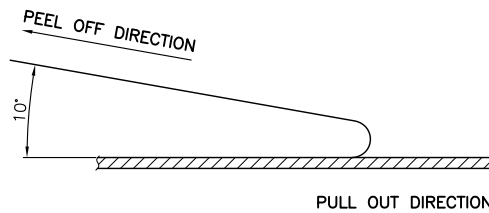
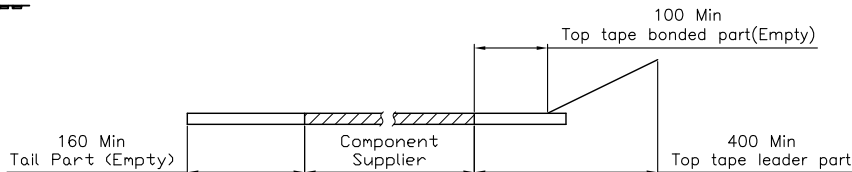
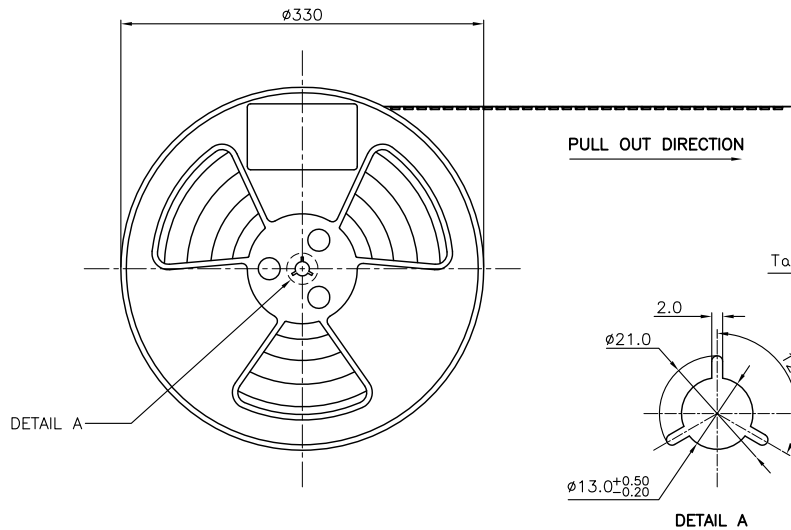
Product No (产品料号):  
 AFC64-S\*\*F\*\*

Rev	Change Description	Date	Revisor
A	初版发行	2017/04/10	Allan
版本	变更内容	日期	制/修订人

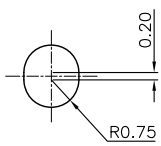
Designer (设计): Allan  
 Checked (审核):  
 Approved (核准):



- NOTES:
1. 10 SPROCKET HOLE PITCH CUMULATIVE TOLERANCE.±0.20mm
  2. CARRIER CAMBER NOT TO EXCEED 1mm IN 250mm.
  3. ALL DIMENSIONS MEET EIA-481-D REQUIREMENTS.
  4. MATERIAL: BLACK ANTI-STATIC POLYSTYRENE.
  5. THICKNESS: 0.30 ± 0.05 mm.
  6. PACKING LENGTH PER 13" REEL: 24.60METERS.
  7. COMPONENT LOAD PER 13" REEL: 2000PCS
  8. PEELING OFF FORCE OF TOP TAPE 0.1N~0.7N(10.2gf~71.4gf).



SECTION A-A  
SCALE 1:1



DETAIL B  
SCALE 5:1

CKTS	B0±0.10	W	W1	F	S0±0.10
4	7.10				
5	7.60	16+0.3/-0	16.4	7.5±0.10	
6	8.10				
7	8.60				
8	9.10				
9	9.60				
10	10.10				
11	10.60				
12	11.10				
13	11.60	24+0.3/-0	24.4	11.5±0.10	单边孔
14	12.10				
15	12.60				
16	13.10				
17	13.60				
18	14.10				
19	14.60				
20	15.10				
21	15.60				
22	16.10				
23	16.60				
24	17.10				
25	17.60				
26	18.10	32±0.30	32.4	14.2±0.10	28.4
27	18.60				
28	19.10				
29	19.60				
30	20.10				
31	20.60				
32	21.10				
33	21.60				
34	22.10				
35	22.60				
36	23.10				
37	23.60				
38	24.10				
39	24.60	44±0.30	44.4	20.2±0.15	40.4
40	25.10				
41	25.60				
42	26.10				
43	26.60				
44	27.10				
45	27.60				
46	28.10				
47	28.60				
48	29.10				
49	29.60				
50	30.10				
51	30.60				
52	31.10				
53	31.60	56±0.30	56.4	26.2±0.15	52.4
54	32.10				
55	32.60				
56	33.10				
57	33.60				
58	34.10				
59	34.60				
60	35.10				

CLASSIFICATION DIMENSION (尺寸类别):  
 FAT (首次检验): ⊗ To ⊗  
 ■ MARK IS MAJOR DIM (重点尺寸标示)  
 ⊙ MARK IS CRITICAL DIM (Cpk&Cp标示)

Tolerance Unspecified (未注公差)  
 0.0 ±0.10 0° ±3°  
 0.00 ±0.05 0° 0° ±2°  
 0.000 ±0.02 0° 0° ±1°

Size (图幅): A4  
 Unit (单位): MM  
 Scale (比例): 1:1  
 Project View (投影视角): 1 OF 1  
 Rev (版本): 1.0

深圳市钜硕电子有限公司  
 SHENZHEN JUSHUO ELECTRONIC CO., LTD

Product Name (产品名称):  
 0.5Pitch H=2.0 FPC 掀盖卧式5代SMT载带

Product No (产品料号):  
 AFC64-S\*\*F\*\*\*

Drawing No (图面编号):  
 DNE00126-1

Date (日期):  
 2017/04/10

Designer (设计):  
 Allan

Checked (审核):

Approved (核准):

Rev	Change Description	Date	Revisor
版本	变更内容	日期	制/修订人
1.0	初版发行	2017/04/10	Allan

## X-ON Electronics

Largest Supplier of Electrical and Electronic Components

*Click to view similar products for [FFC & FPC Connectors](#) category:*

*Click to view products by [JUSHUO](#) manufacturer:*

Other Similar products are found below :

[00-6200-227-022-800](#) [006205250500825+](#) [006205280500825+](#) [FPH-1602G](#) [FPH-2022G](#) [52610-1275](#) [501864-3091-TR225](#)  
[086222026001800](#) [52610-0675](#) [62674-201121DLF](#) [62684-36210E9ALF](#) [52746-1671-TR250](#) [10051922-2810EHLF](#) [686322124422](#) [XF3M-](#)  
[2915-1B-R100](#) [AYF353125A](#) [AYF530665TA](#) [AYF534065TA](#) [AYF351525](#) [086212040340800+](#) [AYF530365TA](#) [67000-004LF](#)  
[006207341915000+](#) [207356-1](#) [67000-003LF](#) [HFW14R-2STE9LF](#) [SFW12R-5STE9LF](#) [SFW18R-1STAE9LF](#) [SFW4R-5STE9LF](#) [52807-0430](#)  
[046283021002868+](#) [502250-8027](#) [104267-9617](#) [66987-011LF](#) [HFW8S-2STAE1HLF](#) [67000-008LF](#) [HFW22R-2STE1H1LF](#) [0781271110](#)  
[5019511030](#) [200528-0260](#) [5039084120](#) [503908-5120](#) [SFW20R-1STGE5LF](#) [FH12-18S-0.5SH](#) [686116183522](#) [FH64MA-11S-0.25SHW](#)  
[686114183522](#) [502078-5362](#) [FH52K-68S-0.5SH](#) [FH26W-23S-0.3SHW\(60\)](#)