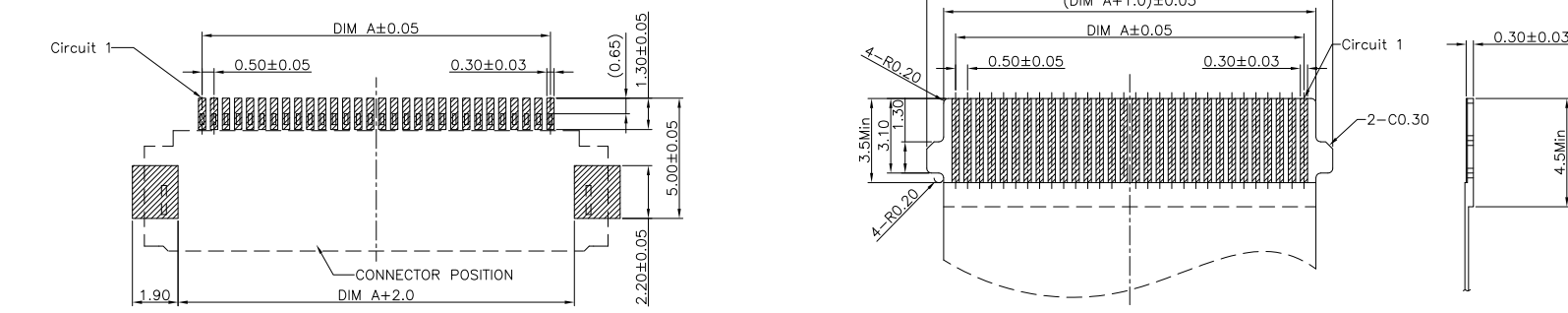


Note:

- Material:
 - Housing: thermoplastic high temp.UL94V-0;
 - Latch: thermoplastic high temp.UL94V-0;
 - Terminal: copper alloy.
 - Fitting Nail: copper alloy.
- Finsh:
 - Terminal:
 - 50~100u" Nickel under plating over all
I:Gold flash on contact and solder area.
K:3u" Gold on contact and Gold Flash on Solder
M:5u" Gold on contact and Gold Flash on Solder
S:15u" Gold on contact and Gold Flash on Solder
 - Fitting Nail:
 - 50~100u" Nickel under plating over all
80~150u" Matte-Tin over all.
- Product must comply HF RoHS specification.
- Product No:

AFC79-S	**	F	*	*	-	**	REMARKS
CKTS							HF:Housing Natural
CONTACTS TYPE							Latch Black
F:Lower							
PLATING							PACKING
I:Gold flash							A:Tape&Reel
K:3u" Au							
M:5u" Au							
S:15u" Au							

CKTS	DIM A	DIM B	DIM C	DIM D
4	1.50	4.67	2.57	6.30
5	2.00	5.17	3.07	6.80
6	2.50	5.67	3.57	7.30
7	3.00	6.17	4.07	7.80
8	3.50	6.67	4.57	8.30
9	4.00	7.17	5.07	8.80
10	4.50	7.67	5.57	9.30
11	5.00	8.17	6.07	9.80
12	5.50	8.67	6.57	10.30
13	6.00	9.17	7.07	10.80
14	6.50	9.67	7.57	11.30
15	7.00	10.17	8.07	11.80
16	7.50	10.67	8.57	12.30
17	8.00	11.17	9.07	12.80
18	8.50	11.67	9.57	13.30
19	9.00	12.17	10.07	13.80
20	9.50	12.67	10.57	14.30
21	10.00	13.17	11.07	14.80
22	10.50	13.67	11.57	15.30
23	11.00	14.17	12.07	15.80
24	11.50	14.67	12.57	16.30
25	12.00	15.17	13.07	16.80
26	12.50	15.67	13.57	17.30
27	13.00	16.17	14.07	17.80
28	13.50	16.67	14.57	18.30
29	14.00	17.17	15.07	18.80
30	14.50	17.67	15.57	19.30
31	15.00	18.17	16.07	19.80
32	15.50	18.67	16.57	20.30
33	16.00	19.17	17.07	20.80
34	16.50	19.67	17.57	21.30
35	17.00	20.17	18.07	21.80
36	17.50	20.67	18.57	22.30
37	18.00	21.17	19.07	22.80
38	18.50	21.67	19.57	23.30
39	19.00	22.17	20.07	23.80
40	19.50	22.67	20.57	24.30
41	20.00	23.17	21.07	24.80
42	20.50	23.67	21.57	25.30
43	21.00	24.17	22.07	25.80
44	21.50	24.67	22.57	26.30
45	22.00	25.17	23.07	26.80
46	22.50	25.67	23.57	27.30
47	23.00	26.17	24.07	27.80
48	23.50	26.67	24.57	28.30
49	24.00	27.17	25.07	28.80
50	24.50	27.67	25.57	29.30
51	25.00	28.17	26.07	29.80
52	25.50	28.67	26.57	30.30
53	26.00	29.17	27.07	30.80
54	26.50	29.67	27.57	31.30
55	27.00	30.17	28.07	31.80
56	27.50	30.67	28.57	32.30
57	28.00	31.17	29.07	32.80
58	28.50	31.67	29.57	33.30
59	29.00	32.17	30.07	33.80
60	29.50	32.67	30.57	34.30

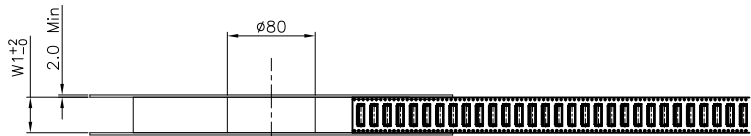


RECOMMENDED P.C.B. PATTERN LAYOUT
GENERAL TOLERANCE ±0.05

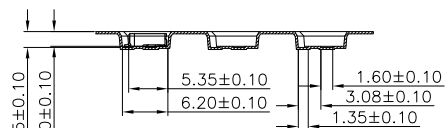
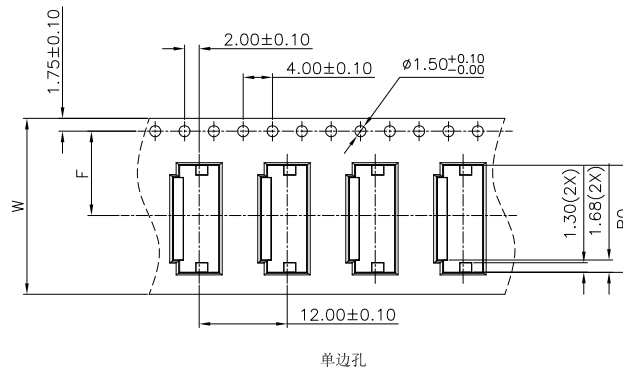
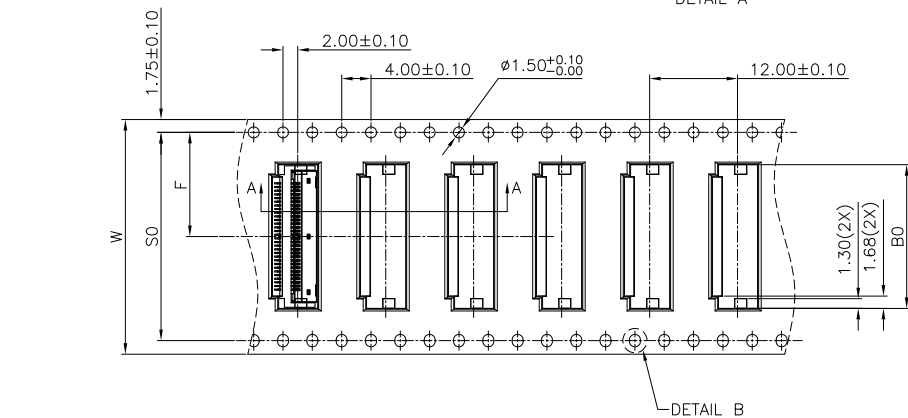
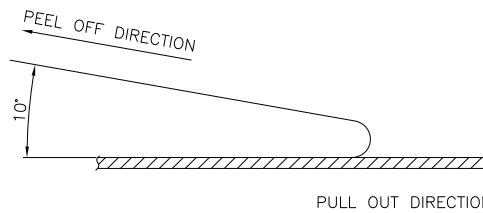
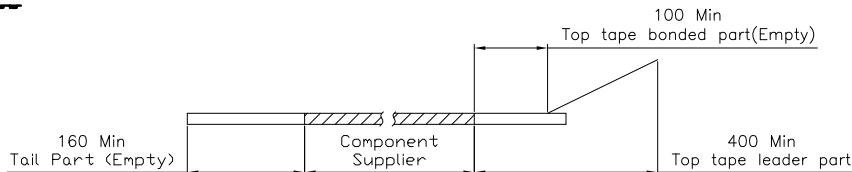
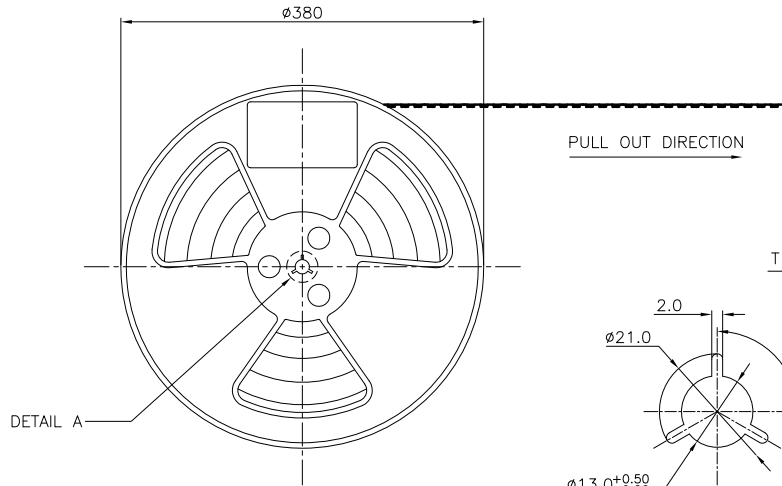
RECOMMENDED FPC/FFC DIMENSION
GENERAL TOLERANCE ±0.05

CUSTOMER DRAWING		深圳市钜硕电子有限公司 SHENZHEN JUSHUO ELECTRONIC CO.,LTD	
Tolerance Unspecified (未注公差)	Size (图幅): A4	Product Name (产品名称): 0.5Pitch H=1.75 R/A B/C SMT TYPE 5 FPC/FFC CONNECTOR	
0.0 ±0.15 0° ±5°	Unit (单位): MM	Product No (产品料号): AFC79-S**F***	
0.00 ±0.10 0° ±3°	Scale (比例): 1:1	Designer (设计): 吴小光	Checked (审核):
0.000 ±0.05 0° ±1°	Page (页数): 1 OF 1	Approved (核准):	
Project View (投影视角)	Rev (版本): A		

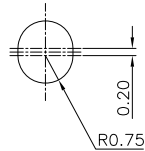
Rev 版本	Change Description 变更内容	Date 日期	Revisor 制/修订人
A	初版发行	2019/09/24	吴小光



- NOTES:
1. 10 SPROCKET HOLE PITCH CUMULATIVE TOLERANCE.±0.20mm
 2. CARRIER CAMBER NOT TO EXCEED 1mm IN 250mm.
 3. ALL DIMENSIONS MEET EIA-481-C REQUIREMENTS.
 4. MATERIAL: BLACK ANTI-STATIC POLYSTYRENE.
 5. THICKNESS: 0.30 ± 0.05 mm.
 6. PACKING LENGTH PER 15" REEL : 36.60METERS.
 7. COMPONENT LOAD PER 15" REEL : 3000PCS.
 8. PEELING OFF FORCE OF TOP TAPE 0.1N~0.7N(10.2gf~71.4gf).



SECTION A-A
SCALE 1:1



DETAIL B
SCALE 5:1

CKTS (For 0.5Pitch)	B0±0.10	W	W1	F	S0±0.10
4	6.60	16±0.15	16.4	7.5±0.10	单边孔
5	7.10				
6	7.60				
7	8.10				
8	8.60				
9	9.10				
10	9.60				
11	10.10				
12	10.60				
13	11.10				
14	11.60	24±0.15	24.4	11.5±0.10	单边孔
15	12.10				
16	12.60				
17	13.10				
18	13.60				
19	14.10				
20	14.60				
21	15.10				
22	15.60				
23	16.10				
24	16.60	32±0.30	32.4	14.2±0.10	28.4
25	17.10				
26	17.60				
27	18.10				
28	18.60				
29	19.10				
30	19.60				
31	20.10				
32	20.60				
33	21.10				
34	21.60	44±0.30	44.4	20.2±0.15	40.4
35	22.10				
36	22.60				
37	23.10				
38	23.60				
39	24.10				
40	24.60				
41	25.10				
42	25.60				
43	26.10				
44	26.60	56±0.30	56.4	26.2±0.15	52.4
45	27.10				
46	27.60				
47	28.10				
48	28.60				
49	29.10				
50	29.60				
51	30.10				
52	30.60				
53	31.10				
54	31.60				
55	32.10				
56	32.60				
57	33.10				
58	33.60				
59	34.10				
60	34.60				

CLASSIFICATION DIMENSION (尺寸类别):
 FAT (首次检验): ⊗ To ⊗
 ■ MARK IS MAJOR DIM (重点尺寸标示)
 ⊕ MARK IS CRITICAL DIM (Cpk&Cp标示)

Tolerance Unspecified (未注公差)
 0.0 ±0.10 0° ±3°
 0.00 ±0.05 0° 0 ±2°
 0.000 ±0.02 0° 0.00 ±1°

Size (图幅): A4
 Unit (单位): MM
 Scale (比例): 1:1
 Page (页数): 1 OF 1
 Project View (投影视角):

深圳市钜硕电子有限公司
SHENZHEN JUSHUO ELECTRONIC CO.,LTD

Product Name (产品名称): 0.5Pitch H=1.75 FPC/FFC 掀盖卧式5代SMT型.载带

Product No (产品料号): AFC79-S**F***-**

Drawing No (图面编号): DNE00092-1 Date (日期): 2019/11/07

Designer (设计): 吴小光 Checked (审核): Approved (核准):

Rev 版本	Date 日期	Revisor 制/修订人
1.0	2019/11/07	吴小光

X-ON Electronics

Largest Supplier of Electrical and Electronic Components

Click to view similar products for [FFC & FPC Connectors](#) category:

Click to view products by [JUSHUO](#) manufacturer:

Other Similar products are found below :

[00-6200-227-022-800](#) [006205250500825+](#) [006205280500825+](#) [FPH-1602G](#) [086222026001800](#) [52610-0675](#) [62674-201121DLF](#) [52746-1671-TR250](#) [10051922-1610EHLF](#) [10051922-2810EHLF](#) [686322124422](#) [XF3M-2915-1B-R100](#) [AYF353125A](#) [AYF530665TA](#) [AYF534065TA](#) [20FLH-RSM1-TB](#) [PCA-7F-25-HL-3-G](#) [207356-1](#) [52807-0430](#) [502250-8027](#) [FH28K-40S-0.5SH](#) [200528-0260](#) [FH28K-10S-0.5SH](#) [501951-1250](#) [X05B20U43T](#) [0.5K-DX-30PWB](#) [DS1020-08-10VBT12](#) [THD0515-34CL-GF](#) [X05A10L28G](#) [ECC2841061EU](#) [20539-030E-01](#) [1.0K-DHGX-16PWB](#) [1.0K-DHGX-30PWB](#) [1775333-6](#) [10054365-202110ELF](#) [10054365-242110ELF](#) [10054365-282110ELF](#) [10064555-392220HLF](#) [59453-041110EBHLF](#) [59453-091110EDHLF](#) [62674-241141ALF](#) [62684-432100ALF](#) [62684-451100AHLF](#) [62684-5721N0ALF](#) [HFW11R-1STE1MTLF](#) [HFW12R-1STE9LF](#) [HFW14R-1STE9MTLF](#) [HFW18S-2STE9LF](#) [HFW20R-1STAE1HLF](#) [HFW20R-1STE1MTLF](#)