

- NOTES:
- MATERIAL:
    - HOUSING: HALOGEN FREE PLASTIC,UL94V-0
    - LATCH: HALOGEN FREE PLASTIC,UL94V-0
    - CONTACT: COPPER ALLOY
    - FITTING NAIL: COPPER ALLOY
  - Finish:
    - Terminal:
      - 50~100u" Nickel under plating over all
      - l:Gold flash on contact and solder area.
      - C:80~150u" Matte tin oncontact and sold area
    - Fitting Nail:
      - 50~100u" Nickel under plating over all
      - 80~150u" Matte-Tin over all.
  - Product must comply HF RoHS specification.
  - Product No:

AFC92-S \*\* F \* \* - \*\*

CKTS                   \*\*   F   \*   \*   -   \*\*

CONTACTS TYPE   F:LOWER

PLATING            I:Gold flash  
C:Matte tin

PACKING            A:Tape&Reel  
C:Tube

REMARKS  
MY:Halogen free  
Housing White  
Latch Black  
Without Logo

CKT	DIM A	DIM B	DIM C	DIM D
06	7.10	2.50	3.60	6.00
08	8.10	3.50	4.60	7.00
10	9.10	4.50	5.60	8.00
22	15.10	10.50	11.60	14.00
24	16.10	11.50	12.60	15.00
25	16.60	12.00	13.10	15.50
28	18.10	13.50	14.60	17.00
30	19.10	14.50	15.60	18.00
31	19.60	15.00	16.10	18.50
32	20.10	15.50	16.60	19.00
33	20.60	16.00	17.10	19.50
34	21.10	16.50	17.60	20.00
35	21.60	17.00	18.10	20.50
36	22.10	17.50	18.60	21.00
37	22.60	18.00	19.10	21.50
38	23.10	18.50	19.60	22.00
39	23.60	19.00	20.10	22.50
40	24.10	19.50	20.60	23.00
45	26.60	22.00	23.10	25.50
46	27.10	22.50	23.60	26.00
50	29.10	24.50	25.60	28.00
51	29.60	25.00	26.10	28.50
52	30.10	25.50	26.60	29.00
53	30.60	26.00	27.10	29.50
54	31.10	26.50	27.60	30.00
55	31.60	27.00	28.10	30.50
56	32.10	27.50	28.60	31.00

**CUSTOMER DRAWING**

深圳市钜硕电子有限公司  
SHENZHEN JUSHUO ELECTRONIC CO.,LTD

Product Name(产品名称): 0.5Pitch H=1.50 FPC/FFC Easy-on R/A Type7 SMT Conn

Product No(产品料号): AFC92-S\*\*F\*\*--\*\*

Designer(设计): 张孝雄   Checked(审核):   Approved(核准):

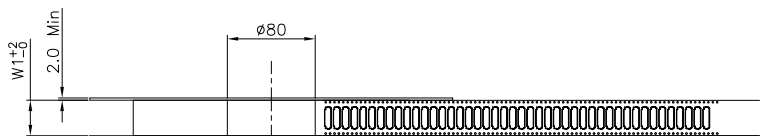
Tolerance Unspecified (未注公差): 0.0 ±0.25 0° ±5°   0.00 ±0.15 0° ±3°   0.000 ±0.10 0° ±1°

Size(图幅): Unit(单位): MM   Scale(比例): 1:1

Project View (投影视角): 1 OF 1   Page(页数): 1

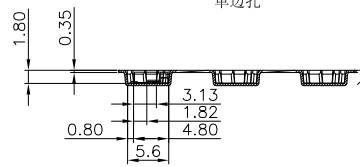
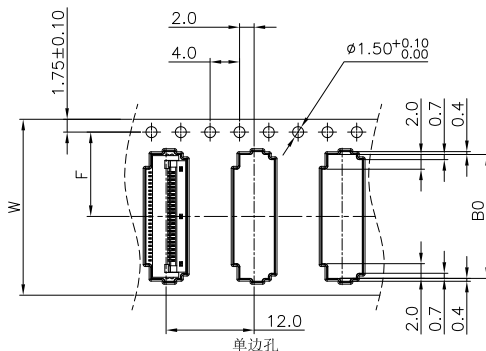
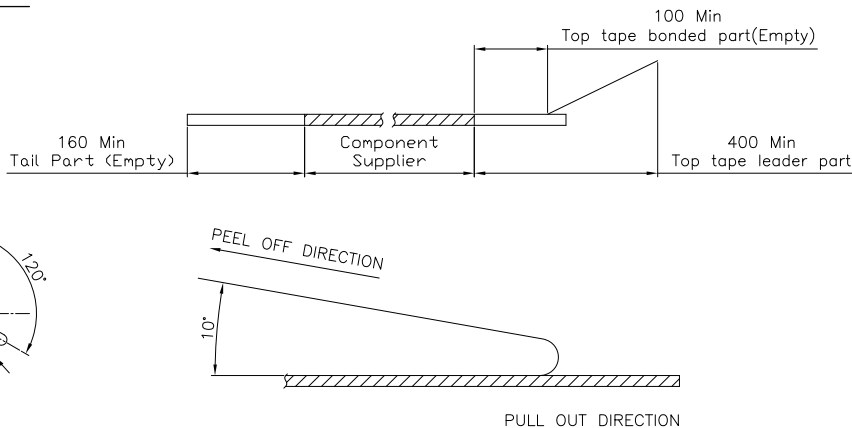
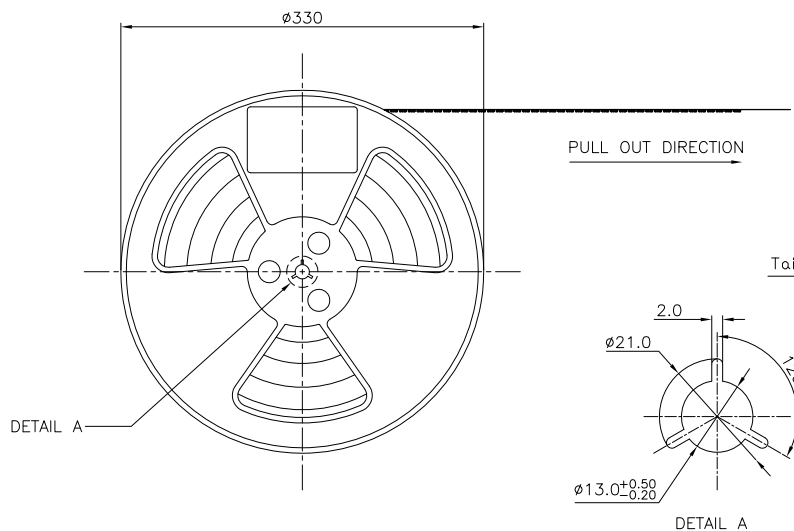
Rev(版本): A

Rev	Change Description	Date	Revisor
版本	变更内容	日期	制/修订人
A	Original Issue	2021/07/29	张孝雄



NOTES:

1. 10 SPROCKET HOLE PITCH CUMULATIVE TOLERANCE. ±0.20mm
2. CARRIER CAMBER NOT TO EXCEED 1mm IN 250mm.
3. ALL DIMENSIONS MEET EIA-481-C REQUIREMENTS.
4. MATERIAL: BLACK ANTI-STATIC POLYSTYRENE.
5. THICKNESS: 0.35 ± 0.05 mm.
6. PACKING LENGTH PER 13" REEL: 24.60 METERS.
7. COMPONENT LOAD PER 13" REEL: 2000PCS
8. PEELING OFF FORCE OF TOP TAPE 0.1N~0.7N(10.2gf~71.4gf).



SECTION A-A  
SCALE 1:1

CKTS	BO ± 0.10	W	W1	F	S0 ± 0.10
4	6.40	24 ± 0.30	24.4	11.5 ± 0.10	单边孔
5	6.90				
6	7.40				
7	7.90				
8	8.40				

CLASSIFICATION DIMENSION (尺寸类别):  
 FAT (首次检验): ☉ To ☉  
 ■ MARK IS MAJOR DIM (重点尺寸标示)  
 ● MARK IS CRITICAL DIM (Cpk&Cp 标示)

Tolerance Unspecified (未注公差)	Size (图幅): A4
0.0 ± 0.10 0°. ± 3°	Unit (单位): MM
0.00 ± 0.05 0°. ± 2°	Scale (比例): 1:1
0.000 ± 0.02 0°.00 ± 1°	Page (页数): 1 OF 1
Project View (投影视角)	Rev (版本): 1.0

**深圳市钜硕电子有限公司**  
 SHENZHEN JUSHU ELECTRONIC CO., LTD

Product Name (产品名称): 0.5Pitch H=1.5 FPC/FPC 掀盖卧式8代SMT型. 载带		
Product No (产品料号): AFC92-S**#1***		
Drawing No (图面编号): DNE000**.*	Date (日期): 2021/07/29	
Designer (设计): 吴小光	Checked (审核):	Approved (核准):

Rev 版本	Change Description 变更内容	Date 日期	Revisor 制/修订人
1.0	初版发行	2021/07/29	吴小光



## X-ON Electronics

Largest Supplier of Electrical and Electronic Components

*Click to view similar products for [FFC & FPC Connectors](#) category:*

*Click to view products by [JUSHUO](#) manufacturer:*

Other Similar products are found below :

[00-6200-227-022-800](#) [006205250500825+](#) [006205280500825+](#) [FPH-1602G](#) [086222026001800](#) [52610-0675](#) [62674-201121DLF](#) [52746-1671-TR250](#) [10051922-1610EHLF](#) [10051922-2810EHLF](#) [686322124422](#) [XF3M-2915-1B-R100](#) [AYF353125A](#) [AYF530665TA](#) [AYF534065TA](#) [20FLH-RSM1-TB](#) [207356-1](#) [SFW12R-5STE9LF](#) [SFW18R-1STAE9LF](#) [SFW4R-5STE9LF](#) [52807-0430](#) [046283021002868+](#) [FFC05011-10SBB114W5M](#) [502250-8027](#) [67000-008LF](#) [200528-0260](#) [FH28K-10S-0.5SH](#) [FH52K-6S-0.5SH](#) [0.5K-DX-30PWB](#) [DS1020-08-10VBT12](#) [THD0515-34CL-GF](#) [X05A10L28G](#) [ECC2841061EU](#) [1.0K-DHQX-16PWB](#) [1.0K-DHQX-30PWB](#) [1775333-6](#) [10054365-202110ELF](#) [10054365-242110ELF](#) [10054365-282110ELF](#) [10064555-392220HLF](#) [59453-041110EBHLF](#) [59453-091110EDHLF](#) [62674-241141ALF](#) [62684-432100ALF](#) [62684-451100AHLF](#) [62684-5721N0ALF](#) [HFW11R-1STE1MTLF](#) [HFW12R-1STE9LF](#) [HFW14R-1STE9MTLF](#) [HFW18S-2STE9LF](#)