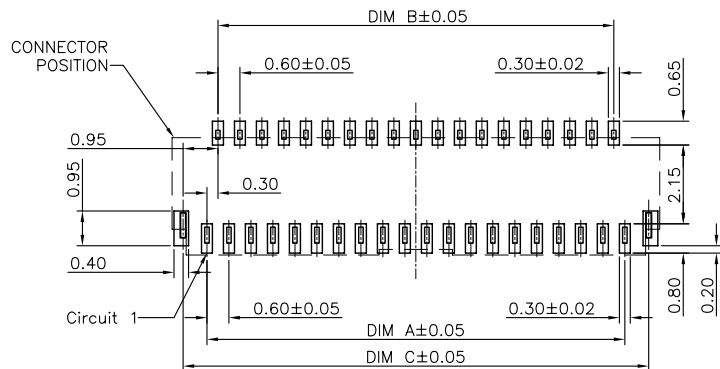
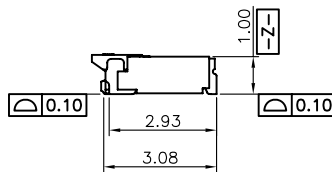
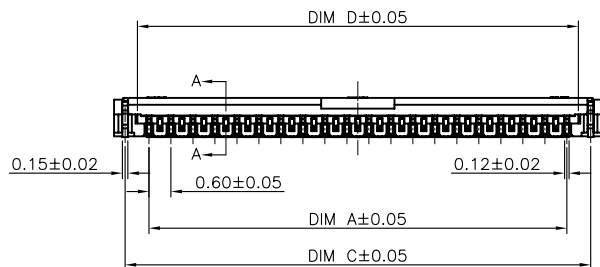
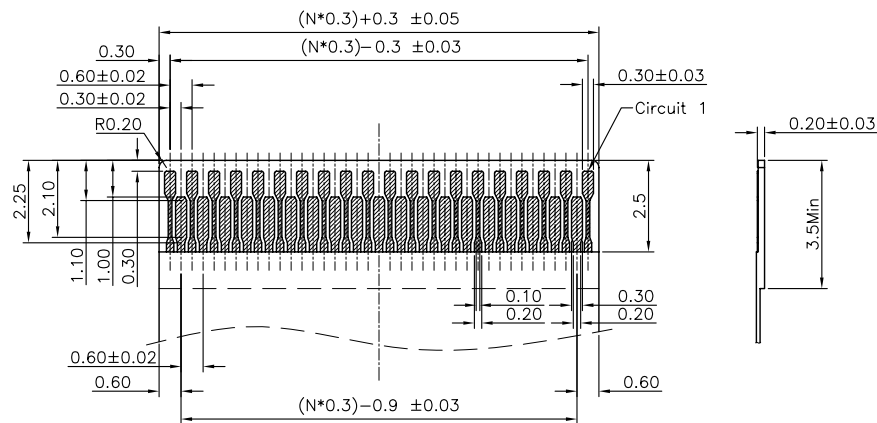


SECTION A-A  
SCALE 1:1



RECOMMENDED P.C.B PATTERN LAYOUT



RECOMMENDED FPC/FFC DIMENSION

**Note:**

**1. Material:**

- 1.1 Housing: thermoplastic high temp.UL94V-0; Color: natural/black.
- 1.2 Latch: thermoplastic high temp.UL94V-0; Color: black.
- 1.3 Terminal: copper alloy.
- 1.4 Fitting Nail: copper alloy.

**2. Finish:**

- 2.1 Terminal:  
Underplating: Gold flash overall.
- 2.2 Fitting Nail:  
Underplating: matt Tin overall.

**3. Product must comply HF RoHS specification.**

**4. Product No:**

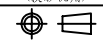
AFE03-S \*\* F \* A - 00  
 CKTS CONTACTS TYPE PLATING PACKING  
 1:Gold flash 1u" 1:Gold point 1u" A:Tape&Reel  
 2:Gold flash 2u" 2:Gold point 2u" C:Tube  
 3:Gold flash 3u" 3:Gold point 3u" E:Tape&Reel With Mylar  
 4:Gold flash 5u" 4:Gold point 4u" G:Tube With Mylar  
 I:Gold point 1u"  
 J:Gold point 2u"  
 K:Gold point 3u"  
 L:Gold point 4u"  
 M:Gold point 5u"

CKTS	DIM A	DIM B	DIM C	DIM D	DIM E
13	3.60	3.00	4.90	4.23	5.50
15	4.20	3.60	5.50	4.83	6.10
17	4.80	4.20	6.10	5.43	6.70
19	5.40	4.80	6.70	6.03	7.30
21	6.00	5.40	7.30	6.63	7.90
23	6.60	6.00	7.90	7.23	8.50
25	7.20	6.60	8.50	7.83	9.10
27	7.80	7.20	9.10	8.43	9.70
29	8.40	7.80	9.70	9.03	10.30
31	9.00	8.40	10.30	9.63	10.90
33	9.60	9.00	10.90	10.23	11.50
35	10.20	9.60	11.50	10.83	12.10
37	10.80	10.20	12.10	11.43	12.70
39	11.40	10.80	12.70	12.03	13.30
41	12.00	11.40	13.30	12.63	13.90
43	12.60	12.00	13.90	13.23	14.50
45	13.20	12.60	14.50	13.83	15.10
47	13.80	13.20	15.10	14.43	15.70
49	14.40	13.80	15.70	15.03	16.30
51	15.00	14.40	16.30	15.63	16.90
53	15.60	15.00	16.90	16.23	17.50
55	16.20	15.60	17.50	16.83	18.10
57	16.80	16.20	18.10	17.43	18.70
59	17.40	16.80	18.70	18.03	19.30
61	18.00	17.40	19.30	18.63	19.90
63	18.60	18.00	19.90	19.23	20.50
65	19.20	18.60	20.50	19.83	21.10
67	19.80	19.20	21.10	20.43	21.70
69	20.40	19.80	21.70	21.03	22.30
71	21.00	20.40	22.30	21.63	22.90

**CUSTOMER DRAWING**

Tolerance Unspecified (未注公差)	Size (图幅): A4	Product Name (产品名称): 0.3Pitch H=1.0 FPC Easy-on R/A Type2 SMT CONN
0.0 ±0.15 0° ±5°	Unit (单位): MM	
0.00 ±0.10 0° ±3°	Scale (比例): 1:1	Product No (产品料号): AFE03-S**F**--**
0.000 ±0.05 0° 0° ±1°	Project View (投影视角): 1 OF 1	Designer (设计): Allan 05/08'15
Rev (版本)	Rev (版本): A	Checked (审核):
Original Issue	Date: 2015/05/08	Revised (修订):
Change Description (变更内容)	Revisor: Allan	Approved (核准):

Rev	Date	Revised
1	2015/05/08	Allan



## X-ON Electronics

Largest Supplier of Electrical and Electronic Components

*Click to view similar products for [FFC & FPC Connectors](#) category:*

*Click to view products by [JUSHUO](#) manufacturer:*

Other Similar products are found below :

[00-6200-227-022-800](#) [006205250500825+](#) [006205280500825+](#) [FPH-1422G](#) [FPH-1602G](#) [FPH-2022G](#) [52610-1075](#) [52610-1275](#) [52610-1934](#)  
[501864-3091-TR225](#) [086222026001800](#) [52610-0675](#) [62674-201121DLF](#) [62684-36210E9ALF](#) [52746-1671-TR250](#) [10051922-2810EHLF](#) [6-](#)  
[520415-9](#) [686322124422](#) [XF3M-2915-1B-R100](#) [AYF353125A](#) [AYF530665TA](#) [AYF534065TA](#) [AYF351525](#) [086212040340800+](#)  
[AYF530365TA](#) [67000-004LF](#) [006207341915000+](#) [207356-1](#) [67000-003LF](#) [HFW14R-2STE9LF](#) [SFW12R-5STE9LF](#) [SFW18R-1STAE9LF](#)  
[SFW4R-5STE9LF](#) [52807-0430](#) [046283021002868+](#) [502250-8027](#) [104267-9617](#) [66987-011LF](#) [HFW8S-2STAE1HLF](#) [67000-008LF](#)  
[HFW22R-2STE1H1LF](#) [0781271110](#) [5019511030](#) [200528-0260](#) [5039084120](#) [503908-5120](#) [SFW20R-1STGE5LF](#) [FH12-18S-0.5SH](#)  
[686116183522](#) [FH64MA-11S-0.25SHW](#)