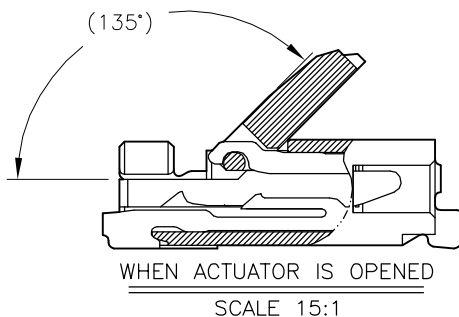
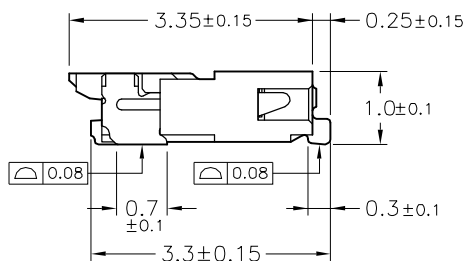
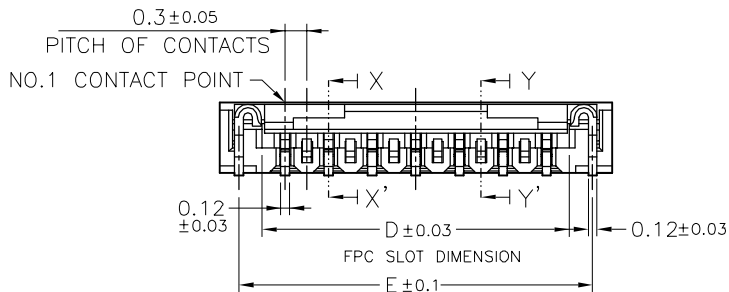
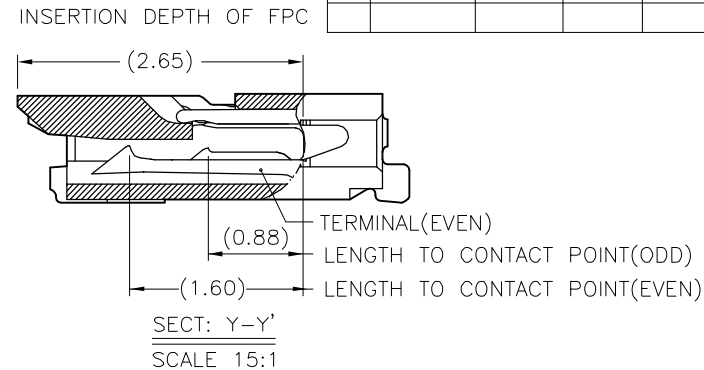
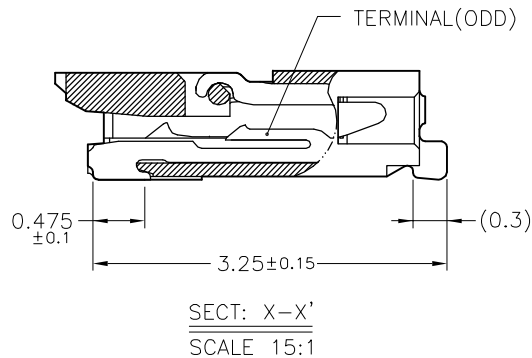
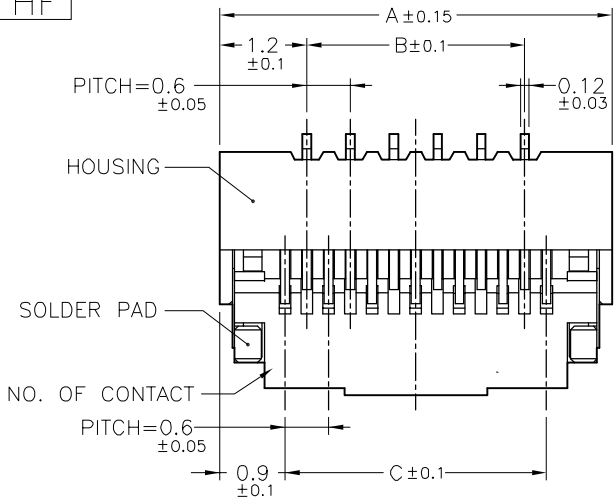


HF

REV.	ECO NO.	DATE	SIGN	DESCRIPTION
A	-	20181101	Elven	Release



NO. OF CONTACTS	PART NUMBER	DIM. A	DIM. B	DIM. C	DIM. D	DIM. E
09		4.2	1.8	2.4	3.03	3.7
11	AFH26-S11FIA-1H	4.8	2.4	3.0	3.63	4.3
13		5.4	3.0	3.6	4.23	4.9
15		6.0	3.6	4.2	4.83	5.5
17		6.6	4.2	4.8	5.43	6.1
19	AFH26-S19FIA-1H	7.2	4.8	5.4	6.03	6.7
21		7.8	5.4	6.0	6.63	7.3
23		8.4	6.0	6.6	7.23	7.9
25		9.0	6.6	7.2	7.83	8.5
27		9.6	7.2	7.8	8.43	9.1
29		10.2	7.8	8.4	9.03	9.7
31		10.8	8.4	9.0	9.63	10.3
33		11.4	9.0	9.6	10.23	10.9
35		12.0	9.6	10.2	10.83	11.5
37		12.6	10.2	10.8	11.43	12.1
39		13.2	10.8	11.4	12.03	12.7
41		13.8	11.4	12.0	12.63	13.3
43		14.4	12.0	12.6	13.23	13.9
45		15.0	12.6	13.2	13.83	14.5
49		16.2	13.8	14.4	15.03	15.7
51		16.8	14.4	15.0	15.63	16.3
57		18.6	16.2	16.8	17.43	18.1
61		19.8	17.4	18.0	18.63	19.3
67		21.6	19.2	19.8	20.43	21.1
71		22.8	20.4	21.0	21.63	22.3

NOTE:

- MATERIAL:  
HOUSING:LCP(UL 94V-0)  
ACTUATOR:LCP(UL 94V-0)  
TERMINAL:PHOSPHOR BRONZE  
STOPPER:PHOSPHOR BRONZE
- PLATING:  
TERMINAL:SEE ORDERING INFORMATION  
STOPPER:TIN OVER NICKEL(LEAD FREE)
- PART NO. :

AFH26 - S \*\* F I A -1H

Remarks: 1H=Housing  
HF:Halogen free  
Packing: A=Tape & rell C=tube  
Gold flash I=1u"AU M=5U"AU  
Right Angle Lower Contact Type  
NO.of contacts  
Series name  
FPC Series Pitch=0.3mm

备注：现目前生产PIN位为（11P；19P）

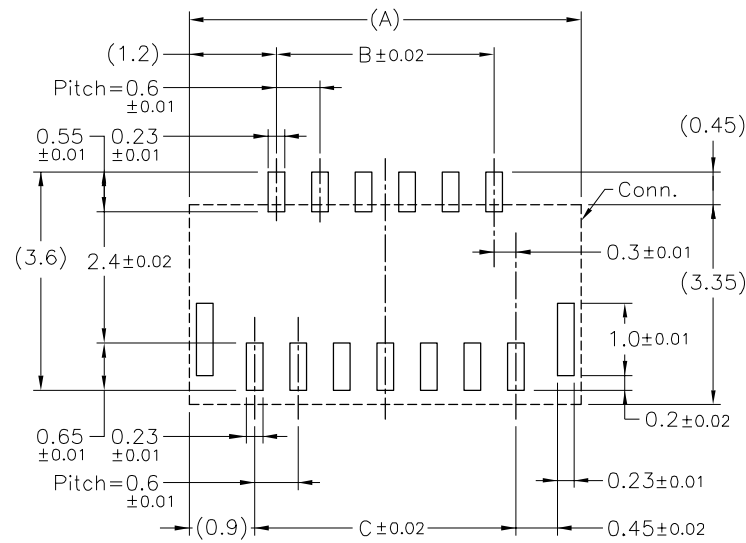
TOLERANCE UNLESS SPECIFIED	SHEET 1/5	DR. BY 王億仁	MATERIAL See Note 1.
LINEAR ANGLE	SCALE 10/1	CHK. BY 詹文耀	FINISH See Note 2.
X XX X* XX XX XX X* XX XXXXX XX* XX	UNIT mm	APP. BY 詹文耀	PART NO. See Note 3.

深圳市钜硕电子有限公司  
SHENZHEN JUSHUO ELECTRONIC CO.,LTD

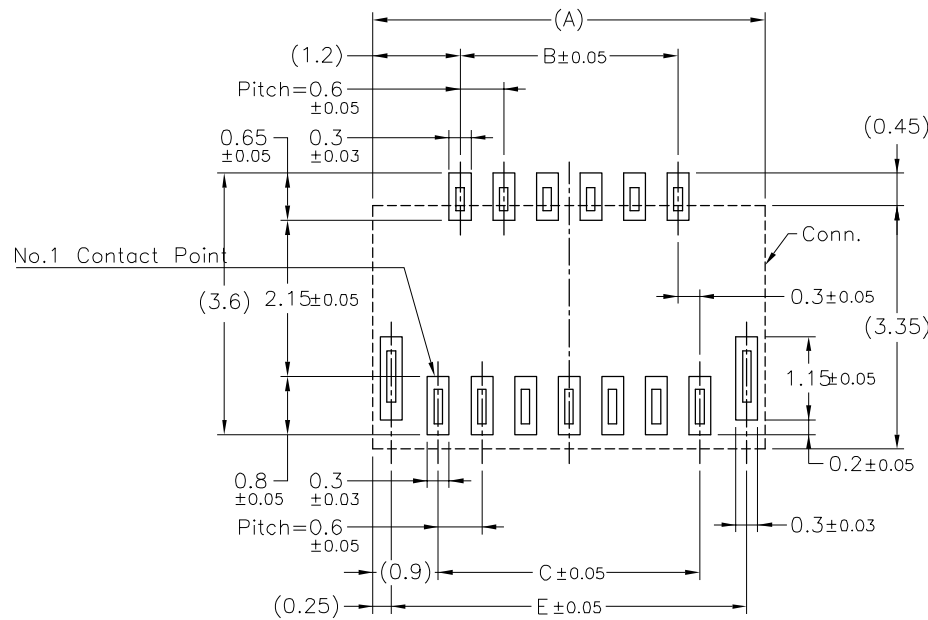
TITLE 0.3mm Pitch FPC Conn. E/O (H=1.0)  
DWG NO. AFH26-S\*\*FIA-1H

HF

REV.	ECO NO.	DATE	SIGN	DESCRIPTION
A	-	20181101	Elven	Release



RECOMMENDED METAL MASK PATTERN



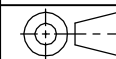
No.1 Contact Point

↑  
FPC/FFC INSERT DIRECTION  
PCB LAYOUT

NO. OF CONTACTS	PART NUMBER	DIM. A	DIM. B	DIM. C	DIM. E
09		4.2	1.8	2.4	3.7
11	AFH26-S11FIA-1H	4.8	2.4	3.0	4.3
13		5.4	3.0	3.6	4.9
15		6.0	3.6	4.2	5.5
17		6.6	4.2	4.8	6.1
19	AFH26-S19FIA-1H	7.2	4.8	5.4	6.7
21		7.8	5.4	6.0	7.3
23		8.4	6.0	6.6	7.9
25		9.0	6.6	7.2	8.5
27		9.6	7.2	7.8	9.1
29		10.2	7.8	8.4	9.7
31		10.8	8.4	9.0	10.3
33		11.4	9.0	9.6	10.9
35		12.0	9.6	10.2	11.5
37		12.6	10.2	10.8	12.1
39		13.2	10.8	11.4	12.7
41		13.8	11.4	12.0	13.3
43		14.4	12.0	12.6	13.9
45		15.0	12.6	13.2	14.5
49		16.2	13.8	14.4	15.7
51		16.8	14.4	15.0	16.3
57		18.6	16.2	16.8	18.1
61		19.8	17.4	18.0	19.3
67		21.6	19.2	19.8	21.1
71		22.8	20.4	21.0	22.3

TOLERANCE UNLESS SPECIFIED	SHEET 2/5	DR. BY 王億仁	MATERIAL
LINEAR	SCALE 10/1	CHK. BY 詹文耀	FINISH
ANGLE	UNIT mm	APP. BY 詹文耀	PART NO.
X XX			
XX XX			
XXXXX			

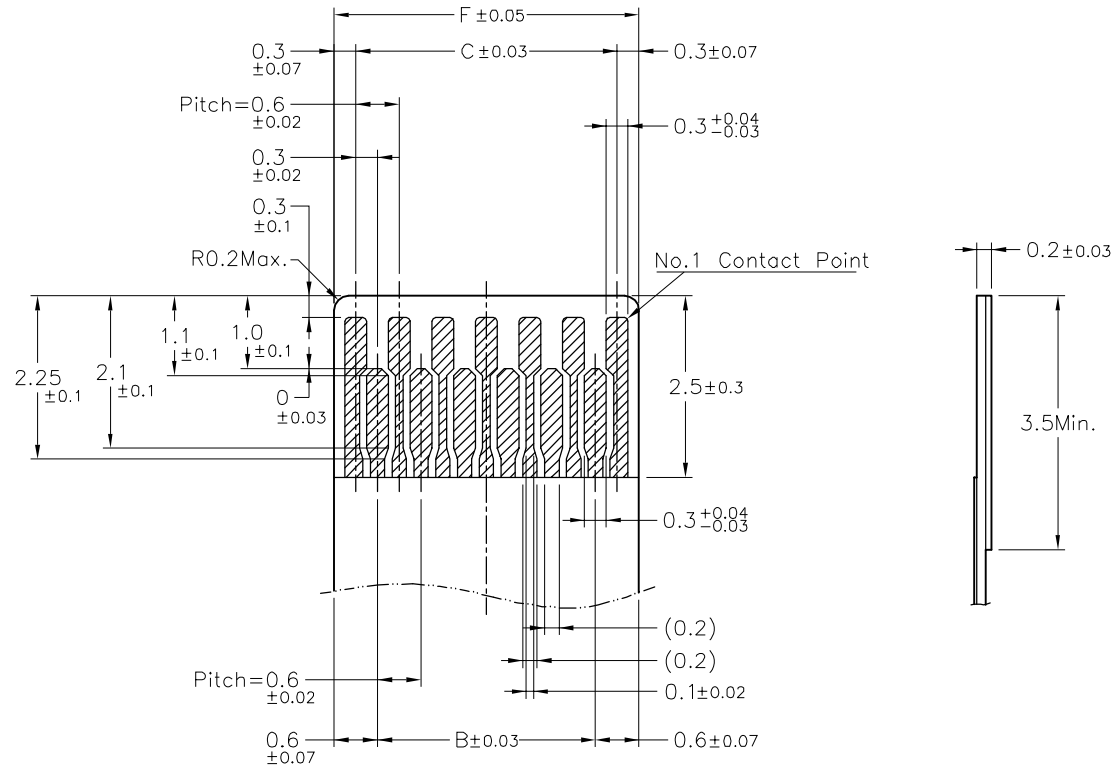
深圳市钜硕电子有限公司  
SHENZHEN JUSHUO ELECTRONIC CO.,LTD



TITLE 0.3mm Pitch FPC Conn. E/O (H=1.0)  
DWG NO. AFH26-S\*\*FIA-1H

HF

REV.	ECO NO.	DATE	SIGN	DESCRIPTION
A	-	20181101	Elven	Release



NO. OF CONTACTS	PART NUMBER	DIM. B	DIM. C	DIM. F
09		1.8	2.4	3.0
11	AFH26-S11FIA-1H	2.4	3.0	3.6
13		3.0	3.6	4.2
15		3.6	4.2	4.8
17		4.2	4.8	5.4
19	AFH26-S19FIA-1H	4.8	5.4	6.0
21		5.4	6.0	6.6
23		6.0	6.6	7.2
25		6.6	7.2	7.8
27		7.2	7.8	8.4
29		7.8	8.4	9.0
31		8.4	9.0	9.6
33		9.0	9.6	10.2
35		9.6	10.2	10.8
37		10.2	10.8	11.4
39		10.8	11.4	12.0
41		11.4	12.0	12.6
43		12.0	12.6	13.2
45		12.6	13.2	13.8
49		13.8	14.4	15.0
51		14.4	15.0	15.6
57		16.2	16.8	17.4
61		17.4	18.0	18.6
67		19.2	19.8	20.4
71		20.4	21.0	21.6

APPLICABLE FPC

TOLERANCE UNLESS SPECIFIED		SHEET 3/5	DR. BY 王億仁	MATERIAL
LINEAR	ANGLE	SCALE 10/1	CHK. BY 詹文耀	FINISH
X XX	X° XX	UNIT mm	APP. BY 詹文耀	PART NO.
XX XX	X° XX			
XXXXX	.XX° XX			

**深圳市钜硕电子有限公司**  
SHENZHEN JUSHUO ELECTRONIC CO.,LTD

	TITLE 0.3mm Pitch FPC Conn. E/O (H=1.0)
	DWG NO. AFH26-S**FIA-1H

## X-ON Electronics

Largest Supplier of Electrical and Electronic Components

*Click to view similar products for [FFC & FPC Connectors](#) category:*

*Click to view products by [JUSHUO](#) manufacturer:*

Other Similar products are found below :

[00-6200-227-022-800](#) [006205250500825+](#) [006205280500825+](#) [FPH-1602G](#) [FPH-2022G](#) [52610-1275](#) [501864-3091-TR225](#)  
[086222026001800](#) [52610-0675](#) [62674-201121DLF](#) [62684-36210E9ALF](#) [52746-1671-TR250](#) [10051922-2810EHLF](#) [686322124422](#) [XF3M-](#)  
[2915-1B-R100](#) [AYF353125A](#) [AYF530665TA](#) [AYF534065TA](#) [AYF351525](#) [086212040340800+](#) [AYF530365TA](#) [67000-004LF](#)  
[006207341915000+](#) [207356-1](#) [67000-003LF](#) [HFW14R-2STE9LF](#) [SFW12R-5STE9LF](#) [SFW18R-1STAE9LF](#) [SFW4R-5STE9LF](#) [52807-0430](#)  
[046283021002868+](#) [502250-8027](#) [104267-9617](#) [66987-011LF](#) [HFW8S-2STAE1HLF](#) [67000-008LF](#) [HFW22R-2STE1H1LF](#) [0781271110](#)  
[5019511030](#) [200528-0260](#) [5039084120](#) [503908-5120](#) [SFW20R-1STGE5LF](#) [FH12-18S-0.5SH](#) [686116183522](#) [FH64MA-11S-0.25SHW](#)  
[686114183522](#) [502078-5362](#) [FH52K-68S-0.5SH](#) [FH26W-23S-0.3SHW\(60\)](#)