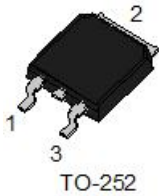
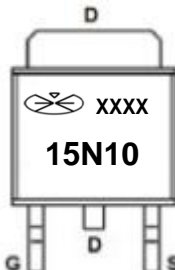
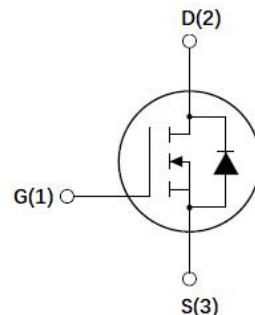




# 15N10

## N-Channel Mode Power MOSFET

<p><b>Features</b></p> <ul style="list-style-type: none"> <li>• <math>R_{DS(ON)}=0.11\Omega@V_{GS}=10V</math></li> <li>• Lower gate charge(Typ=24nC)</li> <li>• Lower <math>C_{RSS}</math>(Typ=23pF)</li> <li>• High switching speed</li> </ul>	<p><b>Application</b></p> <ul style="list-style-type: none"> <li>• Power switching application</li> </ul>
<p><b>Package</b></p> <div style="display: flex; justify-content: space-around; align-items: center;">    </div>	

### Package Marking and Ordering Information

Product ID	PACK	Qty (pcs)
15N10	TO-252	2500

### MAXIMUM RATINGS(Ta=25°C unless otherwise noted)

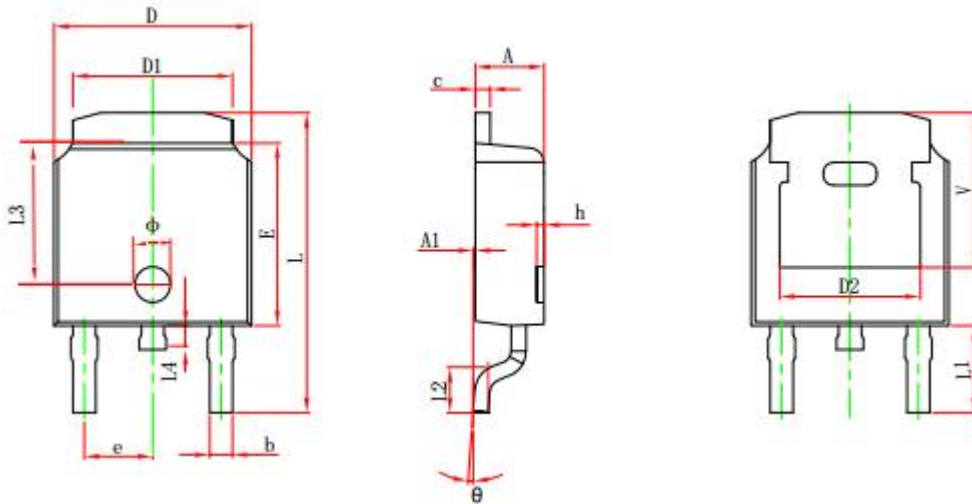
Symbol	Parameter	Value	Unit	
$V_{DS}$	Drain-Source Voltage	100	V	
$V_{GS}$	Gate-Source Voltage	±20	V	
$I_D$	Continuous Drain Current(Tc=25°C, Tj=150°C)	14.7	A	
	Continuous Drain Current(Tc=70°C, Tj=150°C)	13.6	A	
$I_{DM}$	Pulsed Drain Current	59	A	
$P_D$	Power Dissipation	Tc=25°C	34.7	W
		Tc=70°C	22.2	W
$T_j$	Junction Temperature	-55 to 150	°C	
$T_{stg}$	Storage Temperature			
$R_{\theta JA}$	Thermal Resistance From Junction To Ambient	62.5	°C/W	
$R_{\theta JC}$	Thermal Resistance From Junction To Case	3.6	°C/W	

**15N10****N-Channel Mode Power MOSFET****MOSFET ELECTRICAL CHARACTERISTICS (Ta=25°C unless otherwise specified)**

Parameter	Symbol	Test conditions	Min	Typ	Max	Unit
<b>Off characteristics</b>						
Drain-Source breakdown Voltage	BV <sub>DSS</sub>	V <sub>GS</sub> =0V, I <sub>D</sub> =250μA	100			V
Drain-Source diode forward Voltage	V <sub>SD</sub>	V <sub>GS</sub> =0V, I <sub>S</sub> =8.0A		1.0	1.2	V
Zero gate voltage drain current	I <sub>DSS</sub>	V <sub>DS</sub> =80V, V <sub>GS</sub> =0V			1	μA
Gate-body leakage current	I <sub>GSS</sub>	V <sub>DS</sub> =0V, V <sub>GS</sub> =±20V			±100	nA
<b>On characteristics</b>						
Gate-threshold voltage	V <sub>GS(th)</sub>	V <sub>DS</sub> =V <sub>GS</sub> , I <sub>D</sub> =250μA	1.0		3.0	V
Static Drain-Source On-Resistance	R <sub>DS(on)</sub>	V <sub>GS</sub> =10V, I <sub>D</sub> =1.0A		95	110	mΩ
Forward transconductance	g <sub>fs</sub>	V <sub>DS</sub> =40V, I <sub>D</sub> =3.5A	5			S
<b>DYNAMIC PARAMETERS</b>						
Reverse Transfer Capacitance	C <sub>RSS</sub>	V <sub>DS</sub> =15V, V <sub>GS</sub> =0V, f=1MHz		23		pF
<b>SWITCHING PARAMETERS</b>						
Total Gate Charge	Q <sub>G</sub>	V <sub>DS</sub> =80V, V <sub>GS</sub> =10V, I <sub>D</sub> =10A		24		nC

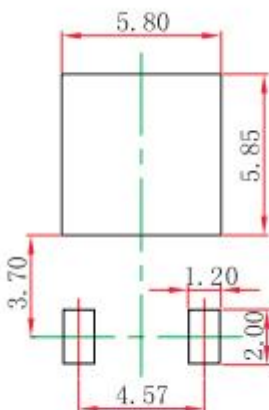


TO-252-2L Package Outline Dimensions



Symbol	Dimensions In Millimeters		Dimensions In Inches	
	Min.	Max.	Min.	Max.
A	2.200	2.400	0.087	0.094
A1	0.000	0.127	0.000	0.005
b	0.635	0.770	0.025	0.030
c	0.460	0.580	0.018	0.023
D	6.500	6.700	0.256	0.264
D1	5.100	5.460	0.201	0.215
D2	4.830 REF.		0.190 REF.	
E	6.000	6.200	0.236	0.244
e	2.186	2.386	0.086	0.094
L	9.712	10.312	0.382	0.406
L1	2.900 REF.		0.114 REF.	
L2	1.400	1.700	0.055	0.067
L3	4.460 REF.		0.1756 REF.	
L4	0.600	1.000	0.024	0.039
phi	1.100	1.300	0.043	0.051
theta	0°	8°	0°	8°
h	0.000	0.300	0.000	0.012
V	5.250 REF.		0.207 REF.	

TO-252-2L Suggested Pad Layout



Note:

1. Controlling dimension: in millimeters.
2. General tolerance: ± 0.05mm.
3. The pad layout is for reference purposes only.

## X-ON Electronics

Largest Supplier of Electrical and Electronic Components

*Click to view similar products for [MOSFET](#) category:*

*Click to view products by [Juxing Electronic Technology](#) manufacturer:*

Other Similar products are found below :

[IRFD120](#) [JANTX2N5237](#) [BUK455-60A/B](#) [MIC4420CM-TR](#) [VN1206L](#) [NDP4060](#) [SI4482DY](#) [IPS70R2K0CEAKMA1](#) [SQD23N06-31L-GE3](#)  
[TK16J60W,S1VQ\(O](#) [2SK2614\(Te16L1,Q\)](#) [DMN1017UCP3-7](#) [DMN1053UCP4-7](#) [SQJ469EP-T1-GE3](#) [NTE2384](#) [DMC2700UDMQ-7](#)  
[DMN2080UCB4-7](#) [DMN61D9UWQ-13](#) [US6M2GTR](#) [DMN31D5UDJ-7](#) [DMP22D4UFO-7B](#) [DMN1006UCA6-7](#) [DMN16M9UCA6-7](#)  
[STF5N65M6](#) [IRF40H233XTMA1](#) [STU5N65M6](#) [DMN6022SSD-13](#) [DMN13M9UCA6-7](#) [DMTH10H4M6SPS-13](#) [DMN2990UFB-7B](#)  
[IPB80P04P405ATMA2](#) [2N7002W-G](#) [MCAC30N06Y-TP](#) [MCQ7328-TP](#) [NTMC083NP10M5L](#) [NVMFS2D3P04M8LT1G](#) [BXP7N65D](#)  
[BXP4N65F](#) [AOL1454G](#) [WMJ80N60C4](#) [BXP2N20L](#) [BXP2N65D](#) [BXT1150N10J](#) [BXT1700P06M](#) [TSM60NB380CP](#) [ROG](#) [RQ7L055BGTCR](#)  
[DMNH15H110SK3-13](#) [SLF10N65ABV2](#) [BSO203SP](#) [BSO211P](#)