

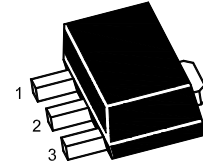


## 2SD882SQ

Silicon NPN Power Transistor

### Features.

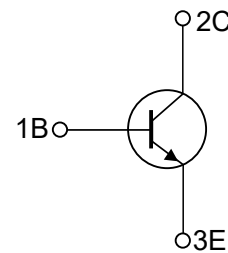
- High current output up to 3A
- Low saturation voltage
- Complement to 2SB772SQ



PIN1: Base PIN 2: Collector PIN 3: Emitter

### Applications

These devices are intended for use in audio frequency power amplifier and low speed switching applications



### Absolute Maximum Ratings (Ta=25°C unless otherwise specified)

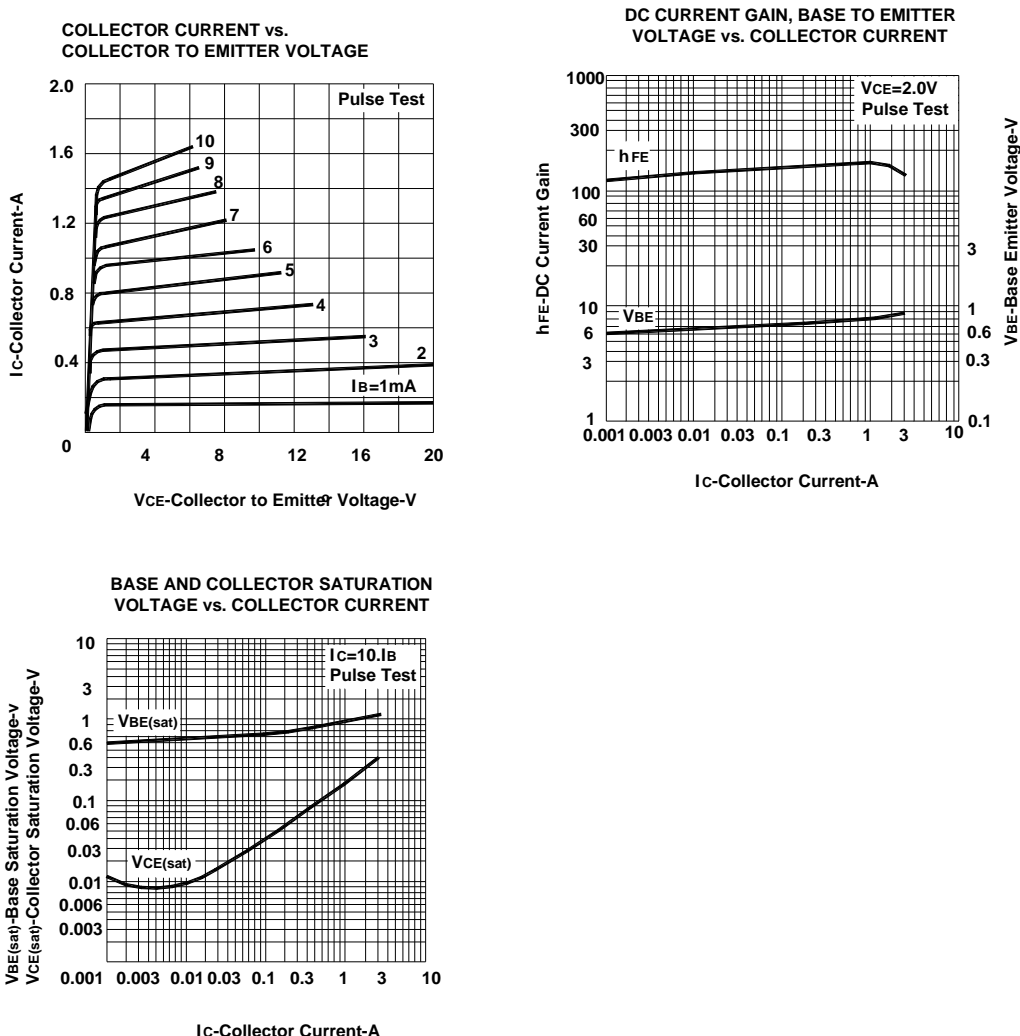
Parameter	Symbol	Rating	Unit
Collector to Base Voltage	$V_{CBO}$	40	V
Collector to Emitter Voltage	$V_{CEO}$	30	V
Emitter to Base Voltage	$V_{EBO}$	5	V
Collector Current-Continuous	$I_C$	3	A
Peak Collector Current	$I_{CP}$	7	A
Total Power Dissipation	$P_D$	1	W
Total Power Dissipation	$P_D (T_C=25^\circ\text{C})$	10	W
Junction Temperature	$T_J$	150	°C
Storage Temperature Range	$T_{STG}$	-55~150	°C



Electrical Characteristics (Ta=25°C unless otherwise specified)

Parameter	Symbol	Min.	Typ.	Max.	Unit
DC Current Gain at V <sub>CE</sub> = 2 V, I <sub>C</sub> = 20 mA	h <sub>FE</sub>	30	-	-	-
Current Gain Group at V <sub>CE</sub> = 2 V, I <sub>C</sub> = 1 A	R	60	-	120	-
	Q	100	-	200	-
	P	160	-	320	-
	E	200	-	400	-
	Collector Base Cutoff Current at V <sub>CB</sub> = 30 V	I <sub>CBO</sub>	-	-	1
Emitter Base Cutoff Current at V <sub>EB</sub> = 3 V	I <sub>EBO</sub>	-	-	1	μA
Collector Emitter Saturation Voltage at I <sub>C</sub> = 2 A, I <sub>B</sub> = 0.2 A	V <sub>CE(sat)</sub>	-	-	0.5	V
Base Emitter Saturation Voltage at I <sub>C</sub> = 2 A, I <sub>B</sub> = 0.2 A	V <sub>BE(sat)</sub>	-	-	2	V
Gain Bandwidth Product at V <sub>CE</sub> = 5 V, I <sub>C</sub> = 0.1 A	f <sub>T</sub>	-	90	-	MHz
Output Capacitance at V <sub>CB</sub> = 10 V, f = 1 MHz	C <sub>ob</sub>	-	45	-	pF

Typical Characteristic Curves



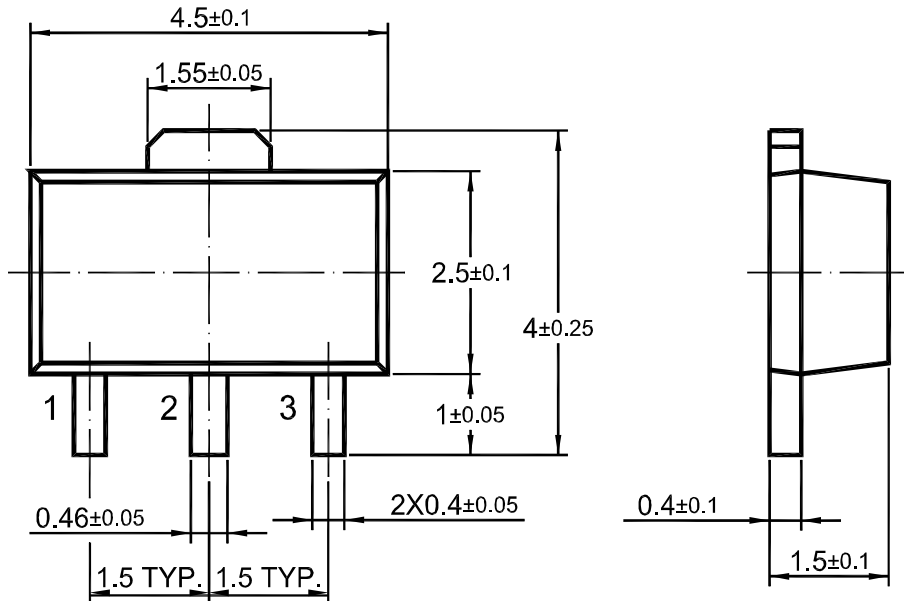


**2SD882SQ**

Silicon NPN Power Transistor

### Package Outline

SOT-89



### Ordering information

Device	Package	Shipping
2SD882SQ	SOT-89	1000PCS

## X-ON Electronics

Largest Supplier of Electrical and Electronic Components

*Click to view similar products for [Bipolar Transistors - BJT category](#):*

*Click to view products by [Juxing Electronic Technology manufacturer](#):*

Other Similar products are found below :

[BC559C](#) [MCH4017-TL-H](#) [MMBT-2369-TR](#) [BC546/116](#) [NJVMJD148T4G](#) [NTE16](#) [NTE195A](#) [IMX9T110](#) [2N4401-A](#) [2N4403](#) [2N6728](#)  
[2SA1419T-TD-H](#) [2SA2126-E](#) [2SB1204S-TL-E](#) [FMC5AT148](#) [2N2369ADCSM](#) [2N2907A](#) [2N3904-NS](#) [2N5769](#) [2SC4618TLN](#) [CPH6501-](#)  
[TL-E](#) [MCH4021-TL-E](#) [Jantx2N5416](#) [US6T6TR](#) [BAX18/A52R](#) [BC556/112](#) [IMZ2AT108](#) [MMST8098T146](#) [UMX21NTR](#) [MCH6102-TL-E](#)  
[TTA1452B,S4X\(S](#) [2N3879](#) [NTE13](#) [NTE282](#) [NTE323](#) [NTE350](#) [NTE81](#) [JANTX2N2920L](#) [JANTX2N3735](#) [JANSR2N2222AUB](#)  
[CMLT3946EG TR](#) [SNSS40600CF8T1G](#) [CMLT3906EG TR](#) [GRP-DATA-JANS2N2907AUB](#) [GRP-DATA-JANS2N2222AUA](#)  
[MMDT3946FL3-7](#) [2N4240](#) [JANS2N3019](#) [MSB30KH-13](#) [2N2221AUB](#)