



MBR60100PT THRU MBR60200PT 60A Schottky Rectifiers

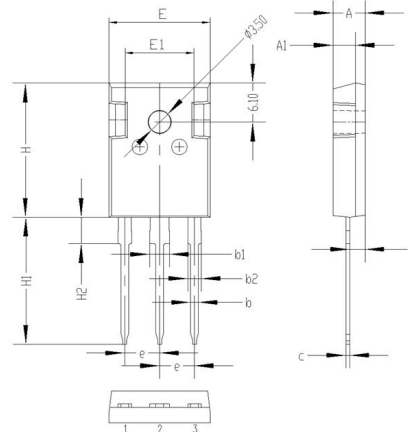
FEATURES

- High ESD capacity.
- High surge capacity.
- High junction temperature capability.
- High frequency operation.
- Low leakage current.
- High temperature soldering guaranteed:
260°C/10 second.

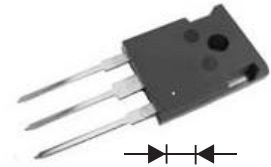
MECHANICAL DATA

- Case: TO-247AD Molded plastic
- Epoxy: UL 94V-0 rate flame retardant
- Lead: Solderable per MIL-STD-750,
method 2026
- Mounting position: Any
- Weight: 6.40 grams

TO-247AD



Symbol	Dimensions(millimeters)	
	Min.	Max.
A	4.80	5.20
A1	3.30	3.70
A2	2.10	2.50
b	1.00	1.40
b1	2.90	3.30
b2	1.90	2.30
c	0.40	0.80
e	5.25	5.65
E	15.6	16.0
E1	10.6	11.00
H	20.8	21.2
H1	19.4	20.4
H2	3.90	4.30
G	5.90	6.30
ΦP	3.30	3.70



MAXIMUM RATINGS AND ELECTRICAL CHARACTERISTICS

Rating at 25°C ambient temperature unless otherwise specified. Single, half wave, 60Hzm resistive or inductive load.
For capacitive load, derate current by 20%

Parameter	Symbols	MBR60100PT	MBR60150PT	MBR60200PT	Units
Maximum Recurrent Peak Reverse Voltage	V_{RRM}	100	150	200	Volts
Maximum RMS Voltage	V_{RMS}	70	105	140	Volts
Maximum DC Blocking Voltage	V_{DC}	100	150	200	Volts
Maximum Average Forward Rectified Current	I_F	60			Amp
Peak Forward surge current 8.3ms single half-sine-wave superimposed on rate load (JEDEC method)	I_{FSM}	400			Amp
Maximum Forward Voltage at 30A (Per Diode)	V_F	0.80	0.90		Volts
Maximum Reverse Current at Rated DC Blocking Voltage	I_R	50			uAmp
		20			mAmp
Typical Junction Capacitance (Note 1)	C_J	250			pF
Typical Thermal Resistance (Note 2)	$R_{θJC}$	2			°C/W
Operating Junction Temperature Range	T_J	-55 ~ +150			°C
Storage Temperature Range	T_{STG}	-55 ~ +150			

NOTE :

1. Measured at 1 MHz and applied reverse voltage of 4.0 VDC.
2. Junction to case.



MBR60100PT THRU MBR60200PT 60A Schottky Rectifiers

RATINGS AND CHARACTERISTIC CURVES

Fig.1-FORWARD CURRENT DERATING CURVE

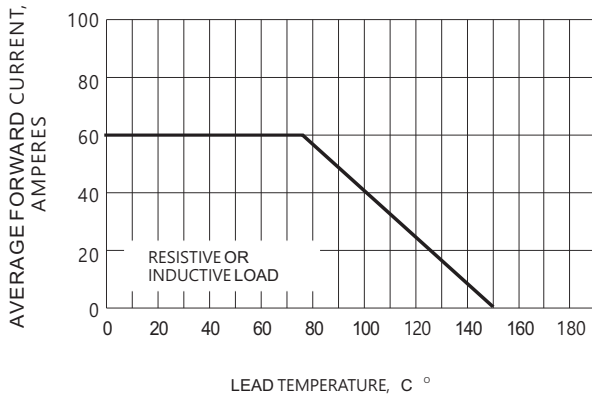


Fig.2-MAXIMUM NON-REPETITIVE SURGE CURRENT

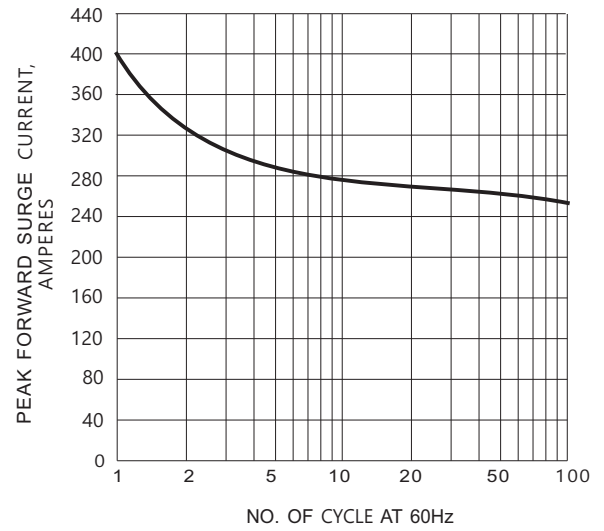


Fig.3- TYPICAL REVERSE CHARACTERISTIC

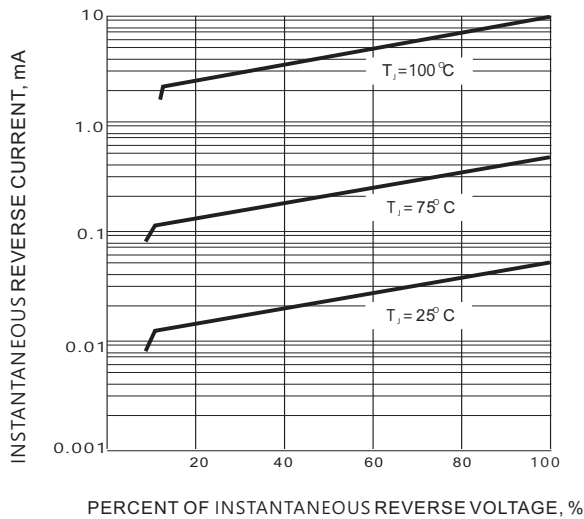
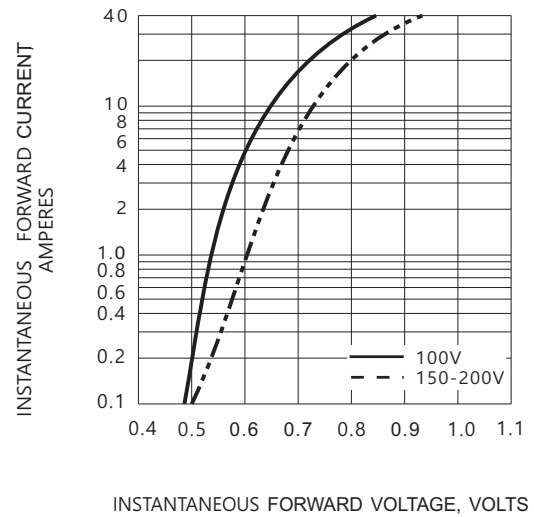


Fig.4- TYPICAL INSTANTANEOUS FORWARD CHARACTERISTIC



X-ON Electronics

Largest Supplier of Electrical and Electronic Components

Click to view similar products for [Schottky Diodes & Rectifiers](#) category:

Click to view products by [Juxing Electronic Technology](#) manufacturer:

Other Similar products are found below :

[MA4E2039](#) [MA4E2508M-1112](#) [MBR1545CT](#) [MMBD301M3T5G](#) [RB160M-50TR](#) [D83C](#) [BAS16E6433HTMA1](#) [BAT 54-02LRH E6327](#)
[NRVBAF360T3G](#) [NSR05F40QNXT5G](#) [NTE555](#) [JANS1N6640](#) [SK310-T](#) [SK34B-TP](#) [SS3003CH-TL-E](#) [GA01SHT18](#)
[CRS10I30A\(TE85L,QM](#) [MA4E2501L-1290](#) [MBRA140TRPBF](#) [MBRB30H30CT-1G](#) [BAT 15-04R E6152](#) [JANTX1N5712-1](#) [DMJ3940-000](#)
[SB007-03C-TB-E](#) [SK33B-TP](#) [NRVBB20100CTT4G](#) [NRVBM120LT1G](#) [NTSB30U100CT-1G](#) [VS-6CWQ10FNHM3](#) [CRG04\(T5L,TEMQ\)](#)
[ACDBA1100LR-HF](#) [ACDBA1200-HF](#) [ACDBA240-HF](#) [ACDBA3100-HF](#) [CDBQC0530L-HF](#) [CDBQC0240LR-HF](#) [ACDBA260LR-HF](#)
[ACDBA1100-HF](#) [MA4E2502L-1246](#) [10BQ015-M3/5BT](#) [NRVBM120ET1G](#) [CRS08TE85LQM](#) [PMAD1108-LF](#) [B120Q-13-F](#) [1N5819T-G](#)
[B0530WSQ-7-F](#) [PDS1040Q-13](#) [B160BQ-13-F](#) [SDM05U20CSP-7](#) [B140S1F-7](#)