



SFF1002 THRU SFF1006

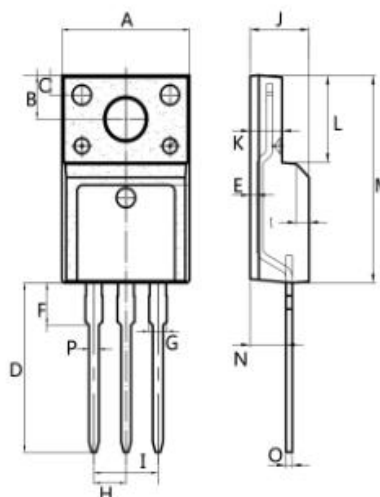
Superfast Recovery Rectifiers

FEATURES

- ◆ Ultrafast 35 Nanosecond Recovery Time
- ◆ 150°C Operating Junction Temperature
- ◆ Popular ITO-220AB Package
- ◆ Epoxy Meets UL94 ,V0 @ 1/8"
- ◆ High Temperature Glass Passivated Junction
- ◆ Low Forward Voltage
- ◆ Low Leakage Current
- ◆ Reverse Voltage to 600 Volts
- ◆ Pb-Free Packages are Available

MECHANICAL DATA

- Case: Epoxy, Molded
- Finish: All External Surfaces Corrosion Resistant and Terminal Leads are Readily Solderable
- Lead Temperature for Soldering Purposes: 260°C Max. for 10 Seconds
- Shipped 50 units per plastic tube



ITO-220AB

Dim.	Min.	Max.
A	9.95	10.25
B	2.95	3.25
C	1.25	1.45
D	12.95	13.25
E	0.50	0.65
F	3.1	3.3
G	1.30	1.45
H	Typ 2.54	
I	Typ 5.08	
J	4.60	4.75
K	2.50	2.65
L	6.35	6.55
M	15.4	16.0
N	2.75	3.05
O	0.48	0.52
P	0.76	0.84

All Dimensions in millimeter

Maximum Ratings and Electrical Characteristics

Ratings at 25°C ambient temperature unless otherwise specified.

Single phase, half wave, 60Hz, resistive or inductive load.

For capacitive load, derate current by 20%.

Type Number	Symbol	SFF1002	SFF1004	SFF1006	Units
Maximum Recurrent Peak Reverse Voltage	V_{RRM}	200	400	600	V
Maximum RMS Voltage	V_{RMS}	140	280	420	V
Maximum DC Blocking Voltage	V_{DC}	200	400	600	V
Maximum Average Forward Rectified Current .375 (9.5mm) Lead Length @ $T_C = 100^\circ C$	$I_{(AV)}$	10			A
Peak Forward Surge Current, 8.3 ms Single Half Sine-wave Superimposed on Rated Load (JEDEC method)	I_{FSM}	80			A
Maximum Instantaneous Forward Voltage @ 5.0A	V_F	0.975	1.30	1.70	V
Maximum DC Reverse Current @ $T_A=25^\circ C$ at Rated DC Blocking Voltage @ $T_A=100^\circ C$	I_R	10 400			uA uA
Maximum Reverse Recovery Time (Note 1)	T_{rr}	35			nS
Typical Junction Capacitance (Note 2)	C_j	70		50	pF
Typical Thermal Resistance (Note 3)	$R_{\theta JC}$	2.0			°C/W
Operating Temperature Range	T_J	-65 to +150			°C
Storage Temperature Range	T_{STG}	-65 to +150			°C

Notes: 1. Reverse Recovery Test Conditions: $I_F=0.5A$, $I_R=1.0A$, $I_{RR}=0.25A$

2. Measured at 1 MHz and Applied Reverse Voltage of 4.0 V D.C.

3. Mounted on Heatsink Size of 2" x 3" x 0.25" Al-plate.



SFF1002 THRU SFF1006

Superfast Recovery Rectifiers

Characteristic Curves ($T_A=25^\circ\text{C}$ unless otherwise noted)

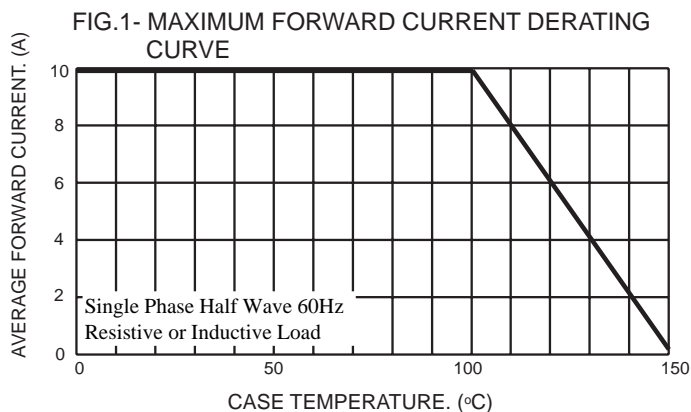


FIG.2- TYPICAL REVERSE CHARACTERISTICS

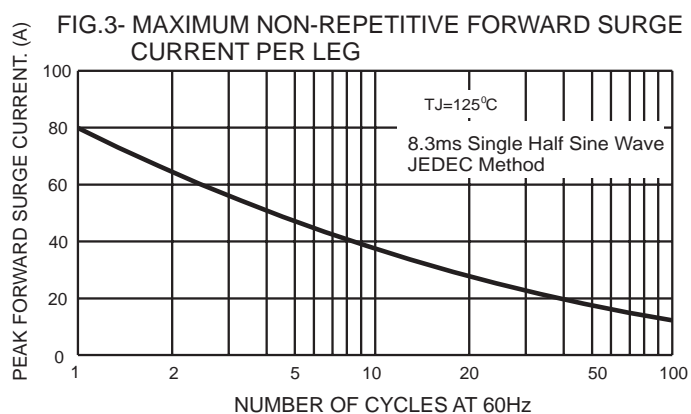
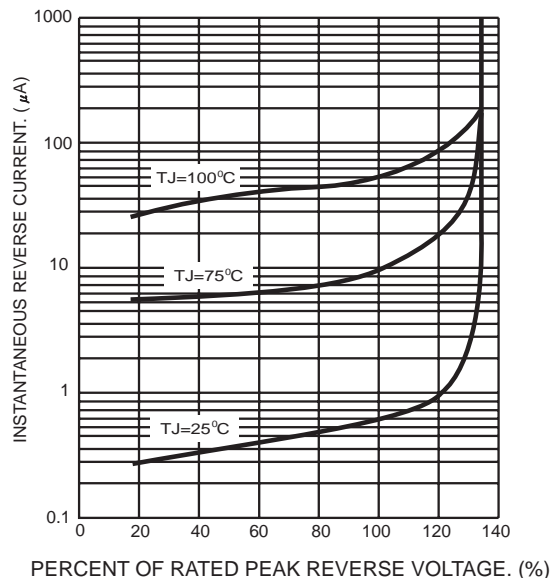


FIG.5- TYPICAL FORWARD CHARACTERISTICS PER LEG

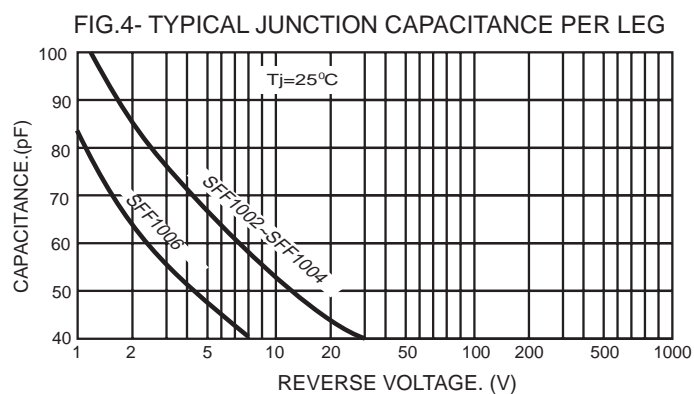
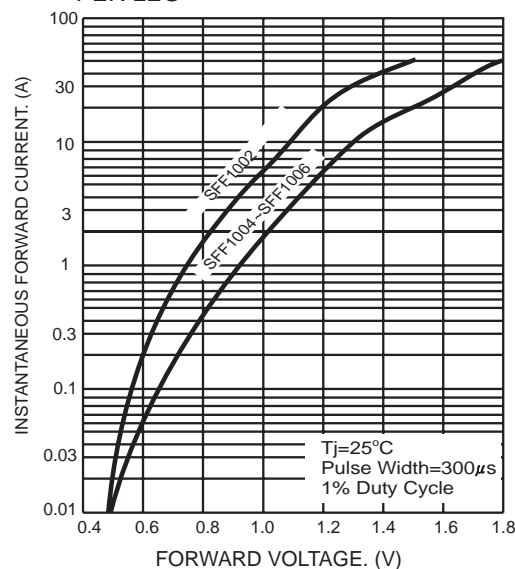
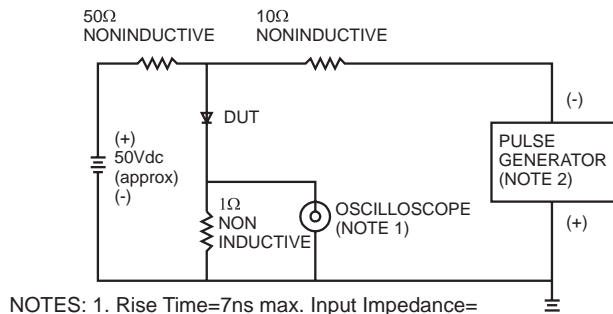
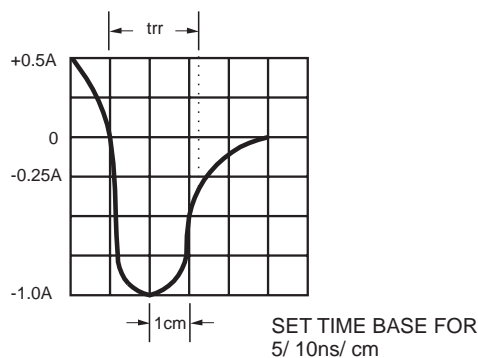


FIG.6- REVERSE RECOVERY TIME CHARACTERISTIC AND TEST CIRCUIT DIAGRAM



- NOTES: 1. Rise Time=7ns max. Input Impedance=1 megohm 22pf
 2. Rise Time=10ns max. Source Impedance=50 ohms



X-ON Electronics

Largest Supplier of Electrical and Electronic Components

Click to view similar products for [Rectifiers](#) category:

Click to view products by [Juxing Electronic Technology](#) manufacturer:

Other Similar products are found below :

[70HFR40](#) [FR105 R0](#) [RL252-TP](#) [1N5397](#) [1N4005-TR](#) [1N4007-BP](#) [UFS120Je3/TR13](#) [20ETS12S](#) [RRE02VS6SGTR](#) [MS306](#) [A1N5404G-G](#)
[CRF02\(T5L,TEMQ\)](#) [ACGRB207-HF](#) [CLH07\(TE16L,Q\)](#) [CLH03\(TE16L,Q\)](#) [1N5395-TP](#) [UES1302](#) [ACGRC307-HF](#) [ACEFC304-HF](#) [DZ-](#)
[1380](#) [85HFR60](#) [40HFR60](#) [70HF120](#) [85HFR80](#) [SCF7500](#) [SM100](#) [ACGRA4001-HF](#) [SKN70/08](#) [NTE5819](#) [NTE5827](#) [NTE5828](#) [NTE5911](#)
[NTE5915](#) [NTE6104](#) [NTE6163](#) [NTE6164](#) [NTE6165](#) [NTE6364](#) [TSD3G](#) [SET130312](#) [NRVUS110VT3G](#) [UES1106](#) [UES1306](#)
[NRVUS240VT3G](#) [D5FE60-5063](#) [R4000GPS-TP](#) [D4015L56TP](#) [UES1306HR2](#) [FX20K120](#) [D20XB60-7101](#)