



SS24L~SS2200L

Surface Mount Low VF Schottky Rectifiers

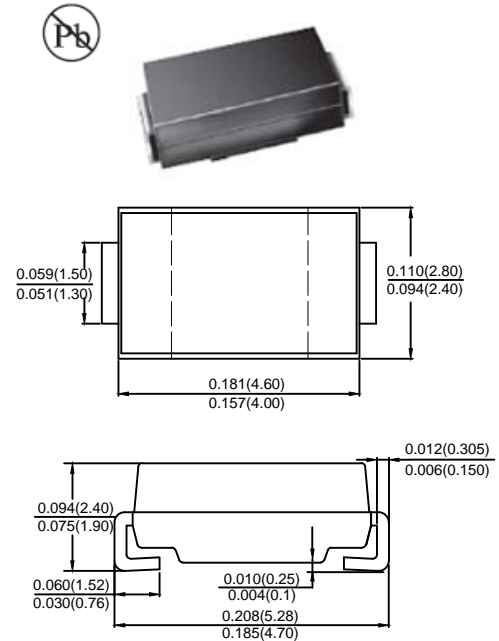
Features

- Low profile package
- Ideal for automated placement
- Ultrafast reverse recovery time
- Low power losses, high efficiency
- Low forward voltage drop
- High surge capability
- High temperature soldering:
260°C/10 seconds at terminals
- Component in accordance to
RoHS 2002/95/1 and WEEE 2002/96/EC

Mechanical Date

- **Case:** JEDEC DO-214AC (SMA) molded plastic
- **Terminals:** Solder plated, solderable per J-STD-002B and JESD22-B102D
- **Polarity:** Laser band denotes cathode end

SM/DO-214AC



Dimensions in inches and (millimeters)

Maximum Ratings & Thermal Characteristics

(T_A = 25 °C unless otherwise noted)

Type Number	SYMBOL	SS 24L	SS 245L	SS 26L	SS 28L	SS 210L	SS 2150L	SS 2200L	Unit
Maximum Recurrent Peak Reverse Voltage	V _{RRM}	40	50	60	80	100	150	200	V
Maximum RMS Voltage	V _{RMS}	28	35	42	56	70	105	140	V
Maximum DC Blocking Voltage	V _{DC}	40	50	60	80	100	150	200	V
Average Rectified Output Current @T _L =100°C	I _{F(AV)}	2.0							A
Peak Forward Surge Current 8.3ms Single half sine-wave superimposed on rated load (JEDEC Method)	I _{FSM}	50							A
Rating for fusing (t<8.3ms)	I ² t	10.38							A ² s
Forward Voltage @IF=2.0A	V _{FM}	0.45	0.55	0.75		0.85		V	
Peak Reverse Current @T _A =25°C	I _R	0.1			0.05				mA
At Rated DC Blocking Voltage @T _A =100°C		10			5				
Typical Junction Capacitance (Note 2)	C _J	28							pF
Typical Thermal Resistance per leg	R _{θJL}	88							°C/W
Operating Temperature Range	T _J	-55 to+150							°C
Storage Temperature Range	T _{STG}	-55 to +150							°C

Note: 1.Pulse Test with PW=300usec,1%Duty Cycle.

2.Mounted on P.C.Board with 5.0 mm² (0.13mm thick) copper pad areas.



SS24L~SS2200L Surface Mount Low VF Schottky Rectifiers

Characteristic Curves (T_A=25 °C unless otherwise noted)

Fig. 1 Forward Current Derating Curve

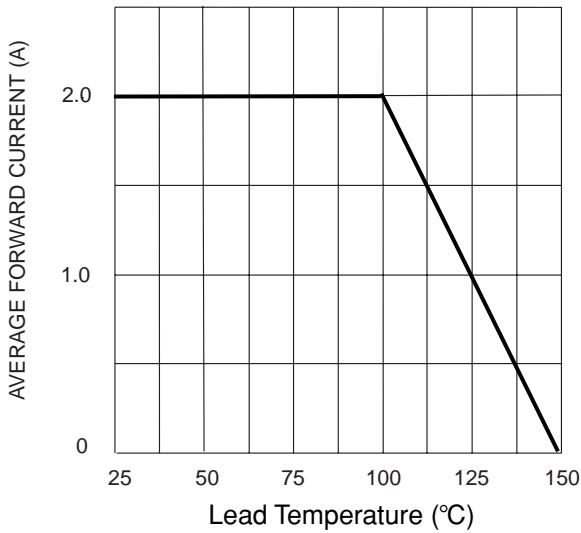


Fig. 2 Typ. Forward Characteristics

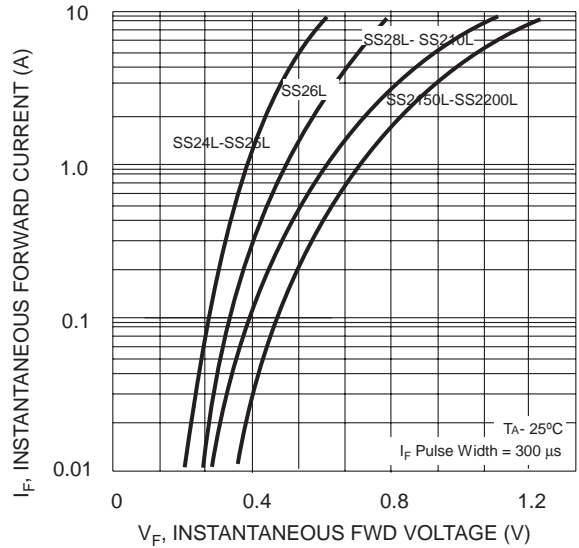


Fig. 3 Max Non-Repetitive Peak Fwd Surge Current

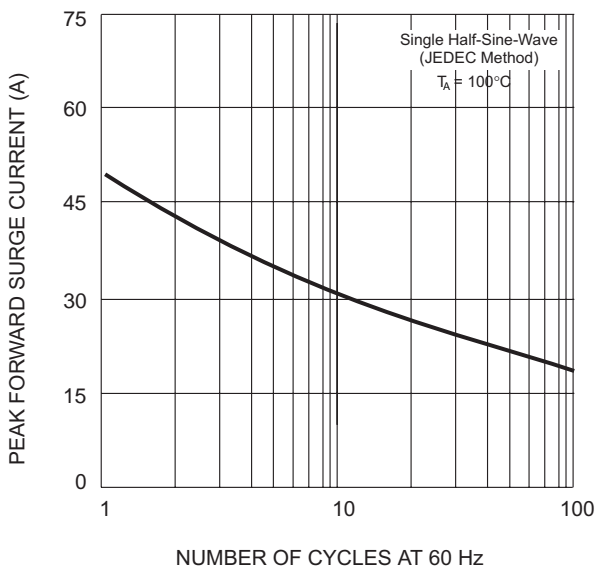
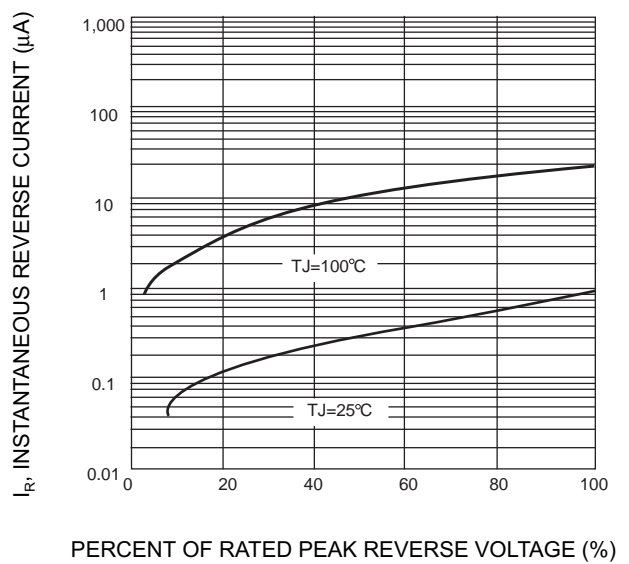
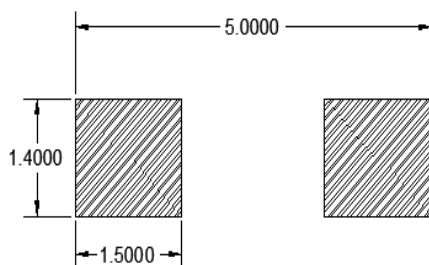


Fig. 4 Typical Reverse Characteristics (per element)



SMA PAD LAYOUT



X-ON Electronics

Largest Supplier of Electrical and Electronic Components

Click to view similar products for [Schottky Diodes & Rectifiers](#) category:

Click to view products by [Juxing Electronic Technology](#) manufacturer:

Other Similar products are found below :

[MA4E2039](#) [MMBD301M3T5G](#) [RB160M-50TR](#) [D83C](#) [BAS16E6433HTMA1](#) [BAS 3010S-02LRH E6327](#) [BAT 54-02LRH E6327](#)
[NRVBAF360T3G](#) [NSR05F40QNXT5G](#) [NTE555](#) [JANS1N6640](#) [SS3003CH-TL-E](#) [GA01SHT18](#) [CRS10I30A\(TE85L,QM](#) [MBRA140TRPBF](#)
[MBRB30H30CT-1G](#) [BAT 15-04R E6152](#) [JANTX1N5712-1](#) [DMJ3940-000](#) [SB007-03C-TB-E](#) [NRVBB20100CTT4G](#) [NRVBM120LT1G](#)
[NTSB30U100CT-1G](#) [CRG04\(T5L,TEMQ\)](#) [ACDBA1100LR-HF](#) [ACDBA1200-HF](#) [ACDBA240-HF](#) [ACDBA3100-HF](#) [CDBQC0530L-HF](#)
[ACDBA260LR-HF](#) [ACDBA1100-HF](#) [10BQ015-M3/5BT](#) [NRVBM120ET1G](#) [VSSB410S-M3/5BT](#) [1N5819T-G](#) [PDS1040Q-13](#) [B160BQ-13-F](#)
[SDM05U20CSP-7](#) [BAS 70-07 E6433](#) [B140S1F-7](#) [HSM560Je3/TR13](#) [DDB2265-000](#) [ZHCS506QTA](#) [HSM190Je3/TR13](#) [B330AF-13](#)
[ACDBUC0230-HF](#) [SDM1U100S1F-7](#) [MBR10200CTF-G1](#) [CDLL5712](#) [DMF2822-000](#)