

APPROVED SHEET


CUSTOMER: 万顺通

CUSTOMER P/N:

JWD P/N: D12401 G

REV: R0

DESCRIPTION: 10/100 BASE-TX
Laser Marking

CUSTOMER APPROVAL		COMPANY APPROVAL	
			
INSPECTED BY:		ISSUED BY:	Katherine
CHECKED BY:		CHECKED BY:	Eason
APPROVED BY:		APPROVED BY:	Focus
APPROVED DATE:		ISSUED DATE:	2019-1-10

Please Return One Copy to Us After Approved,TKS! (承认后请回寄一份,谢谢)



绵阳高新区经纬达科技有限公司

Mianyang Highly-Tech Jingweida Scientific Co., Ltd

地址: 四川省绵阳市高新区永兴镇永兴工业园

ADD: YongXing Industrial of High-tech Zone In Mianyang City,

Sichuan Province

TEL: +86-816-2561202 FAX: +86-816-2562518

E-MAIL: myjwd@myjwd.com

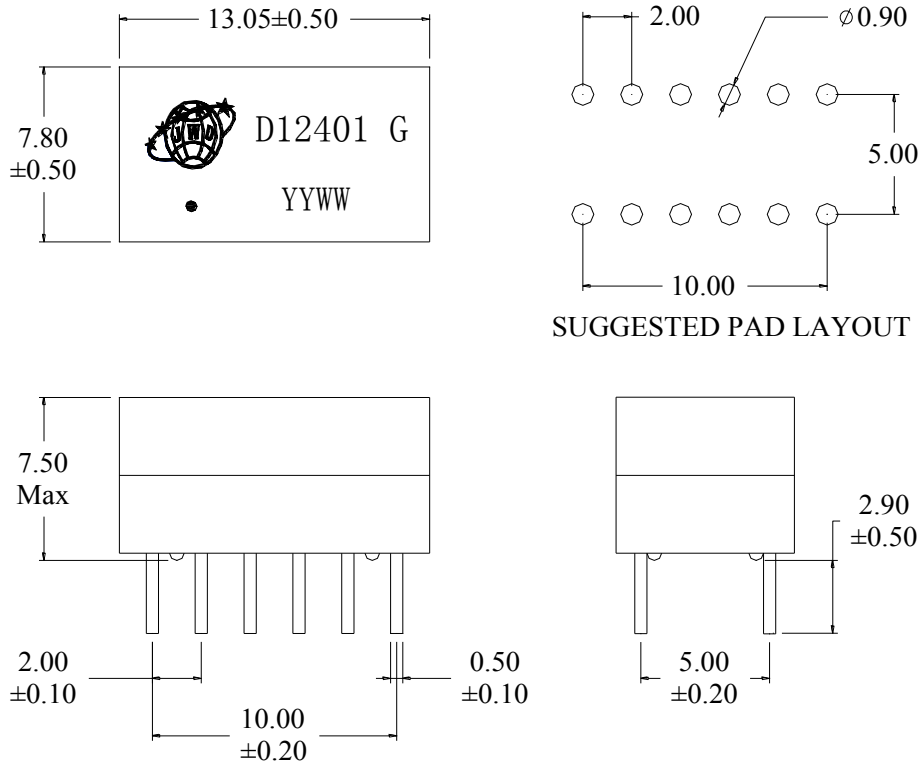
WEB: www.myjwd.com



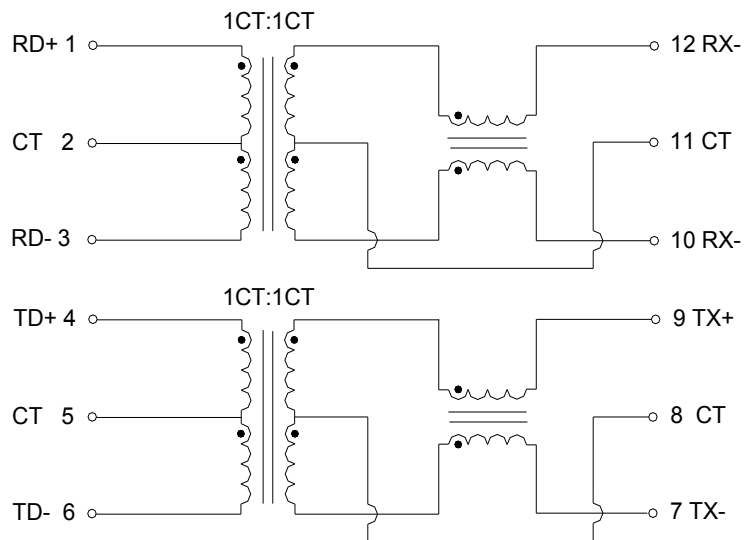
绵阳高新区经纬达科技有限公司

Mianyang Highly-Tech Jingweida Scientific Co., Ltd

A. MECHANICAL(unit:mm)



B. SCHEMATICS



DESCRIPTION	JWD P/N	SPEC NO.	REV: R0
10/100 BASE-TX	D12401 G	JWD-PAB-2818	PAGE: 2/5



绵阳高新区经纬达科技有限公司

Mianyang Highly-Tech Jingweida Scientific Co., Ltd

C. ELECTRICAL SPECIFICATIONS @25°C

1. OCL: 350uH Min @ 100KHz, 0.1V 8mA DC BIAS
2. Leakage Inductance: 0.5uH Max @ 100KHz, 0.1V
3. DCR: 1400mΩ Max
4. Turns Ratio: 1CT:1CT±5%
5. Insertion Loss: -1.1 dB Max @ 1-100 MHz
6. Return Loss: -18 dB Min @ 1-30 MHz
-14.4 dB Min @ 40 MHz
-13.1 dB Min @ 50 MHz
-12 dB Min @ 60-80 MHz
7. Cross Talk: -30 dB Min @ 1-100 MHz
8. Common Mode Rejection: -30 dB Min @ 1-100 MHz
9. Isolation Hipot: 1500VAC 1mA 60S
10. Operating temperature 0°C to +70°C
11. Storage temperature -25°C to +125°C

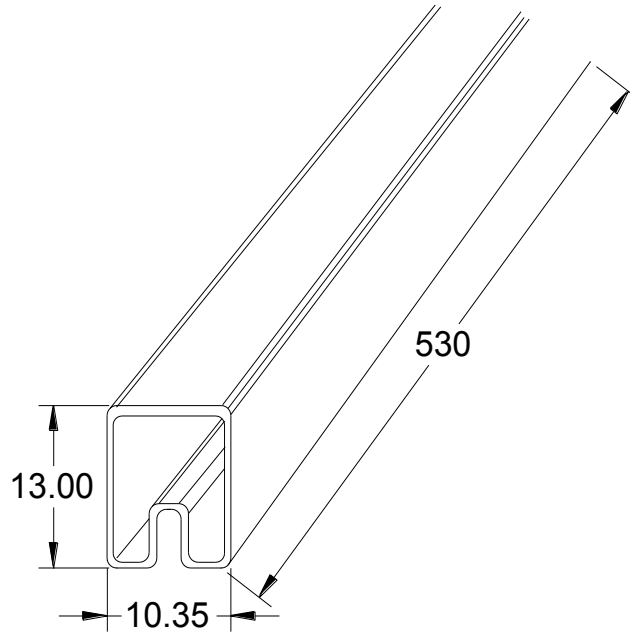
DESCRIPTION	JWD P/N	SPEC NO.	REV: R0
10/100 BASE-TX	D12401 G	JWD-PAB-2818	PAGE: 3/5



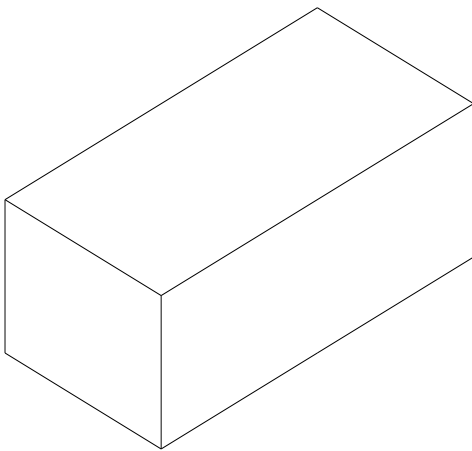
绵阳高新区经纬达科技有限公司

Mianyang Highly-Tech Jingweida Scientific Co., Ltd

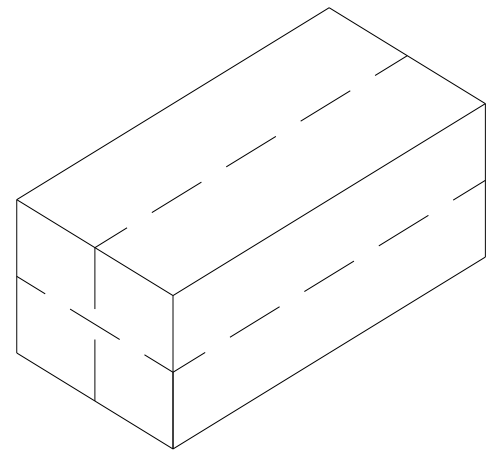
D. PACKAGE INFORMATION



Tube: 530*13.0*10.35mm



Inner Carton: L570*W180*H100mm



Export Carton: L580*W380*H240mm

Package Quantity:

One Tube=38Pcs

One Inner Carton=38*90=3420Pcs

One Export Carton=3420*4=13680Pcs

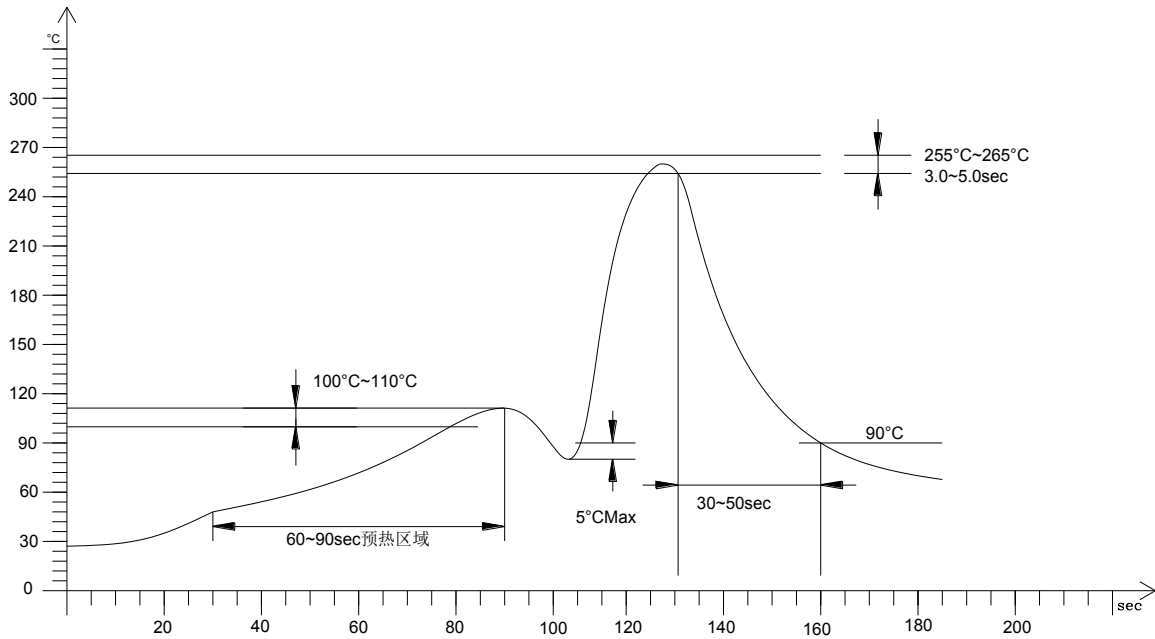
DESCRIPTION	JWD P/N	SPEC NO.	REV: R0
10/100 BASE-TX	D12401 G	JWD-PAB-2818	PAGE: 4/5



绵阳高新区经纬达科技有限公司

Mianyang Highly-Tech Jingweida Scientific Co., Ltd

F. RECOMMEND WAVE SOLDERING CURVE



DESCRIPTION	JWD P/N	SPEC NO.	REV: R0
10/100 BASE-TX	D12401 G	JWD-PAB-2818	PAGE: 5/5

X-ON Electronics

Largest Supplier of Electrical and Electronic Components

Click to view similar products for [Audio Transformers](#) / [Signal Transformers](#) category:

Click to view products by [JWD](#) manufacturer:

Other Similar products are found below :

[CU4S0506AT-2655-H1](#) [CX2041NLT](#) [MGPWT-00449-P](#) [PE-64961](#) [H1302FNLT](#) [H5008FNL](#) [H5012FNL](#) [H5020FNLT](#) [H5077NLT](#)
[H5079NLT](#) [H5084FNLT](#) [1812WBT2-4](#) [1879479-1](#) [HX2260FNL](#) [PA1528ANL](#) [EX2024FNL](#) [T1137NLT](#) [T3012NL](#) [PE-65812FNL](#) [PE-65848FNLT](#) [H1174FNL](#) [H1302FNL](#) [H5015FNL](#) [H5019EFNL](#) [H5062FNLT](#) [CX2047LNL](#) [MET-14](#) [MGPWT-00059-P](#) [MGPWT-00266-P](#)
[MGPWT-00278-P](#) [MGPWT-00431-P](#) [TTC-100](#) [TTC-143-H](#) [BX1194WNLT](#) [HX1234NLT](#) [HX5008FNLT](#) [HX5019FNL](#) [HX5084NL](#) [3-1879385-5](#) [TX1263NLT](#) [4-1879391-0](#) [100213](#) [T1142NL](#) [HX6101FNL](#) [HX5084FNL](#) [HX1148NL](#) [HX5020FNLT](#) [HX5014FNLT](#) [T1124NL](#)
[1879732-1](#)