

■特点 Features

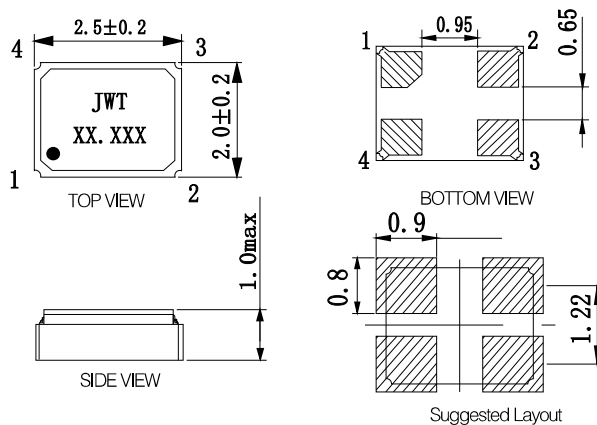
标准的 2.5 X 2.0 X 1.0 mm 陶瓷封装表面贴装形式
 3.3V 2.5V 1.8V工作电压
 可接受带控制端
 包装：每卷1000/2000/3000PCS
 Typical 2.5 X 2.0 X 1.0 mm ceramic SMD package
 3.3V 2.5V 1.8V Supply Voltage
 Tri-State function available
 Packing: Tape & Reel, 1000/2000/3000 pcs per Reel



■标准规格 Electronic Specification

| 型号 type | OSC 2520 | | | Unit | |
|------------------------------------|-----------------------------------|------------|--------|--------|--------|
| 工作电压 Supply Voltage Variation(VDD) | 3.3 | 2.5 | 1.8 | V | |
| | VDD ± 10% | | | V | |
| 频率范围 Frequency Range | 0.032768, 1.25 ~ 125 | | | MHz | |
| 工作温度范围 Operating Temp.Range | -20 ~ 70/-40 ~ 85 | | | °C | |
| 频率稳定性 Frequency Stability | ± 20 ~ ± 50 | | | ppm | |
| 输出负载 Output Load | 15 | | | PF | |
| 输入电流 Supply Current | | | | | |
| | 32.768KHz | 70 Max | 66 Max | 63 Max | μ A |
| 1.25MHz ~ 125MHz | 15 Max | 10 Max | 7 Max | mA | |
| 上升下降时间 Rise/Fall Time | | | | nSec | |
| | 32.768KHz | 50 Max | 50 Max | | 50 Max |
| | 1.25MHz ~ 19.99MHz | 4 Max | 4 Max | | 5 Max |
| | 20MHz ~ 79.99MHz | 3 Max | 3 Max | | 4 Max |
| 80MHz ~ 125MHz | 3 Max | 3 Max | 4 Max | | |
| 占空比 Duty Cycle | 45 ~ 55 | | | % | |
| 启动时间 Start Time | 2 Max | | | mSec | |
| 输出水平 Out Level | | | | V | |
| | Output Hight(Logic 1) | 90%VDD Min | | | |
| Output Hight(Logic 0) | 10%VDD Max | | | | |
| 三态输出 Tri-State | | | | V | |
| | Enable (High voltage or floating) | 0.7VDD Min | | | |
| Disable (Low voltage or GND) | 0.3VDD Max | | | | |
| 待机电流 Standby Current | 10 | | | μ A | |
| 贮存温度 Storage Temperature Range | -55 ~ 125 | | | °C | |

■外型尺寸 Outline Dimensions(Unit:mm)



| PIN | Function |
|-----|-----------|
| #1 | Tri-State |
| #2 | GND |
| #3 | Output |
| #4 | VDD |

X-ON Electronics

Largest Supplier of Electrical and Electronic Components

Click to view similar products for [Standard Clock Oscillators](#) category:

Click to view products by [JWT](#) manufacturer:

Other Similar products are found below :

[601252](#) [F335-25](#) [F535L-33.333](#) [F535L-50](#) [NBXHBA019LN1TAG](#) [SiT1602BI-22-33E-50.000000E](#) [SIT8918AA-11-33S-50.000000G](#)
[SM4420TEV-40.0M-T1K](#) [F335-24](#) [F335-40](#) [F535L-10](#) [F535L-12](#) [F535L-24](#) [F535L-27](#) [PE7744DW-100.0M](#) [ASF1-3.686MHZ-N-K-S](#) [ASV-](#)
[4.000MHZ-LCS-T](#) [XO57CTECNA3M6864](#) [601251](#) [SiT8503AI-18-33E-0.200000X](#) [SIT9122AI2C233E300.000000X](#) [9120AC-2D2-](#)
[33E212.500000](#) [9102AI-243N25E100.000000](#) [8208AC-82-18E-25.000000](#) [8008AI-72-XXE-24.545454E](#) [8004AC-13-33E-133.330000X](#) [AS-](#)
[4.9152-16-SMD-TR](#) [ASFL1-48.000MHZ-LC-T](#) [632L3I004M000000](#) [SIT8920AM-31-33E-25.000000](#) [DSC1028DI2-019.2000](#) [9121AC-2C3-](#)
[25E100.000000](#) [9102AI-233N33E100.000000X](#) [9102AI-233N25E200.000000](#) [9102AI-232H25S125.000000](#) [9102AI-133N25E200.000000](#) [9102AC-](#)
[283N25E200.000000](#) [9001AC-33-33E1-30.000000](#) [8103AC-13-33E-12.000000X](#) [3921AI-2CF-33NZ125.000000](#) [5730-1SF](#) [XUN736000.032768I](#)
[ASV-25.000MHZ-ECS-50-T](#) [EC3925ETTTS-100.000M TR](#) [SIT1602BC-83-33E-10.000000Y](#) [8003AI-12-33S-40.000000Y](#) [1602BI-13-33S-](#)
[19.200000E](#) [8208AI-2F-18E-25.000000X](#) [8103AI-83-33E-33.000000X](#) [8208AI-8F-33E-66.666666X](#)