

● Feature 特性

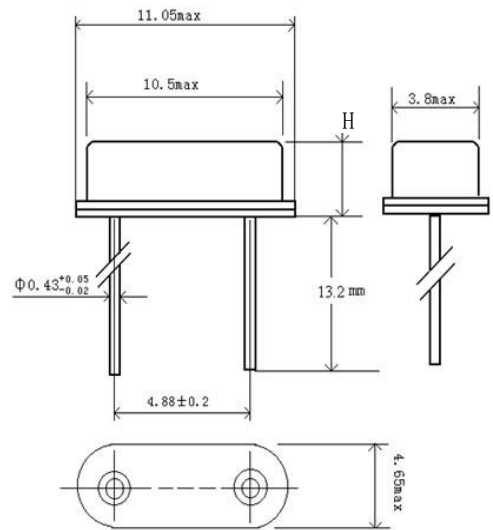
- ★满足无铅波峰焊的回流温度曲线要求
- ★符合RoHS标准, 绿色环保
- ★包装: 自封袋装, 200pcs/包



●Electrical specifications 电气参数

型号	Holder Type	HC-49S
频率范围	Frequency Toleranc (ΔF) at25°C	3.2~37.0MHz (Fund)
		37.0~70MHz (3rd Overtone)
温度频差	Frequency rift	±10ppm~±50ppm
工作温度范围	Operating Temperature Range	-20°C~+70°C to -40°C~+85°C
储存温度范围	Storage Temperature Range	-20°C~+60°C to -55°C~+125°C
老化	Aging 25°C	±3ppm/year Maximum
静电容	Shunt Capacitance (C0)	7pf Maxmum
激励功率	Drive Level	10uw~50uw Typical
绝缘阻抗	Insulaton Resistance	500Mohms at DC 100V
负载电容	Load Capacitance (CL)	Suggested by customer

●Mechanical Dimensions 外型尺寸



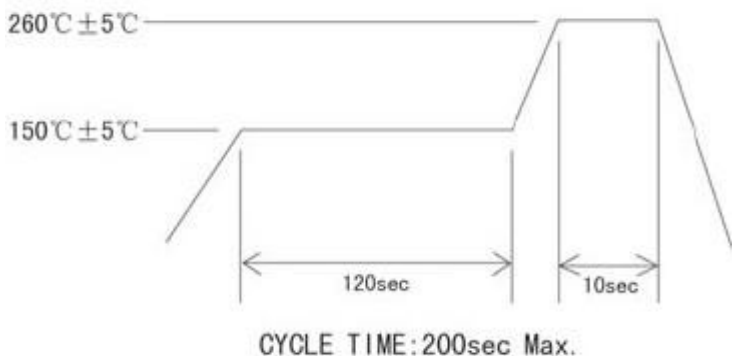
H1: 49S 3.5mm

H2:49SB 2.5mm

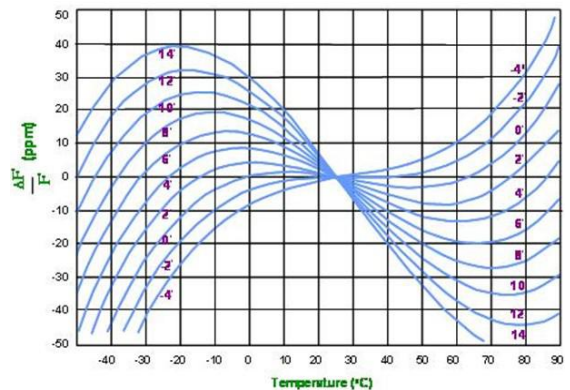
●Equivalent Series Resistance and Mode of Operation 等效电阻和振荡模式

Frequency Range 频率范围	ESR(ohm) 等效阻抗	Mode振荡模式
3.200-3.579 MHz	150Max	Fundamental
3.579-5.000 MHz	120Max	Fundamental
5.000-6.000 MHz	100Max	Fundamental
6.000-7.000 MHz	80Max	Fundamental
7.000-10.000 MHz	60Max	Fundamental
10.000-14.000 MHz	50Max	Fundamental
14.000-20.000 MHz	40Max	Fundamental
20.000-37.000 MHz	30Max	Fundamental
≥32.000 MHz	80Max	Third Overtone

●Reflow condition 回流焊条件



●Frequency VS. Temperature Curne



X-ON Electronics

Largest Supplier of Electrical and Electronic Components

Click to view similar products for [Crystals](#) category:

Click to view products by [JYJE](#) manufacturer:

Other Similar products are found below :

[CX3225GB25000M0PPSZ1](#) [718-13.2-1](#) [MC405 32.0000K-R3:PURE SN](#) [7A-40.000MAAE-T](#) [FL2000085](#) [99-BU](#) [9B-15.360MBBK-B](#) [9C-7.680MBBK-T](#) [H10S-12.000-18-EXT-TR](#) [ABC2-6.000MHZ-D4Z-T](#) [ABLS-20.000MHZ-D2-T](#) [ABS071-32.768KHZ-6-T](#) [R38-32.768-12.5-5PPM-NPB](#) [BTD1062E05A-513](#) [21U15A-21.4MHZ](#) [RTX-781DF1-S-20.950](#) [LFXTAL066198Cutt](#) [9C-14.31818MBBK-T](#) [A-11.000MHZ-27](#) [ABL-27.000MHZ-B4Y-T](#) [ABM11-132-24.000MHZ-T3](#) [ABM3B1-25.000MHZ-D2Y-T](#) [SPT2A-.032768B](#) [SPT2A.032768G](#) [SSPT7F-9PF20-R](#) [FX325BS-38.88EEM1201](#) [LFXTAL065253Cutt](#) [LFXTAL066431Cutt](#) [XT9S20ANA14M7456](#) [XT9SNLANA16M](#) [7A-24.576MBBK-T](#) [7B-30.000MBBK-T](#) [7A-14.31818MBBK-T](#) [6504-202-1501](#) [6526-202-1501](#) [ABLS-12.000MHZ-B2Y-T](#) [7A-10.000MBBK-T](#) [SG636PCE-20.000MC](#) [3404](#) [E1SAA18-25.000M TR](#) [CM315D32768EZFT](#) [C1E-24.000-7-2020-R](#) [C1E-19.200-12-1530-X-R](#) [C1E-16.000-12-1530-X-R](#) [ABM11-16.000MHZ-9-B1U-T](#) [FL5000014](#) [EUCA18-3.1872M](#) [FX0800015](#) [425F35E027M0000](#) [FP0800018](#)