

● Feature 特性

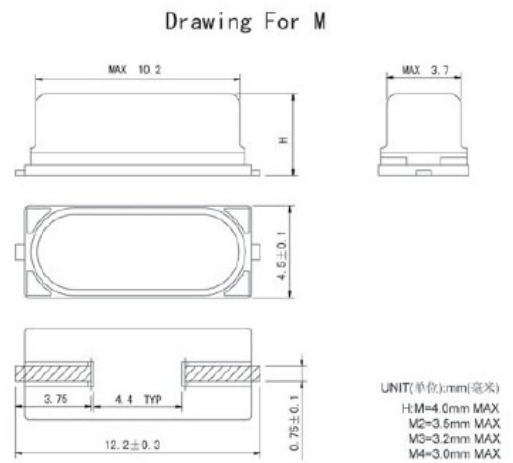
- ★S1T 49SSMD 2pin贴片晶振、晶体谐振器
- ★电流封焊工艺，气密性好
- ★高精度、高频率稳定性、可靠性
- ★降低电磁干扰（EMI）影响
- ★优良的耐环境特性，可达工业级温度
- ★满足无铅焊接的回流温度曲线要求
- ★包装：编带卷装，1000pcs/卷

●Electrical specifications 电气参数

| 型号 | Holder Type | S1T 49SSMD |
|--------|--------------------------------|---|
| 频率范围 | Frequency Toleranc (ΔF) at25°C | 3.2~37.0MHz (Fund) 37.0~70MHz (3rd Overtone) |
| 温度频差 | Frequency rift | ±10ppm~±50ppm |
| 工作温度范围 | Operating Temperature Range | -20°C~+70°C to -40°C~+85°C |
| 储存温度范围 | Storage Temperature Range | -20°C~+60°C to -55°C~+125°C |
| 老化 | Aging 25°C | ±3ppm/year Maximum |
| 静电容 | Shunt Capacitance (C0) | 7pf Maxmum |
| 激励功率 | Drive Level | 10uw~50uw Typical |
| 绝缘阻抗 | Insulaton Resistance | 500Mohms at DC 100V |
| 负载电容 | Load Capacitance (CL) | Suggested by customer |



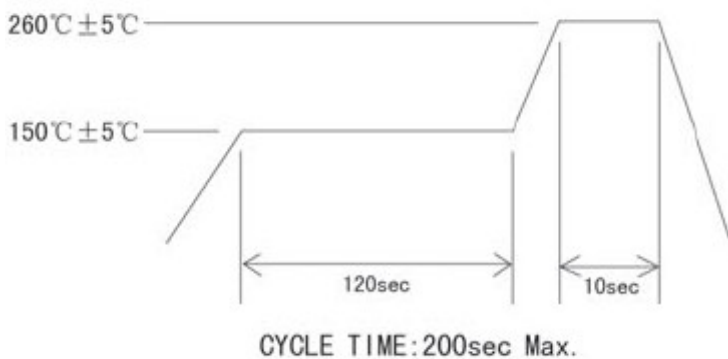
●Mechanical Dimensions 外型尺寸



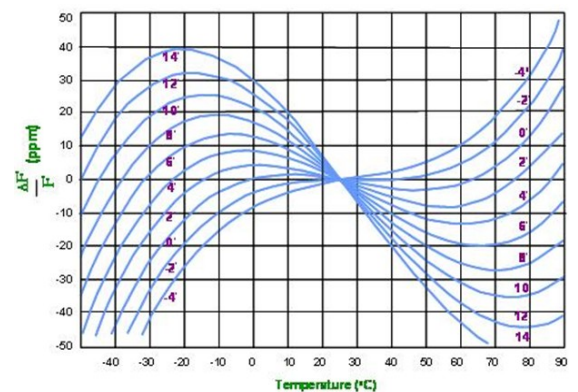
●Equivalent Series Resistance and Mode of Operation
等效电阻和振荡模式

| Frequency Range 频率范围 | ESR (ohm) 等效阻抗 | Mode 振荡模式 |
|----------------------|----------------|----------------|
| 3.200-3.579 MHz | 150Max | Fundamental |
| 3.579-5.000 MHz | 120Max | Fundamental |
| 5.000-6.000 MHz | 100Max | Fundamental |
| 6.000-7.000 MHz | 80Max | Fundamental |
| 7.000-10.000 MHz | 60Max | Fundamental |
| 10.000-14.000 MHz | 50Max | Fundamental |
| 14.000-20.000 MHz | 40Max | Fundamental |
| 20.000-37.000 MHz | 30Max | Fundamental |
| ≥32.000 MHz | 80Max | Third Overtone |

●Reflow condition 回流焊条件



●Frequency VS. Temperature Curve



X-ON Electronics

Largest Supplier of Electrical and Electronic Components

Click to view similar products for [Crystals](#) category:

Click to view products by [JYJE](#) manufacturer:

Other Similar products are found below :

[CX3225GB25000M0PPSZ1](#) [718-13.2-1](#) [MC405 32.0000K-R3:PURE SN](#) [7A-40.000MAAE-T](#) [FL2000085](#) [99-BU](#) [9B-15.360MBBK-B](#) [9C-7.680MBBK-T](#) [H10S-12.000-18-EXT-TR](#) [ABC2-6.000MHZ-D4Z-T](#) [ABLS-20.000MHZ-D2-T](#) [ABS071-32.768KHZ-6-T](#) [R38-32.768-12.5-5PPM-NPB](#) [BTD1062E05A-513](#) [21U15A-21.4MHZ](#) [RTX-781DF1-S-20.950](#) [LFXTAL066198Cutt](#) [9C-14.31818MBBK-T](#) [A-11.000MHZ-27](#) [ABL-27.000MHZ-B4Y-T](#) [ABM11-132-24.000MHZ-T3](#) [ABM3B1-25.000MHZ-D2Y-T](#) [SPT2A-.032768B](#) [SPT2A.032768G](#) [SSPT7F-9PF20-R](#) [FX325BS-38.88EEM1201](#) [LFXTAL065253Cutt](#) [LFXTAL066431Cutt](#) [XT9S20ANA14M7456](#) [XT9SNLANA16M](#) [7A-24.576MBBK-T](#) [7B-30.000MBBK-T](#) [7A-14.31818MBBK-T](#) [6504-202-1501](#) [6526-202-1501](#) [ABLS-12.000MHZ-B2Y-T](#) [7A-10.000MBBK-T](#) [SG636PCE-20.000MC](#) [3404](#) [E1SAA18-25.000M TR](#) [CM315D32768EZFT](#) [C1E-24.000-7-2020-R](#) [C1E-19.200-12-1530-X-R](#) [C1E-16.000-12-1530-X-R](#) [ABM11-16.000MHZ-9-B1U-T](#) [FL5000014](#) [EUCA18-3.1872M](#) [FX0800015](#) [425F35E027M0000](#) [FP0800018](#)