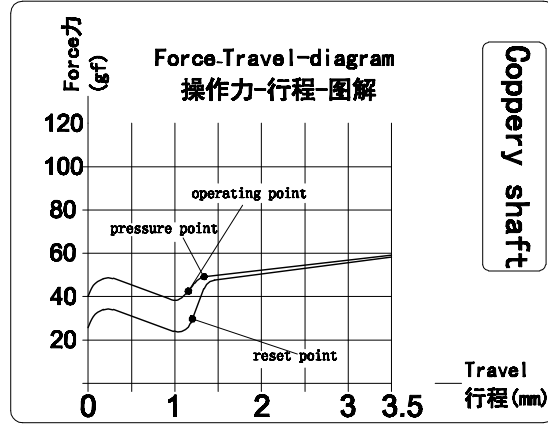
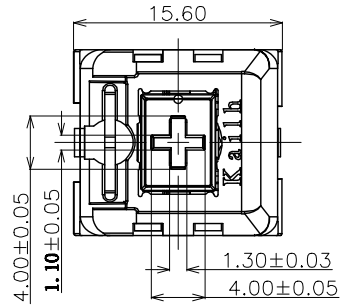
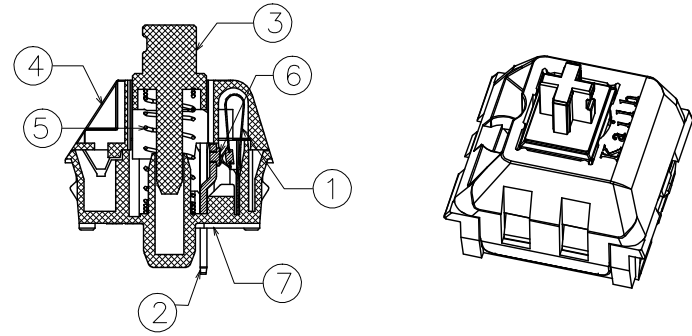


ABIDE BY ROHS

Coppery shaft



Coppery shaft

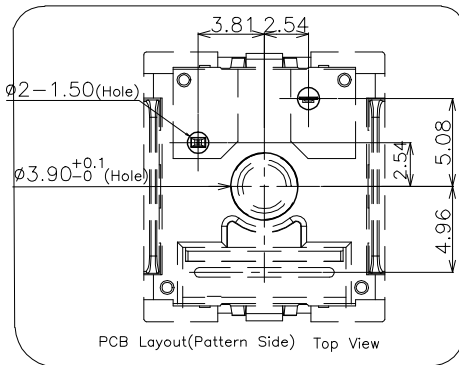
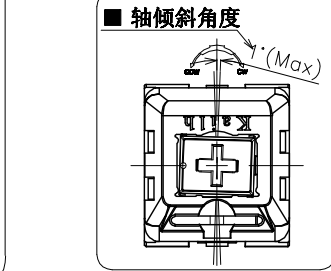
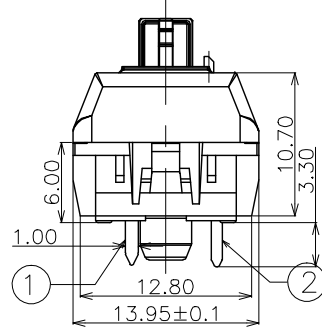
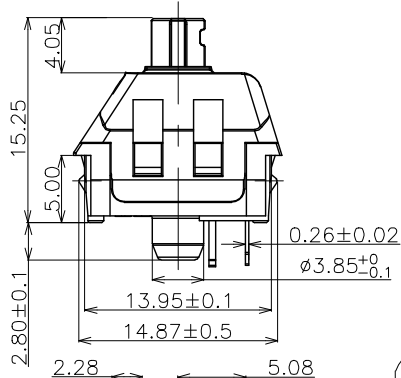
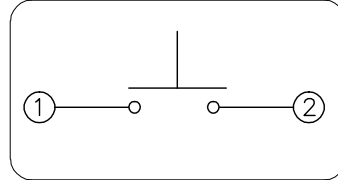


Specification :

- 1. Rating :12V AC/DC max. 2V DC min. 10mA AC/DC max. 10μA DC min.
- 2. Contact Resistance : 100mΩ Max
- 3. Insulation Resistance :100MΩ Min (DC500V)
- 4. Withstand Voltage :AC100V(50-60Hz) for 1 minute
- 5. Bounce Time:≤5msec (at 16 in/sec. actuation speed)
- 6. Resilience Force ≥12gf
- 7. Operation Force :40±10gf
- 8. Pre travel:1.1±0.4mm
- 9. Total travel:3.5±0.4mm
- 10. Operating Life :70,000,000 Cycles(min).

<Feel is allowed to have difference before and after life test>

SWITCH FUNCTION



⑦	Base	1	PA66	White	
⑥	contact	2	Composite gold		
⑤	Spring	1	Stainless Steel		
④	Cover	1	PC		
③	Keystroke	1	POM	Copper	
②	static plate	1	Brass	Plating NI	
①	movable plate	1	Copper Alloy		
ITEM	PART NAME	TER'NO,QTY.	MATERIAL	FINISHING	REMARK

APPROVALS		DATE	DONGGUAN CITY KAILIA ELECTRONICS CO.,LTD		
DRAWN		YI JIN PING	2017.04.13	Keilh	
CHECKED			TITLE: PG1511 Keystroke Switch(Copper shaft)		
APPROVALS			PART NO. CPG151101D213		
TOLERANCES ARE		30<L	±0.30	ANGLE	UNIT: mm
		10<L	±0.20		SCALE: 1:1
		5<L	±0.15		PROJ:
		L≤5	±0.10		DRAWING NO. KHA-PG1511-
					SHEET 1 OF 1

ECN NO.	REV.	DATE.	NEW	CHANGE.	CHECK.	APPRO.
			DESCRIPTION.			

X-ON Electronics

Largest Supplier of Electrical and Electronic Components

Click to view similar products for [Kailh](#) manufacturer:

Other Similar products are found below :

[CPG151101S13](#) [CPG151101D212](#) [CMI126603D09](#) [CMI191003W01](#) [CMI126703R29](#) [CMI126603D07](#) [CPG135301D02](#) [CMI626001D10](#)
[CLA931301D13B-HF](#) [CMI624001D14](#) [CMI126703D110](#) [CPG1511F01S04](#) [CPG135001D01](#) [CPG151101S21](#) [CMI126703R02](#)
[CMI623501D17](#) [CMI625501D06](#) [CPG1511F01S05](#) [CPG151101D214](#) [CMI629501D01](#) [CPG1511F01S03](#) [CMI621101D01](#) [CTA603201D01](#)
[CEN654512R01](#) [CMI621101D06](#) [CLA606301D02](#) [CMI621101D02](#) [CLA112001W01](#) [CLA117201D01](#) [CLA931301D24](#) [CMI126603D08](#)
[CEN652812A02](#) [CPG151101D213](#) [CPG151101S03](#) [CEN652812R01](#) [CPG151101D93](#) [CMI126601D01](#) [CPG151101S11-16](#) [CPG135001D02](#)
[CTA703501S01](#) [CMI627301D07](#) [CPG151101S11-1](#) [CTA455501S01](#)