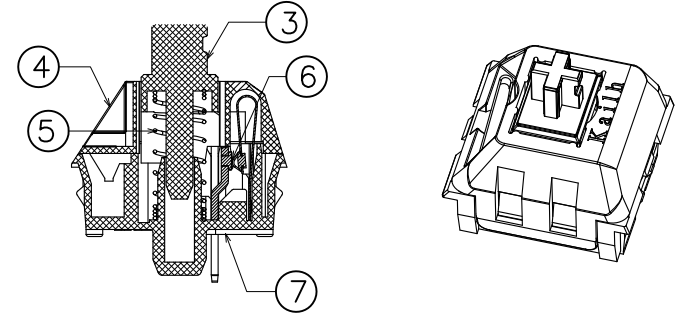
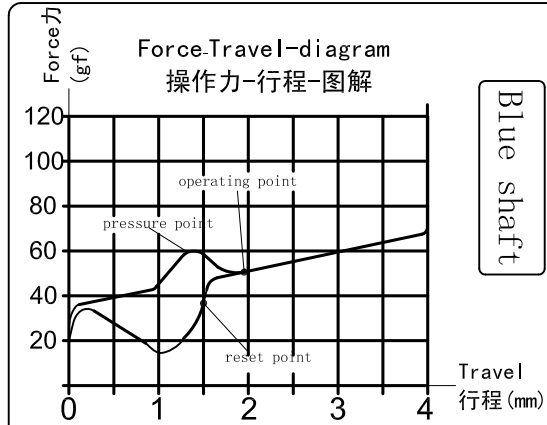
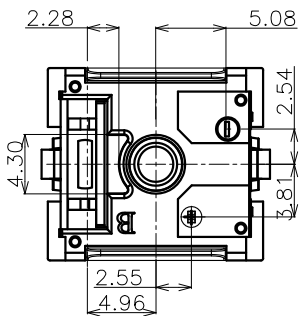
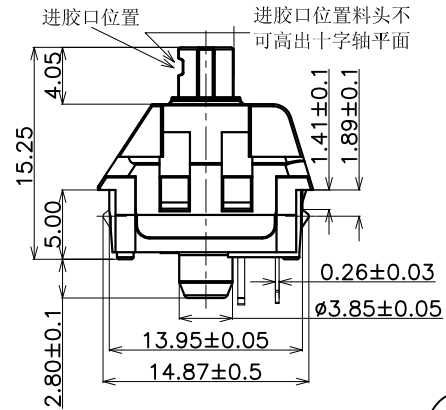
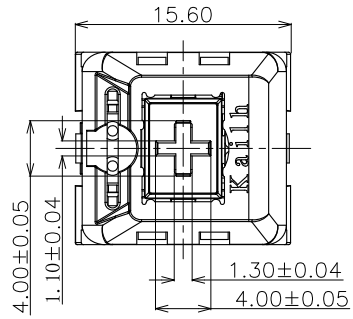
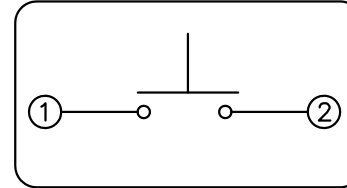


ABIDE BY ROHS

Blue shaft



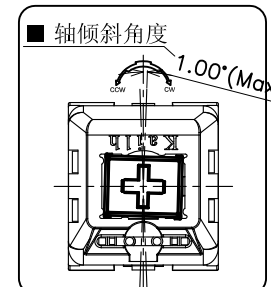
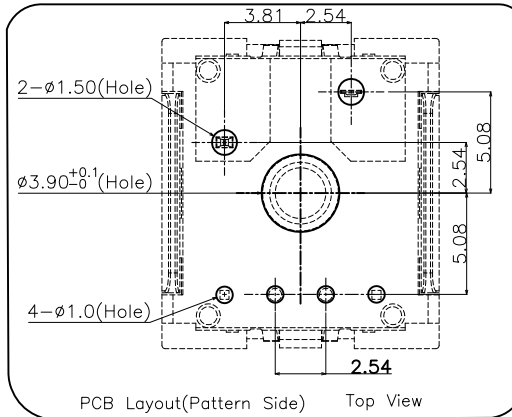
SWITCH FUNCTION



Specification :

- 1. Rating :12V AC/DC max. 2V DC min. 10mA AC/DC max. 10µA DC min.
- 2. Contact Resistance : 100mΩ Max
- 3. Insulation Resistance :100MΩ Min (DC500V)
- 4. Withstand Voltage :AC100V(50-60Hz) for 1 minute
- 5. Bounce Time:≤5msec (at 16 in/sec. actuation speed)
- 6. Operation Force :50±10gf
- 8. Pre travel:1.90mm±0.4mm
- 7. Tactile Force :60±10gf
- 10. peak force travel:1.4mm±0.4mm
- 11. Total travel:4.0±0.4mm
- 12. Operating Life :70,000,000 Cycles(min).

<Feel is allowed to have difference before and after life test>



⑦	Base	1	PA66	Black		
⑥	contact	2	Composite gold			
⑤	Spring	1	Stainless Steel			
④	Cover	1	Nylon	Black		
③	Keystroke	1	POM	Blue		
②	static plate	1	Brass	Plating Ni		
①	movable plate	1	Copper Alloy			
ITEM	PART NAME	TER'NO	QTY.	MATERIAL	FINISHING	REMARK

APPROVALS		DATE	DONGGUAN CITY KAIHUA ELECTRONICS CO.,LTD			
DRAWN	Marongquan	2016.01.05	Kaih			
CHECKED			TITLE:	PG1511 Keystroke Switch(Blue shaft)		
APPROVALS			PART NO.	PG151101D91		
TOLERANCES ARE	30<L	±0.30	ANGLE	UNIT: mm	SCALE: 1:1	PROJ.
	10<L	±0.20		DRAWING NO.	KHA-PG1511-043EN	
5<L	±0.15	±2'				
L	±0.10					

ECN NO.	REV.	DATE.	NEW DESCRIPTION.	CHANGE.	CHECK.	APPRO.
---------	------	-------	------------------	---------	--------	--------

## X-ON Electronics

Largest Supplier of Electrical and Electronic Components

*Click to view similar products for [Kailh](#) manufacturer:*

Other Similar products are found below :

[CPG151101S13](#) [CPG151101D212](#) [CMI126603D09](#) [CMI191003W01](#) [CMI126703R29](#) [CMI126603D07](#) [CPG135301D02](#) [CMI626001D10](#)  
[CLA931301D13B-HF](#) [CMI624001D14](#) [CMI126703D110](#) [CPG1511F01S04](#) [CPG135001D01](#) [CPG151101S21](#) [CMI126703R02](#)  
[CMI623501D17](#) [CMI625501D06](#) [CPG1511F01S05](#) [CPG151101D214](#) [CMI629501D01](#) [CPG1511F01S03](#) [CMI621101D01](#) [CTA603201D01](#)  
[CEN654512R01](#) [CMI621101D06](#) [CLA606301D02](#) [CMI621101D02](#) [CLA112001W01](#) [CLA117201D01](#) [CLA931301D24](#) [CMI126603D08](#)  
[CEN652812A02](#) [CPG151101D213](#) [CPG151101S03](#) [CEN652812R01](#) [CPG151101D93](#) [CMI126601D01](#) [CPG151101S11-16](#) [CPG135001D02](#)  
[CTA703501S01](#) [CMI627301D07](#) [CPG151101S11-1](#) [CTA455501S01](#)