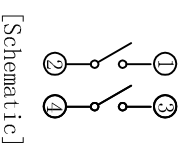
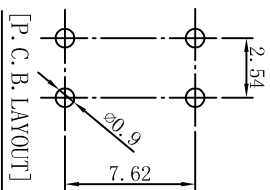
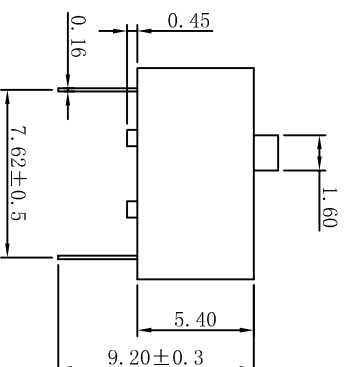
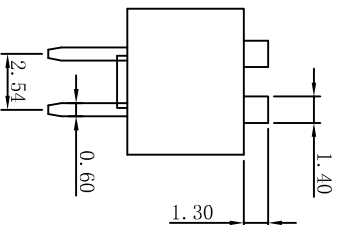
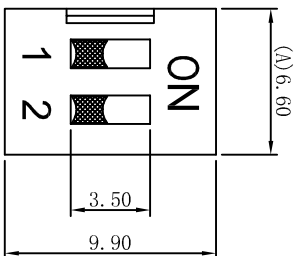


ROHS compliant



NOTES:

1.MECHANICAL:

- 1>. Operation force: 1000gf Max.
- 2>. Operation Temperature: -30 °C to +85°C.
- 3>. Storage Temperature: -40 °C to +85°C.
- 4>. Mechanical Life: 3000 cycles operations.
- 5>. Resistance to Soldering: 260 ±5°C for 3-5 Seconds.
- 6>. Please keep switch in "OFF" when welding.

2.MATERIAL:

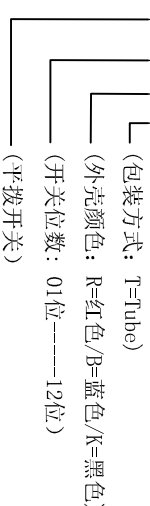
- 1>. Base: UL94V-0 PBT Thermoplastic / Color:Black.
- 2>. COVER: UL94V-0 PBT Thermoplastic / Color:Red, Black, Blue.
- 3>. ACTUATOR: UL94V-0 PBT High Thermoplastic / Color: White.
- 4>. TERMINAL: Copper alloy with gold plating for1.5u".

3.ELECTRICAL:

- 1>. Non-switching Rating:100mA at 50VDC.
- 2>. Switching Rating: 25mA at 24VDC.
- 3>. Contact Resistance: Initial 50mΩ Max. Contact Resistance: After life 100mΩ Max.
- 4>. Insulation Resistance:100MΩ Min at 500VDC.
- 5>. Dielectric Strength: 500VAC for 60seconds.
- 6>. Switch Capacitance: 5PF Max at 1MHZ.

4.PART NUMBER DESCRIPTION:

DS-XX-R-T



5.PACKING: 74pcs/Tube, 3700pcs/Box.

REV.	ECN NO.	DRAWN	DATE

Drawing	DKG	Date	2018.01.20	LINER	ANGLES	PRODUCT Family DS Series Pitch 2.54mm
Check	TOM	Scale	3:1	>0±0.05	>0° ±0.5°	PRAT NO. DS-02-R-T
Approved		Unit	MM	>1±0.10	>5° ±1.0°	FILE NO. SK-DS-002-A
Size	A4	Rev.	A	>10±0.30		PROJECTION

东莞市康深电子科技有限公司
Kongshen Electronics technology co., LTD.

X-ON Electronics

Largest Supplier of Electrical and Electronic Components

Click to view similar products for [DIP Switches/SIP Switches](#) category:

Click to view products by [kangshen](#) manufacturer:

Other Similar products are found below :

[79B10T](#) [8136-475G4T](#) [G7G-1A2-CB-DC12](#) [DRS4016](#) [1825444-1](#) [193005MS](#) [195010MS](#) [200183](#) [206002](#) [208004](#) [208007ST](#) [208008](#)
[25.350.0653.0](#) [SDA10H1BDA](#) [97R06ST](#) [A2C-2A5](#) [1825444-7](#) [ADE12S04](#) [192960010](#) [206005RAS](#) [209005LPST](#) [2-1825058-8](#)
[219002LPST](#) [219002MSTJRF](#) [219012MST](#) [25.352.0353.0](#) [CXDRIVEV2X](#) [LA2-002-DC24](#) [DSR02T](#) [193004MS](#) [E2FMX2D1M1TGJ03M](#)
[NDI10H](#) [219-9MSTP](#) [219008LPSTR](#) [EPM02FV](#) [206010RAST](#) [76SB05](#) [TD06H0SK1](#) [Z7.255.9027.0](#) [1-1825058-3](#) [1825428-4](#) [219-](#)
[10LPSTF](#) [E3ZG6111D03M](#) [G4D212PUSTV2DC5](#) [HARW0002](#) [EPG301BT06](#) [1-1825058-6](#) [E3TSL23M5J03M](#) [Y5795](#) [7R0060](#)