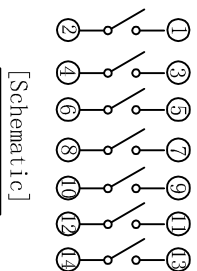
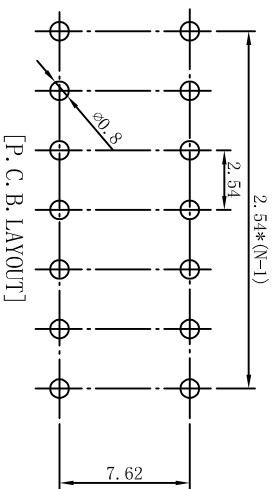
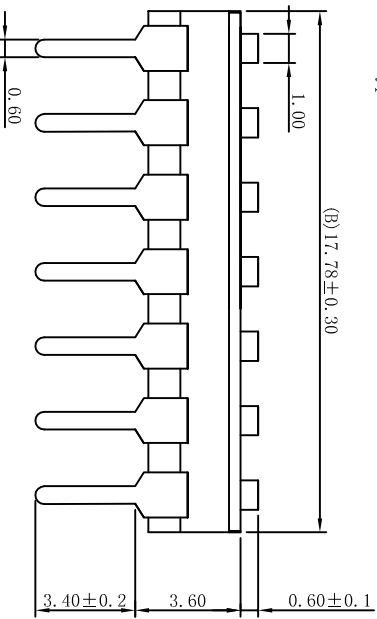
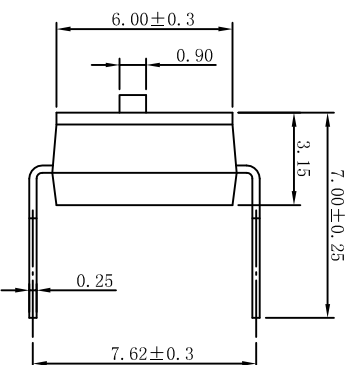
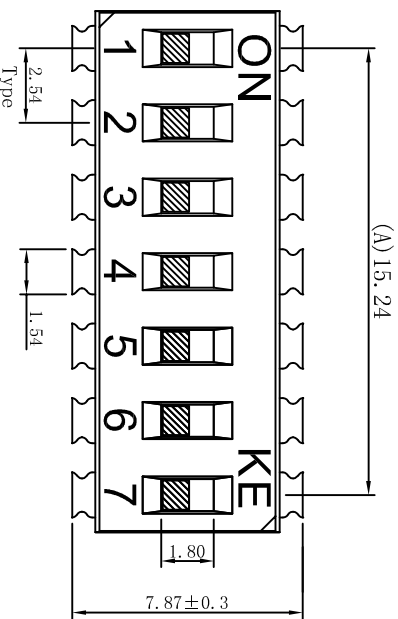


ROHS compliant



NOTES:

1.Specification:

- 1> Operation force: 1000gf Max.
- 2> Operation Temperature: -30 °C to +85 °C.
- 3> Storage Temperature: -40 °C to +85 °C.
- 4> Mechanical Life: 3000 cycles operations.
- 5> Resistance to Soldering: 260 ±5 °C for 3-5 Seconds.

2.PLATING:

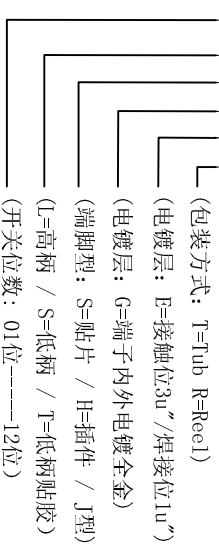
- 1> GOLD Flash 1u" (min) SOLDERTAIL, 3u" GOLD PLATING ON THE CONTACT AREA.

3.ELECTRICAL:

- 1> Non-switch Rating: 100mA at 50V DC.
- 2> Switching Rating: 25mA at 24V DC.
- 3> Contact Resistance: Initial 50mΩ Max. Contact Resistance: After life 100mΩ Max.
- 4> Insulation Resistance: 1000MΩ Min at 50VDC.
- 5> Dielectric Strength: 500V AC for 60seconds.
- 6> Switch Capacitance: 5PF Max at 1MHZ.

4.PART NUMBER DESCRIPTION:

DSIC XX L S G E T



5.PACKING: 29pcs/Tube, 1450pcs/Box.

| REV. | ECN NO. | DRAWN | DATE |
|------|---------|-------|------|
| | | | |
| | | | |

| | | | | | | | |
|----------|--------|-------|------------|----------|-----------|----------------|--------------------------|
| Drawing | dengkg | Date | 2018.03.24 | LINER | ANGLES | PRODUCT Family | DSIC Series Pitch 2.54mm |
| Check | zhong | Scale | 4:1 | >0±0.05 | >0° ±0.5° | PRAT NO. | DSIC07LHGT |
| Approved | | Unit | MM | >1±0.10 | >5° ±1.0° | FILE NO. | KE-DSIC-007-H-A |
| Size | A4 | Rev. | A | >10±0.30 | | PROJECTION | |

东莞市康深电子科技有限公司
Kongshen Electronics technology co., LTD.

X-ON Electronics

Largest Supplier of Electrical and Electronic Components

Click to view similar products for [DIP Switches/SIP Switches](#) category:

Click to view products by [kangshen](#) manufacturer:

Other Similar products are found below :

[79B10T](#) [8136-475G4T](#) [G7G-1A2-CB-DC12](#) [DRS4016](#) [1825444-1](#) [193005MS](#) [195010MS](#) [200183](#) [206002](#) [208004](#) [208007ST](#) [208008](#)
[25.350.0653.0](#) [SDA10H1BDA](#) [97R06ST](#) [A2C-2A5](#) [1825444-7](#) [ADE12S04](#) [192960010](#) [206005RAS](#) [209005LPST](#) [2-1825058-8](#)
[219002LPST](#) [219002MSTJRF](#) [219012MST](#) [25.352.0353.0](#) [CXDRIVEV2X](#) [LA2-002-DC24](#) [DSR02T](#) [193004MS](#) [E2FMX2D1M1TGJ03M](#)
[NDI10H](#) [219-9MSTP](#) [219008LPSTR](#) [EPM02FV](#) [206010RAST](#) [76SB05](#) [TD06H0SK1](#) [Z7.255.9027.0](#) [1-1825058-3](#) [1825428-4](#) [219-](#)
[10LPSTF](#) [E3ZG6111D03M](#) [G4D212PUSTV2DC5](#) [HARW0002](#) [EPG301BT06](#) [1-1825058-6](#) [E3TSL23M5J03M](#) [Y5795](#) [7R0060](#)