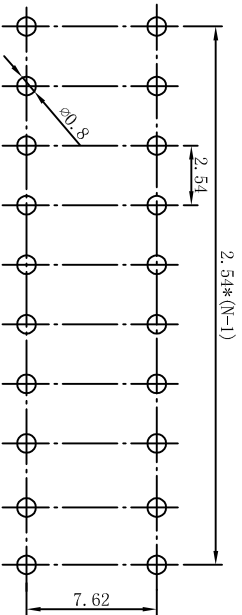
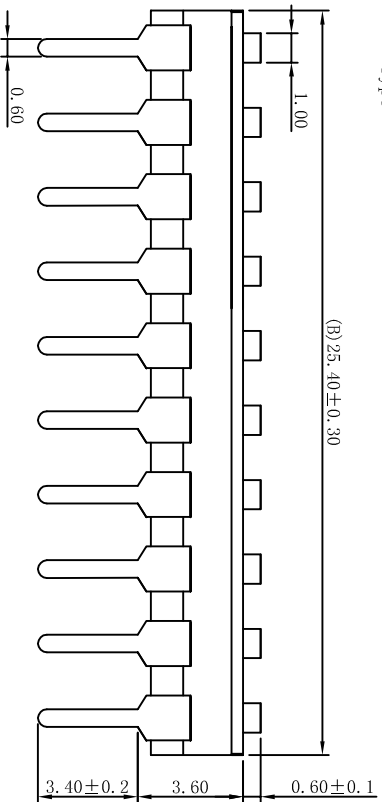
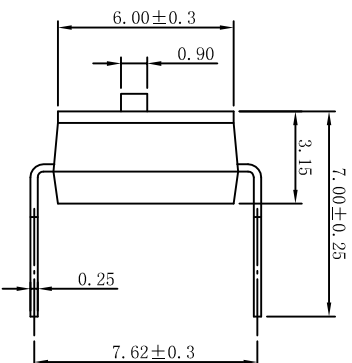
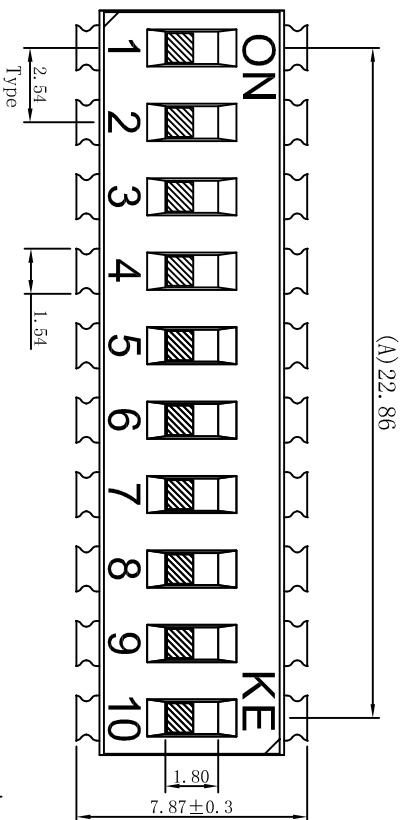
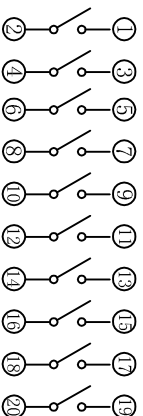


ROHS compliant



[P. C. B. LAYOUT]



[Schematic]

**NOTES:**

**1.Specification:**

- 1> Operation force: 1000gf Max.
- 2> Operation Temperature: -30 °C to +85°C.
- 3> Storage Temperature: -40 °C to +85°C.
- 4> Mechanical Life: 3000 cycles operations.
- 5> Resistance to Soldering: 260 ±5°C for 3-5 Seconds.

**2.PLATING:**

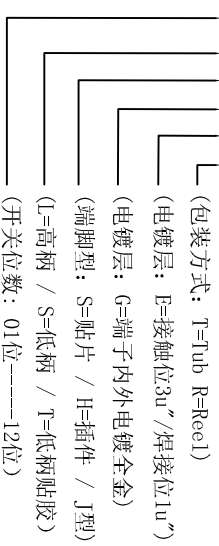
- 1> GOLD Flash 1u" (min) SOLDERTAIL,  
3u" GOLD PLATING ON THE CONTACT AREA.

**3.ELECTRICAL:**

- 1> Non-switch Rating: 100mA at 50V DC.
- 2> Switching Rating: 25mA at 24V DC.
- 3> Contact Resistance: Initial 50mΩ Max.  
Contact Resistance: After life 100mΩ Max.
- 4> Insulation Resistance: 1000MΩ Min at 500VDC.
- 5> Dielectric Strength: 500V AC for 60seconds.
- 6> Switch Capacitance: 5PF Max at 1MHZ.

**4.PART NUMBER DESCRIPTION:**

DSIC XX T S G E T



**5.PACKING: 20pcs/Tube, 1200pcs/Box.**

Drawing	dengkg	Date	2018.03.24	LINER	ANGLES	PRODUCT Family	DSIC Series Pitch 2.54mm
Check	zhong	Scale	4:1	>0±0.05	>0° ±0.5°	PRAT NO.	DSIC10LHGT
Approved		Unit	MM	>1±0.10	>5° ±1.0°	FILE NO.	KE-DSIC-010-H-A
Size	A4	Rev.	A	>10±0.30		PROJECTION	

东莞市康深电子科技有限公司  
Kongshen Electronics technology co., LTD.

REV.	ECN NO.	DRAWN	DATE

## X-ON Electronics

Largest Supplier of Electrical and Electronic Components

*Click to view similar products for [DIP Switches/SIP Switches](#) category:*

*Click to view products by [kangshen](#) manufacturer:*

Other Similar products are found below :

[79B10T](#) [8136-475G4T](#) [G7G-1A2-CB-DC12](#) [DRS4016](#) [1825444-1](#) [193005MS](#) [195010MS](#) [200183](#) [206002](#) [208004](#) [208007ST](#) [208008](#)  
[25.350.0653.0](#) [SDA10H1BDA](#) [97R06ST](#) [A2C-2A5](#) [1825444-7](#) [ADE12S04](#) [192960010](#) [206005RAS](#) [209005LPST](#) [2-1825058-8](#)  
[219002LPST](#) [219002MSTJRF](#) [219012MST](#) [25.352.0353.0](#) [CXDRIVEV2X](#) [LA2-002-DC24](#) [DSR02T](#) [193004MS](#) [E2FMX2D1M1TGJ03M](#)  
[NDI10H](#) [219-9MSTP](#) [219008LPSTR](#) [EPM02FV](#) [206010RAST](#) [76SB05](#) [TD06H0SK1](#) [Z7.255.9027.0](#) [1-1825058-3](#) [1825428-4](#) [219-](#)  
[10LPSTF](#) [E3ZG6111D03M](#) [G4D212PUSTV2DC5](#) [HARW0002](#) [EPG301BT06](#) [1-1825058-6](#) [E3TSL23M5J03M](#) [Y5795](#) [7R0060](#)