

KY2312

20V N-Channel Mosfet

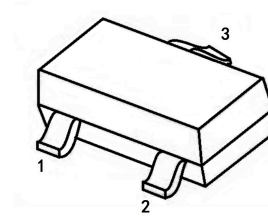
FEATURES

- $R_{DS(ON)} \leq 21m\Omega$ (16 m Ω Typ.)
@ $V_{GS}=4.5V$
- $R_{DS(ON)} \leq 30m\Omega$ (20 m Ω Typ.)
@ $V_{GS}=2.5V$

APPLICATIONS

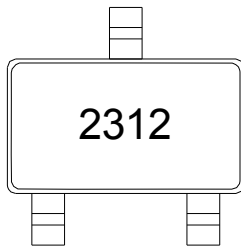
- Battery Protection
- Load Switch
- Power Management

SOT-23



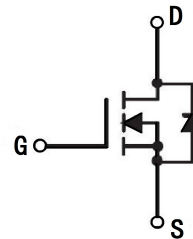
1. GATE
2. SOURCE
3. DRAIN

MARKING



2312: Device Code
Other marks: "S12"

N-CHANNEL MOSFET



MAXIMUM RATINGS (Ta=25°C unless otherwise noted)

Symbol	Parameter	Max.	Units
V_{DSS}	Drain-Source Voltage	20	V
V_{GSS}	Gate-Source Voltage	± 10	V
I_D	Continuous Drain Current	$T_a = 25^\circ C$	5
		$T_a = 100^\circ C$	3.2
I_{DM}	Pulsed Drain Current ^{note1}	20	A
P_D	Power Dissipation	$T_a = 25^\circ C$	1.25
$R_{\theta JA}$	Thermal Resistance, Junction to Ambient	100	$^\circ C/W$
T_J, T_{STG}	Operating and Storage Temperature Range	-55 to +150	$^\circ C$

MOSFET ELECTRICAL CHARACTERISTICS Ta=25 °C unless otherwise specified

Symbol	Parameter	Test Condition	Min.	Typ.	Max.	Units
Off Characteristic						
$V_{(BR)DSS}$	Drain-Source Breakdown Voltage	$V_{GS}=0V, I_D=250\mu A$	20	-	-	V
I_{DSS}	Zero Gate Voltage Drain Current	$V_{DS}=20V, V_{GS}=0V,$	-	-	1	μA
I_{GSS}	Gate to Body Leakage Current	$V_{DS}=0V, V_{GS}=\pm 10V$	-	-	± 100	nA
On Characteristics						
$V_{GS(th)}$	Gate Threshold Voltage	$V_{DS}=V_{GS}, I_D=250\mu A$	0.5	0.65	0.9	V
$R_{DS(on)}$	Static Drain-Source on-Resistance note2	$V_{GS}=4.5V, I_D=5A$	-	16	21	m Ω
		$V_{GS}=2.5V, I_D=4.7A$	-	20	30	
g_{FS}	Forward Transconductance	$V_{DS}=10V, I_D=5A$	6	-	-	S
Dynamic Characteristics						
C_{iss}	Input Capacitance	$V_{DS}=10V, V_{GS}=0V,$ $f=1.0MHz$	-	865	-	pF
C_{oss}	Output Capacitance		-	105	-	pF
C_{rss}	Reverse Transfer Capacitance		-	55	-	pF
Switching Characteristics						
$t_{d(on)}$	Turn-on Delay Time	$V_{DD}=10V, I_D=4A,$ $R_G=1\Omega, V_{GEN}=5V,$	-	-	10	ns
t_r	Turn-on Rise Time		-	-	20	ns
$t_{d(off)}$	Turn-off Delay Time		-	-	32	ns
t_f	Turn-off Fall Time		-	-	12	ns
Drain-Source Diode Characteristics and Maximum Ratings						
I_S	Maximum Continuous Drain to Source Diode Forward Current		-	-	5	A
I_{SM}	Maximum Pulsed Drain to Source Diode Forward Current		-	-	20	A
V_{SD}	Drain to Source Diode Forward Voltage	$V_{GS}=0V, I_S=4A$	-	0.75	1.2	V

Notes:1. Repetitive Rating: Pulse Width Limited by Maximum Junction Temperature

 2. Pulse Test: Pulse Width $\leq 300\mu s$, Duty Cycle $\leq 2\%$

TYPICAL PERFORMANCE CHARACTERISTICS

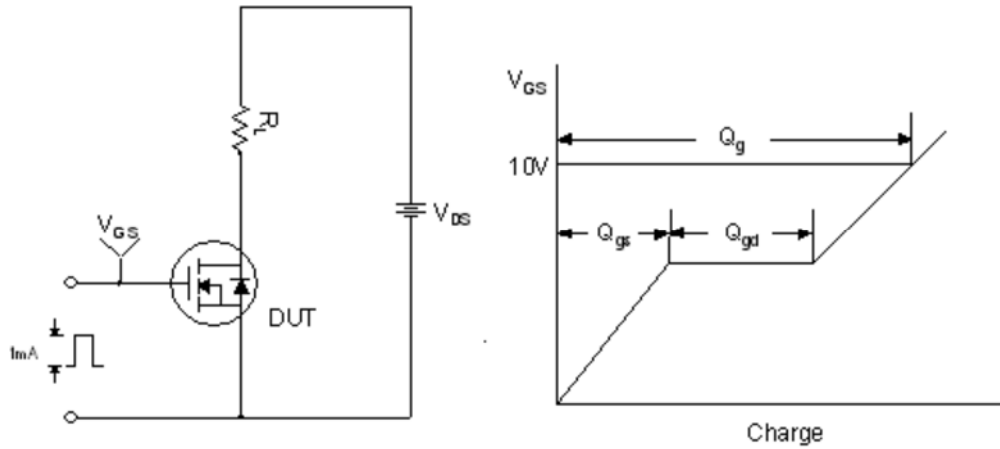


Figure 1. Gate Charge Test Circuit & Waveform

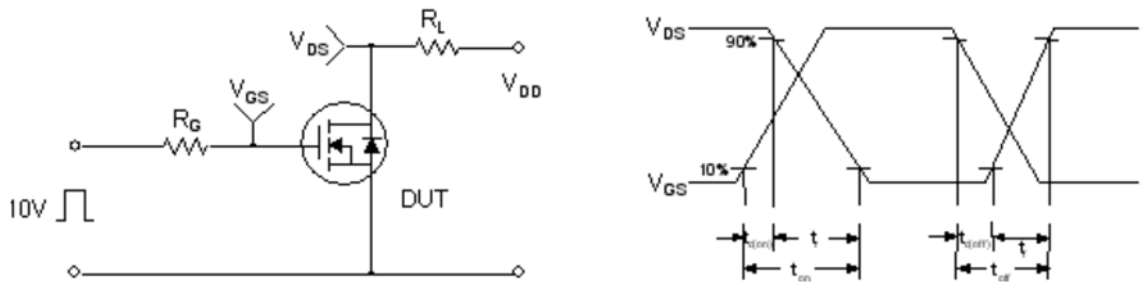


Figure 2. Resistive Switching Test Circuit & Waveforms

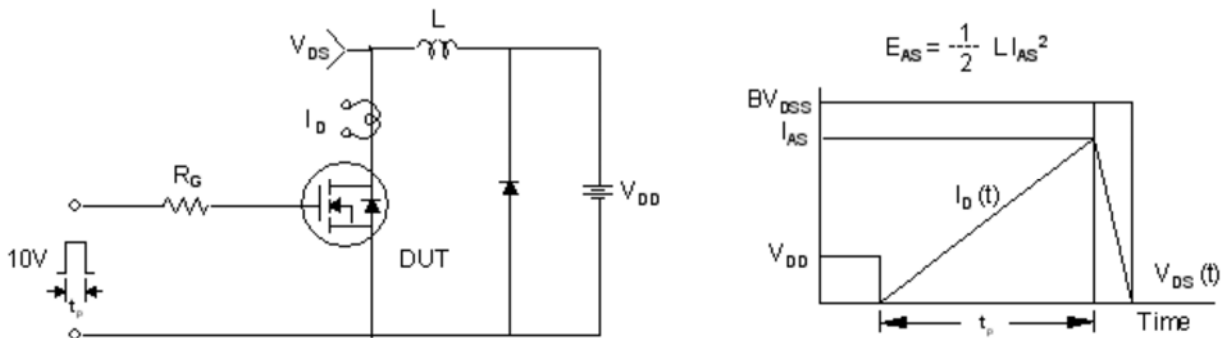
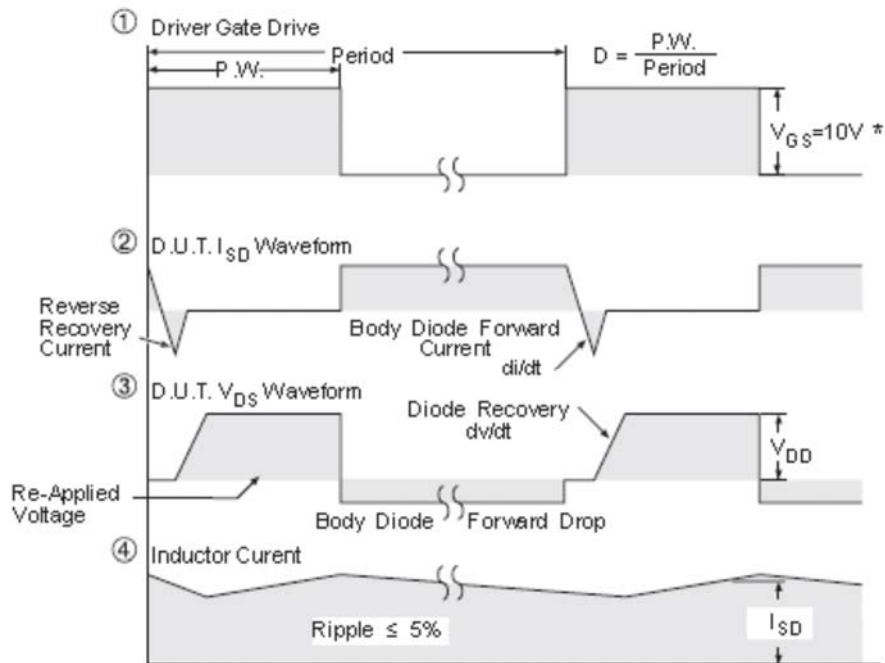
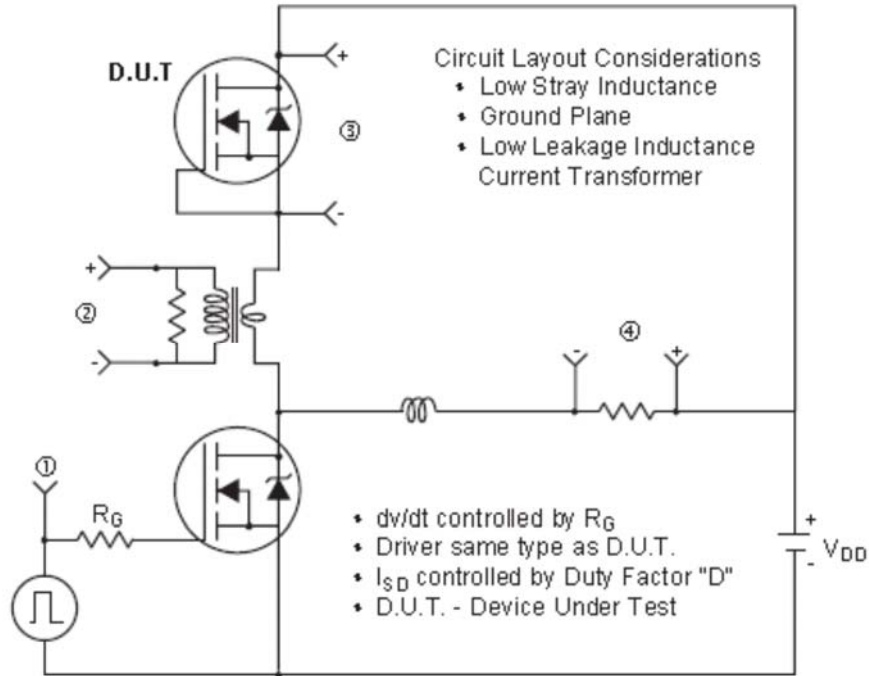


Figure 3. Unclamped Inductive Switching Test Circuit & Waveforms

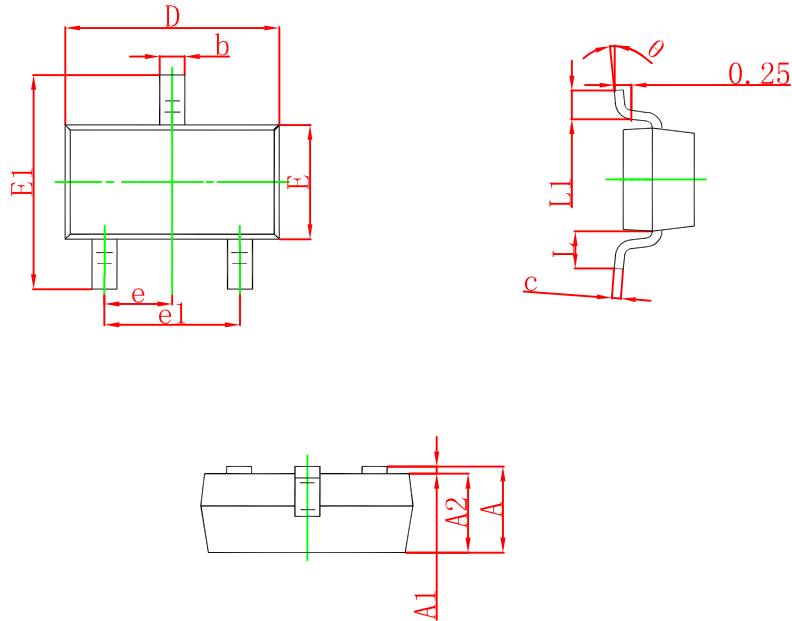
TYPICAL PERFORMANCE CHARACTERISTICS



* $V_{GS} = 5V$ for Logic Level Devices

Figure 4. Peak Diode Recovery dv/dt Test Circuit & Waveforms (For N-channel)

SOT-23 PACKAGE OUTLINE DRAWING



Symbol	Dimensions In Millimeters		Dimensions In Inches	
	Min	Max	Min	Max
A	0.900	1.150	0.035	0.045
A1	0.000	0.100	0.000	0.004
A2	0.900	1.050	0.035	0.041
b	0.300	0.500	0.012	0.020
c	0.080	0.150	0.003	0.006
D	2.800	3.000	0.110	0.118
E	1.200	1.400	0.047	0.055
E1	2.250	2.550	0.089	0.100
e	0.950 TYP		0.037 TYP	
e1	1.800	2.000	0.071	0.079
L	0.550 REF		0.022 REF	
L1	0.300	0.500	0.012	0.020
θ	0°	8°	0°	8°

X-ON Electronics

Largest Supplier of Electrical and Electronic Components

Click to view similar products for [MOSFET](#) category:

Click to view products by [Kang Yang](#) manufacturer:

Other Similar products are found below :

[IRFD120](#) [JANTX2N5237](#) [2SK2267\(Q\)](#) [BUK455-60A/B](#) [TK100A10N1,S4X\(S](#) [MIC4420CM-TR](#) [VN1206L](#) [NDP4060](#) [SI4482DY](#)
[IRS2092STRPBF-EL](#) [IPS70R2K0CEAKMA1](#) [SQM120N06-3M5L-GE3](#) [TK31J60W5,S1VQ\(O](#) [TK31J60W,S1VQ\(O](#) [TK16J60W,S1VQ\(O](#)
[2SK2614\(TE16L1,Q\)](#) [DMN1017UCP3-7](#) [EFC2J004NUZTDG](#) [P85W28HP2F-7071](#) [NTE2384](#) [DMC2700UDMQ-7](#) [DMN2080UCB4-7](#)
[DMN61D9UWQ-13](#) [US6M2GTR](#) [DMN31D5UDJ-7](#) [DMP22D4UFO-7B](#) [IPS60R3K4CEAKMA1](#) [DMN1006UCA6-7](#) [DMN16M9UCA6-7](#)
[STF5N65M6](#) [IRF40H233XTMA1](#) [STU5N65M6](#) [DMN6022SSD-13](#) [DMN13M9UCA6-7](#) [DMTH10H4M6SPS-13](#) [IPS60R360PFD7SAKMA1](#)
[DMN2990UFB-7B](#) [SSM3K35CT,L3F](#) [IPLK60R1K0PFD7ATMA1](#) [2N7002W-G](#) [MCAC30N06Y-TP](#) [IPWS65R035CFD7AXKSA1](#)
[MCQ7328-TP](#) [SSM3J143TU,LXHF](#) [DMN12M3UCA6-7](#) [PJMF280N65E1_T0_00201](#) [PJMF380N65E1_T0_00201](#)
[PJMF280N60E1_T0_00201](#) [PJMF600N65E1_T0_00201](#) [PJMF900N65E1_T0_00201](#)