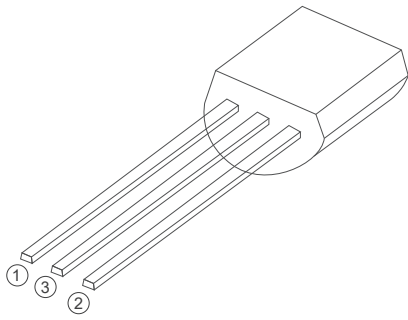
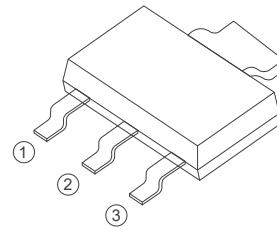


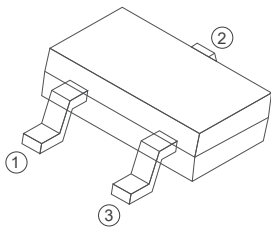
MAC97 Series
1A TRIACs
4 Quadrants



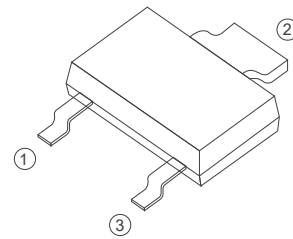
TO-92



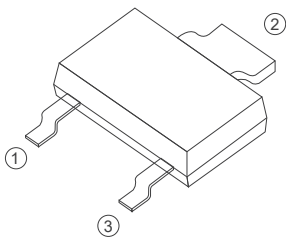
SOT-223



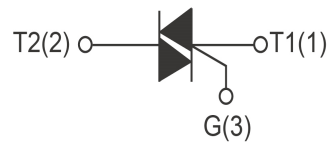
SOT-23-3L



SOT-223-2L



SOT-89-2L



FEATURES

> IT(RMS): 1A > VGT: 1.5V > VDRM VRRM:600Vand800V

APPLICATIONS

Washing machine,vacuums, massager,solid state relay, AC Motor speed regulation and so on.

Absolute Maximum Ratings ($T_J=25^{\circ}\text{C}$ unless otherwise specified)

Symbol	Parameter	Conditions	Ratings	Unit
VDRM VRRM	Repetitive Peak Off-State Voltage	MAC97A6	600/800	V
		MAC97A8		
IT(RMS)	R.M.S On-State Current	$T_c=110^{\circ}\text{C}$	1	A
ITSM	Surge On-State Current	$T_p=10\text{ms}$	12	
I^2t	I^2t for fusing	$T_p=10\text{ms}$	0.72	A^2s
PG(AV)	Average Gate Power Dissipation	$T_J=125^{\circ}\text{C}$	0.3	W
IGM	Peak Gate Current	$t_p=20\mu\text{s}$ $T_J=125^{\circ}\text{C}$	1.2	A
T_J	Operating Junction Temperature		$\sim 40\sim 125$	$^{\circ}\text{C}$
TSTG	Storage Temperature		$\sim 40\sim 150$	

Electrical Characteristics ($T_J=25^{\circ}\text{C}$ unless otherwise specified)

Symbol	Parameter	Test Conditions	Value	Unit	
IDRM	Repetitive Peak Off-State Current	$T_J=25^{\circ}\text{C}$	≤ 10	μA	
		$T_J=110^{\circ}\text{C}$	≤ 200	μA	
IRRM	Repetitive Peak Reverse Current	$T_J=25^{\circ}\text{C}$	≤ 10	μA	
		$T_J=110^{\circ}\text{C}$	≤ 200	μA	
VTM	Forward "on" voltage	$I_T=1.6\text{A}$ $t_p=380\mu\text{s}$	≤ 1.5	V	
VGD	Gate non-trigger voltage	$V_D=V_{DRM}$, $T_J=110^{\circ}\text{C}$	≥ 0.2	V	
IH	Holding current	$V_D=12\text{V}$, $I_{GT}=0.1\text{A}$	I,II,III	≤ 5	mA
			IV	≤ 10	mA
VGT	Gate trigger voltage	$V_D=12\text{V}$	≤ 1.2	V	
IGT	Gate trigger current	$V_D=12\text{V}$	I,II,III	≤ 3	mA
			IV	≤ 7	mA
di/dt	Critical-rate of rise of commutation current.	$I_T=1\text{A}$ $I_G=0.2\text{A}$, $dI_G/dt=0.2\text{A}/\mu\text{s}$	I,II,III	≥ 50	A / μs
			IV	≥ 10	A / μs
dv/dt	Critical-rate of rise of commutation voltage	$T_J=110^{\circ}\text{C}$ $V_D=2/3V_{DRM}$	≥ 30	V/ μs	

FIG1

Maximum power dissipation versus RMS on-state current

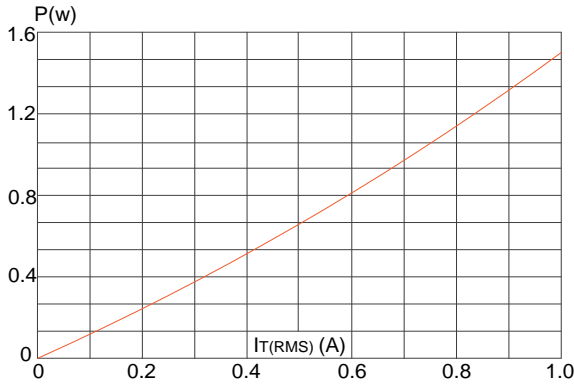


FIG2

RMS on-state current versus case temperature

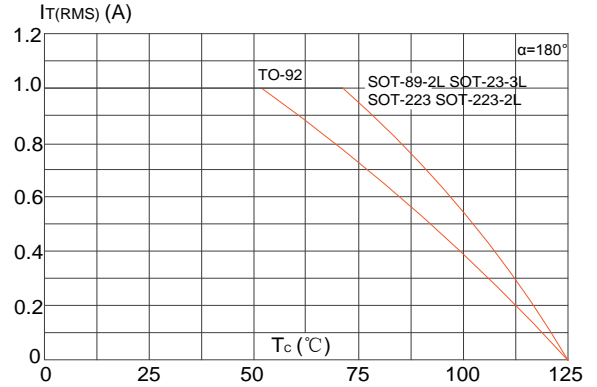


FIG3

Surge peak on-state current versus number of cycles

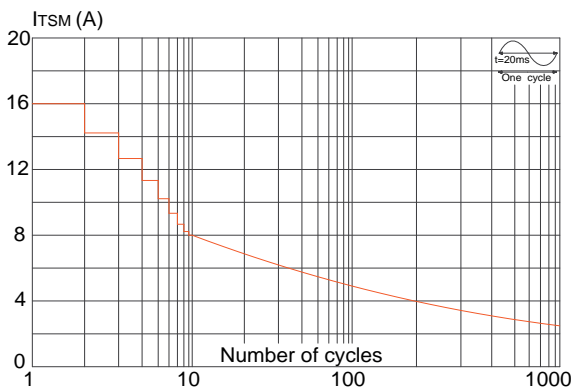


FIG4

On-state characteristics (maximum values)

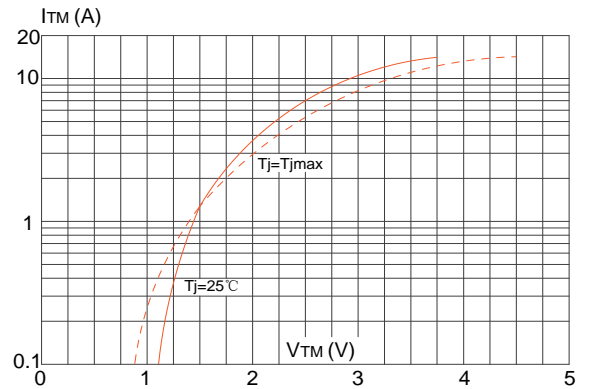


FIG5

Non-repetitive surge peak on-state current for a sinusoidal pulse with width $t_p < 20ms$, and corresponding value of I^2t ($di/dt < 100A/\mu s$)

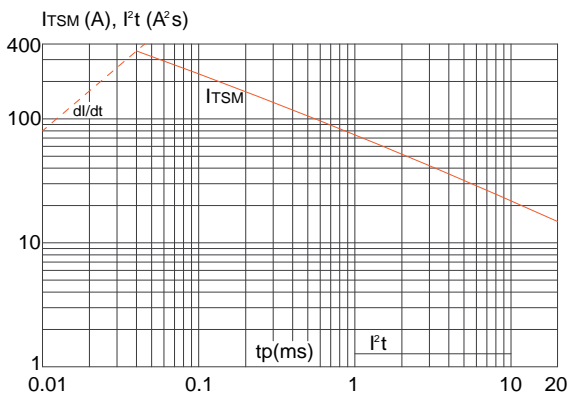
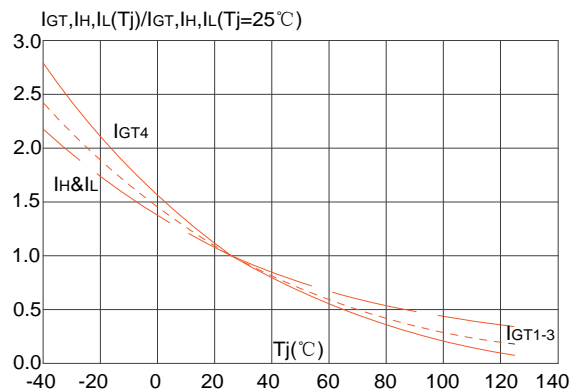
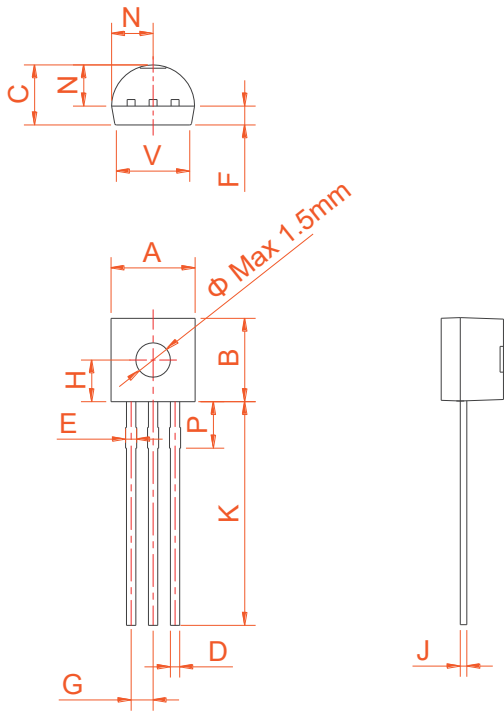


FIG6

Relative variations of gate trigger current, holding current and latching current versus junction temperature



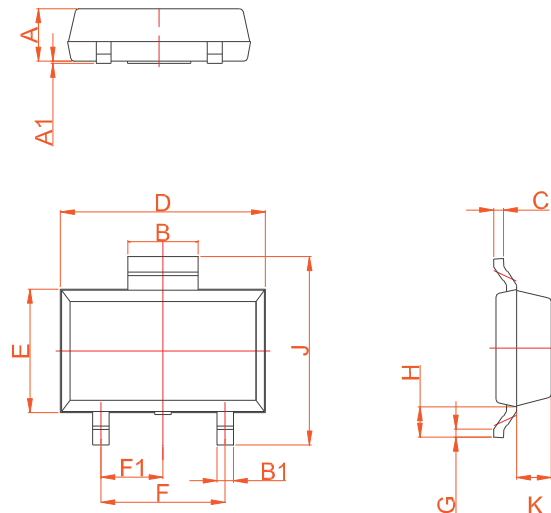
PACKAGE MECHANICAL DATA



TO-92

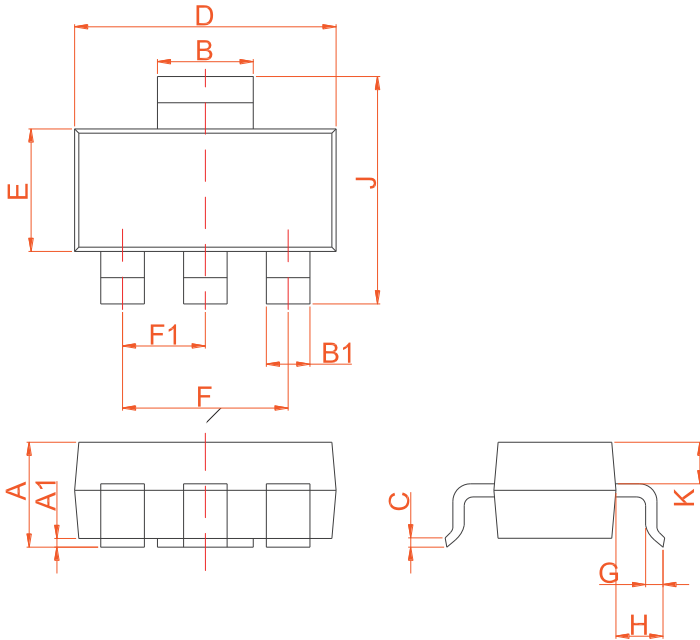
Ref.	Dimensions					
	Millimeters			Inches		
	Min.	Typ.	Max.	Min.	Typ.	Max.
A	4.45		5.20	0.175		0.205
B	4.32		5.33	0.170		0.210
C	3.18		4.19	0.125		0.165
D	0.407		0.533	0.016		0.021
E	0.60		0.80	0.024		0.031
F	-	1.1	-	-	0.043	-
G	-	1.27	-	-	0.050	-
H	-	2.30	-	-	0.091	-
J	0.36		0.50	0.014		0.020
K	12.70		15.0	0.500		0.591
N	2.04		2.66	0.080		0.105
P	1.86		2.06	0.073		0.081
V	-		4.3	-		0.169

Ref.	Dimensions					
	Millimeters			Inches		
	Min.	Typ.	Max.	Min.	Typ.	Max.
A	1.3	1.4	1.5	0.051	0.055	0.059
A1	0.01	0.06	0.10	0.001	0.002	0.004
B	1.6	1.7	1.8	0.063	0.067	0.071
B1	0.3	0.4	0.5	0.012	0.016	0.020
C	0.22	0.254	0.32	0.009	0.010	0.013
D	4.75	4.95	5.15	0.187	0.195	0.203
E	2.75	2.95	3.15	0.108	0.116	0.124
F		3.0			0.118	
F1		1.5			0.059	
G	0.2	0.3	0.4	0.008	0.012	0.016
H	0.58	0.78	0.98	0.023	0.031	0.039
J	4.3	4.5	4.7	0.169	0.177	0.185
K		0.88			0.035	



SOT-89-2L

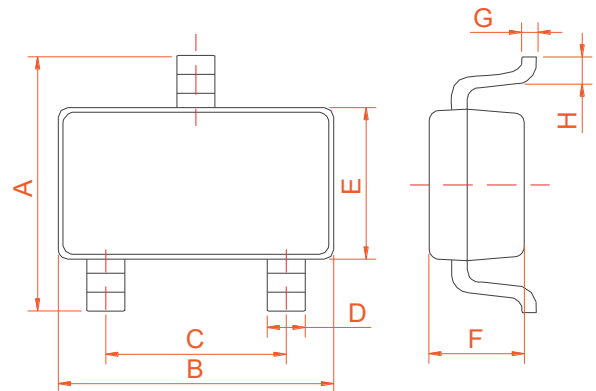
PACKAGE MECHANICAL DATA



SOT-223

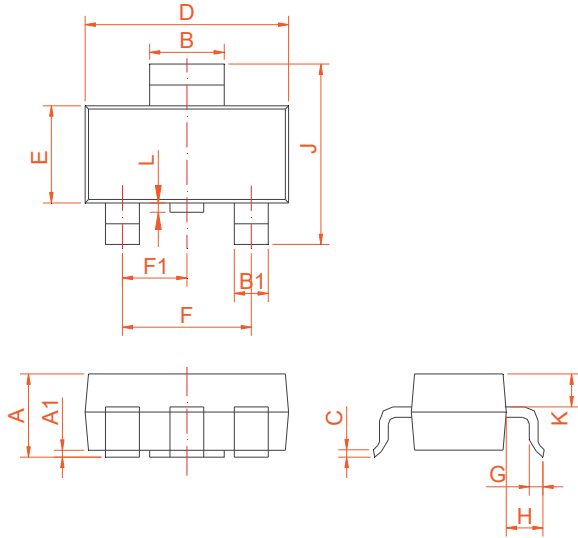
Ref.	Dimensions					
	Millimeters			Inches		
	Min.	Typ.	Max.	Min.	Typ.	Max.
A	1.5	1.6	1.8	0.059	0.063	0.071
A1	0	0.06	0.10	0	0.002	0.004
B	2.9	3.0	3.1	0.114	0.118	0.122
B1	0.6	0.7	0.8	0.024	0.028	0.031
C	0.22	0.26	0.32	0.009	0.010	0.013
D	6.3	6.5	6.7	0.248	0.256	0.264
E	3.3	3.5	3.7	0.130	0.138	0.146
F		4.6			0.181	
F1		2.3			0.091	
G	0.7	0.9	1.1	0.028	0.035	0.043
H	1.5	1.75	2.0	0.059	0.069	0.079
J	6.7	7.0	7.3	0.264	0.276	0.287
K	0.8	0.9	1.0	0.031	0.035	0.039

Ref.	Dimensions					
	Millimeters			Inches		
	Min.	Typ.	Max.	Min.	Typ.	Max.
A	2.65		2.95	0.104		0.116
B		2.92			0.115	
C		1.90			0.075	
D	0.34		0.36	0.013		0.014
E		1.60			0.063	
F		1.17			0.046	
G		0.15			0.006	
H	0.25		0.55	0.010		0.022



SOT-23-3L

PACKAGE MECHANICAL DATA



SOT-223-2L

Ref.	Dimensions					
	Millimeters			Inches		
	Min.	Typ.	Max.	Min.	Typ.	Max.
A	1.50	1.60	1.80	0.059	0.063	0.071
A1	0.01	0.06	0.10	0.001	0.002	0.004
B	2.90	3.00	3.10	0.114	0.118	0.122
B1	0.60	0.70	0.80	0.024	0.028	0.031
C	0.22	0.254	0.32	0.009	0.010	0.013
D	6.30	6.50	6.70	0.248	0.256	0.264
E	3.30	3.50	3.70	0.130	0.138	0.146
F		4.60			0.181	
F1		2.30			0.091	
G	0.70	0.90	1.10	0.028	0.035	0.043
H	1.50	1.75	2.00	0.059	0.069	0.079
J	6.70	7.00	7.30	0.264	0.276	0.287
K		0.90			0.035	
L	0	0.10	0.20	0	0.004	0.008

Information furnished is believed to be accurate and reliable. However, Shenzhen HanKingyuan Electronic assumes no responsibility for the consequences of use of such information nor for any infringement of patents or other rights of third parties which may result from its use. Specifications mentioned in this publication are subject to change without notice. This publication supersedes and replaces all information previously supplied.

The KY logo is a registered trademark of Shenzhen HanKingyuan Electronic.

©2013 Shenzhen HanKingyuan Electronic - Printed in Shenzhen - All Rights Reserved

X-ON Electronics

Largest Supplier of Electrical and Electronic Components

Click to view similar products for [Triacs](#) category:

Click to view products by [Kang Yang](#) manufacturer:

Other Similar products are found below :

[BT137-600-0Q](#) [OT415Q](#) [2N6075A](#) [NTE5688](#) [BTA2008W-800D,135](#) [D31410](#) [QJ8006NH4TP](#) [QJ8010NH5TP](#) [QJ8008NH4TP](#)
[QJ8006NH4RP](#) [QJ8010RH5TP](#) [QJ8010NH4TP](#) [QJ8006LH4TP](#) [BT136-600,127](#) [BT137B-800,118](#) [BT138-800E,127](#) [BTA140-600,127](#)
[BTA208-800B,127](#) [BTA225-800B,127](#) [MAC97A6,116](#) [BTA420-800BT,127](#) [BTA201W-800E,115](#) [BTA212B-800B,118](#) [MCR100-8](#) [100-8](#)
[MCR100-6](#) [MCR100-8](#) [BT136S-800E](#) [MAC97A8](#) [BT169-89-2L](#) [MCR100-8](#) [ACT108-800EQP](#) [T810](#) [2P4M](#) [BT137-600E](#) [BT137-800D](#)
[BT136-800E](#) [BT151](#) [BT137-800E](#) [BTB08-600CW](#) [BTB06-600CW](#) [BT138-800E](#) [BT152](#) [BT131-800T](#) [BT131-600D](#) [MCR18](#) [BTA16-800B](#)
[BTA20-800B](#) [BTA16-800SW](#) [Z0103](#) [BT137-800E](#)