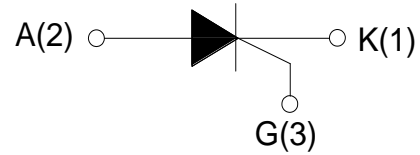
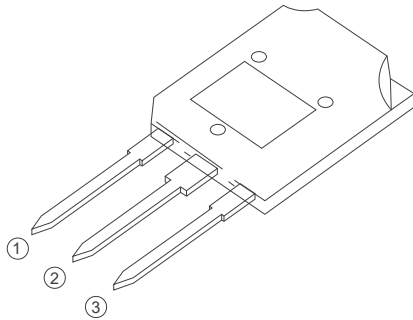


TYN8012 Series  
80A SCRs  
Standard SCRs



TO-247S

**FEATURES**

> IT(RMS):80A    > VGT: 1.5V    > VDRM VRRM:1200Vand1600V

**APPLICATIONS**

Washing machine,vacuums, massager,solid state relay , AC Motor speed regulation and so on.

**Absolute Maximum Ratings** (Tj=25°C unless otherwise specified)

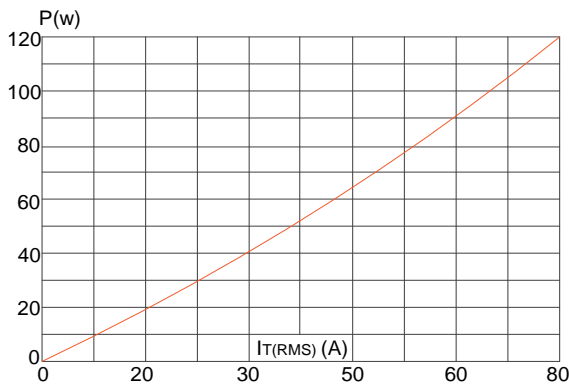
Symbol	Parameter	Conditions	Ratings	Unit
VDRM VRRM	Repetitive Peak Off-State Voltage	TYN8012	1200	V
		TYN8016	1600	V
IT(RMS)	R.M.S On-State Current		80	A
ITSM	Surge On-State Current	F=50Hz, tp=10ms/8.3ms	800	A
I <sup>2</sup> t	I <sup>2</sup> t for fusing	Tp=10ms	7800	A <sup>2</sup> s
PG(AV)	Average Gate Power Dissipation	Tj=125°C	1	W
PGM	Peak Gate Current	Tj=125°C	5	W
IGM	Peak Gate Current	tp=10us	4	A
Tj	Operating Junction Temperature		~40~125	°C
TSTG	Storage Temperature		~40~150	°C

**Electrical Characteristics** (Tj=25°C unless otherwise specified)

Symbol	Parameter	Test Conditions	Value	Unit
IDRM	Repetitive Peak Off-State Current	Tc=25°C	≤50	uA
		Tc=125°C	≤10	mA
IRRM	Repetitive Peak Reverse Current	Tc=25°C	≤50	uA
		Tc=125°C	≤10	mA
VTM	Forward "on" voltage	IT=100A tp=380us	≤1.8	V
VGD	Gate nontrigger voltage	VD=VDRM, Tj=125°C, RL=3.3KΩ	≥0.25	V
IL	Latching current	IG=1.2IGT	≤200	mA
IH	Holding current	VD=12V, IGT=0.1A	≤150	mA
VGT	Gate trigger voltage	VD=12V	≤1.5	V
IGT	Gate trigger current	VD=12V, IT=0.1A	≤80	mA
dv/dt	Critical-rate of rise of commutation voltage	VD=2/3VDRM, Tj=125°C, gate open circuit	≥1000	V/us
di/dt	Critical-rate of rise of commutation current	IG=2XIG, tr100us, Tj=125°C	≥150	A/us
Rth(j-c)	Thermal resistance	Junction to case	0.43	°C/W

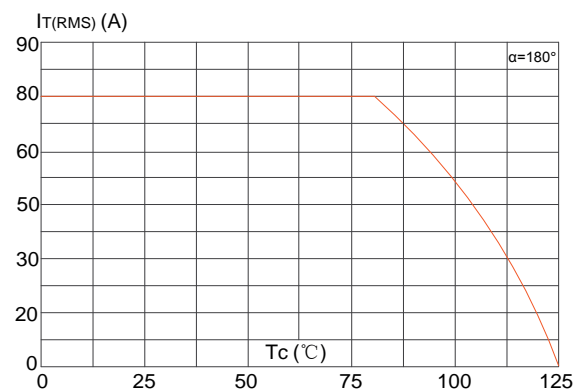
**FIG1**

Maximum power dissipation versus RMS on-state current



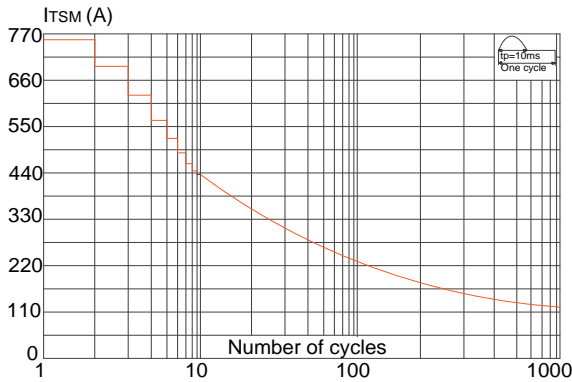
**FIG2**

RMS on-state current versus case temperature



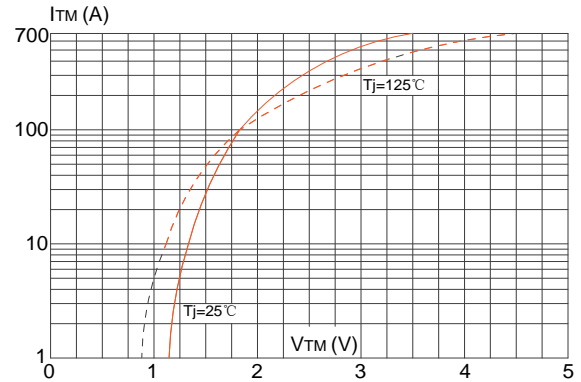
**FIG3**

Surge peak on-state current versus number of cycles



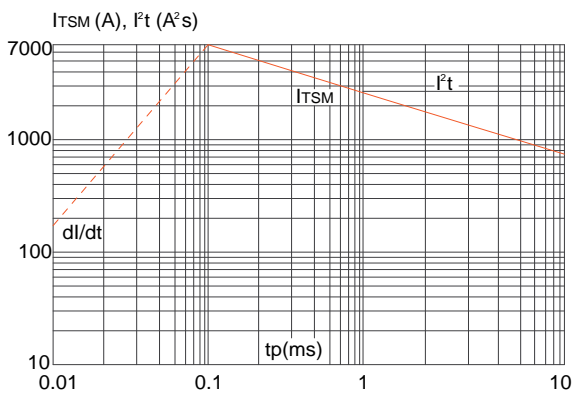
**FIG4**

On-state characteristics (maximum values)



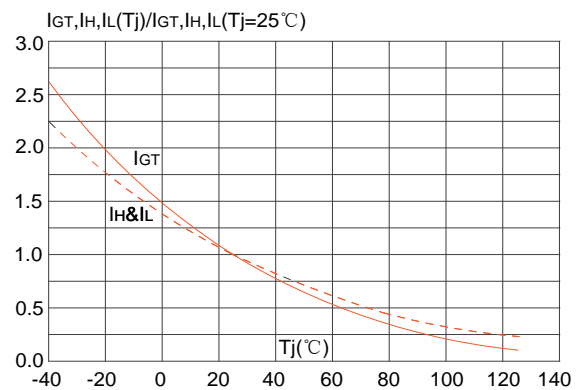
**FIG5**

Non-repetitive surge peak on-state current for a sinusoidal pulse with width  $t_p < 20\text{ms}$ , and corresponding value of  $I^2t$  ( $di/dt < 100\text{A}/\mu\text{s}$ )

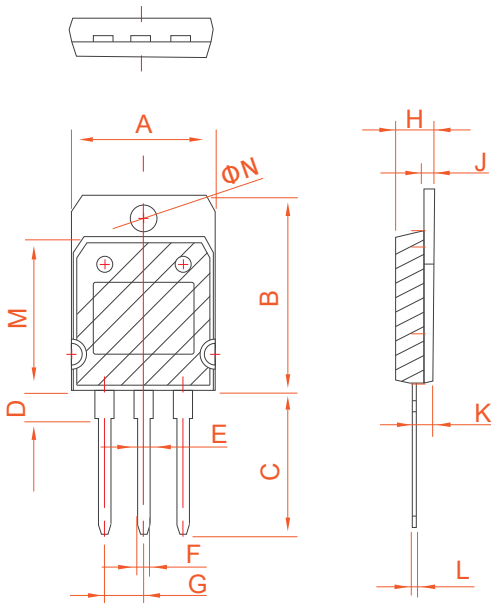


**FIG6**

**FIG.6:** Relative variations of gate trigger current, holding current and latching current versus junction temperature



**PACKAGE MECHANICAL DATA**



ITO-247 (Ins)

Ref.	Dimensions					
	Millimeters			Inches		
	Min.	Typ.	Max.	Min.	Typ.	Max.
A	19.7	19.9	20.1	0.776	0.783	0.791
B	26.9	27.1	27.3	1.059	1.067	1.075
C	19.4	19.9	20.4	0.764	0.783	0.803
D	3.80	3.90	4.00	0.150	0.154	0.157
E	2.56	2.66	2.76	0.101	0.105	0.109
F	1.66	1.76	1.86	0.065	0.069	0.073
G		5.45			0.215	
H	5.05	5.10	5.50	0.199	0.201	0.217
J	1.45	1.50	1.55	0.057	0.059	0.061
K	2.20	2.30	2.40	0.087	0.091	0.094
L	0.60	0.70	0.80	0.024	0.028	0.031
M	21.2	21.3	21.4	0.835	0.839	0.843
N	3.20	3.30	3.40	0.126	0.130	0.134

Information furnished is believed to be accurate and reliable. However, Shenzhen HanKingyuan Electronic assumes no responsibility for the consequences of use of such information nor for any infringement of patents or other rights of third parties which may result from its use. Specifications mentioned in this publication are subject to change without notice. This publication supersedes and replaces all information previously supplied.

The KY logo is a registered trademark of Shenzhen HanKingyuan Electronic.

©2013 Shenzhen HanKingyuan Electronic - Printed in Shenzhen - All Rights Reserved

## X-ON Electronics

Largest Supplier of Electrical and Electronic Components

*Click to view similar products for [Triacs](#) category:*

*Click to view products by [Kang Yang](#) manufacturer:*

Other Similar products are found below :

[BT137-600-0Q](#) [OT415Q](#) [2N6075A](#) [NTE5688](#) [BTA2008W-800D,135](#) [D31410](#) [ACS102-5T1](#) [ACS102-5TA](#) [MAC97A4G](#) [Z0107MAG](#)  
[Z0107MARL1G](#) [Z0109MARLRPG](#) [MAC97A8-TA](#) [BT131W-800](#) [BT138S-800E](#) [BT137S-800E](#) [BT136S-600D](#) [BTA08-600TWRG](#)  
[X0405MF-252](#) [MAC97A8-23-3L](#) [MCR100-8-23-3L](#) [BTA24-800B](#) [BT151-600R](#) [BT131](#) [BTA41-1200B](#) [MCR16](#) [MCR100-8](#) [MCR16](#)  
[BT131-800D](#) [BT134-800E](#) [BT138-800E](#) [MCR100-8](#) [BTA12-800BWRG\(UMW\)](#) [BTA24-600BWRG\(UMW\)](#) [BTA24-800BWRG\(UMW\)](#)  
[BTA12-600BWRG\(UMW\)](#) [BTA16-600CRG\(UMW\)](#) [BTA12-600CRG\(UMW\)](#) [BS61089B-8](#) [BT134W-600E](#) [BT134-600E](#) [JR0405S3](#)  
[BCR12PM](#) [MAC97A6](#) [BTA24-800CRG\(UMW\)](#) [BTA16-600BRG\(UMW\)](#) [BTA16-800BWRG\(UMW\)](#) [Z0109-NN](#) [BTA41](#) [MCR100-8U](#)