

7" Display

Cap. touch

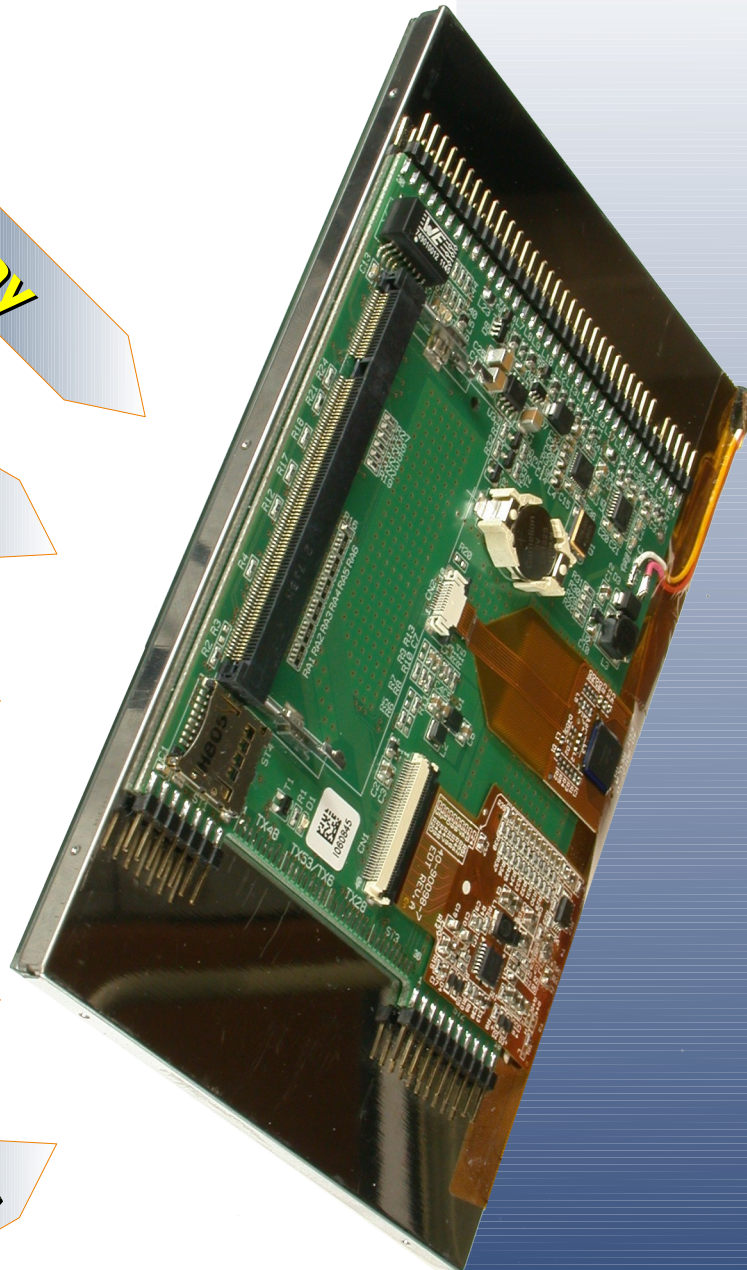
Slimline

TX CoM Socket

Easy adaption

Customizable

EMI tested



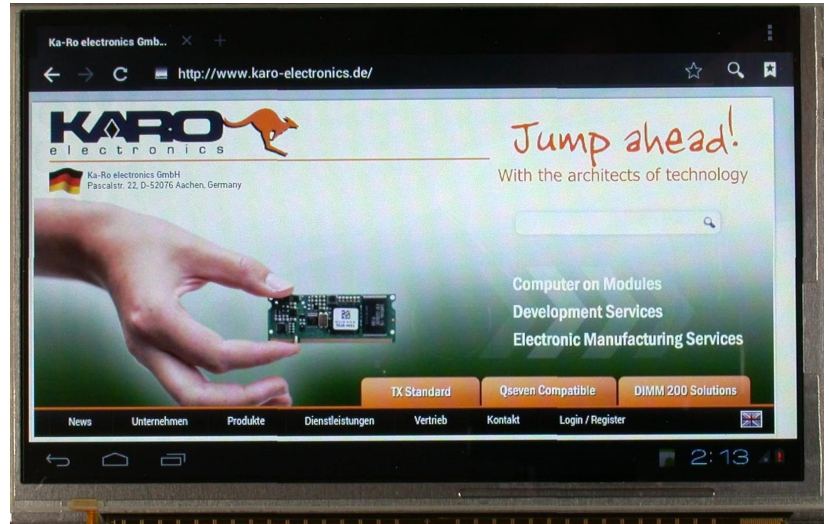
Ka-Ro TX family based HMI

Computer-on-Module and display in perfect harmony

The COMcompact TFT is a 7" display featuring a base for any Computer-on-Module belonging to the Ka-Ro TX family. With its overall height of less than 15 mm – even with the TX module integrated – the COMcompact TFT is exceptionally easy to integrate, allowing for fast application design-ins which saves time and money.

Key Features

- EDT 7" TFT WVGA 800x480
- Projective capacitive touch
- LED-Backlight / 350cd/m²
- TX Computer-On-Module socket
- Micro SD Slot
- Lithium coin socket for RTC backup
- Connect cables directly to ESD protected interfaces
- Prepared for Power over Ethernet



Interfaces

0.1" single row pin headers

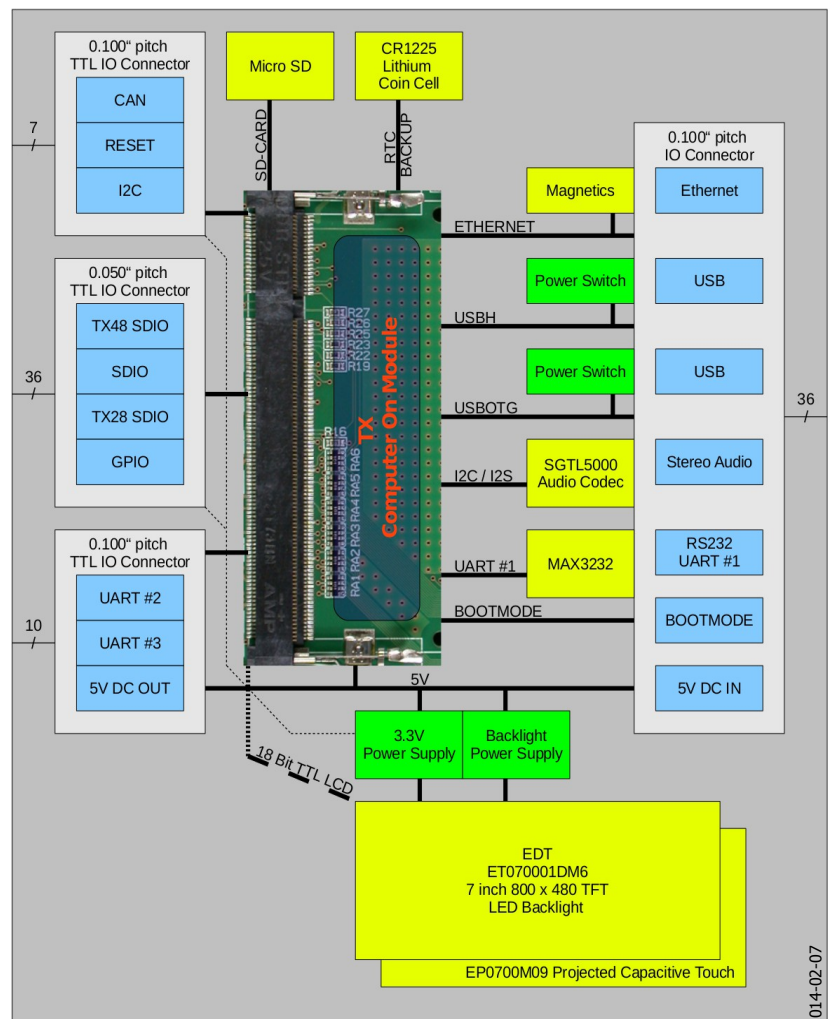
- 10/100BASE-TX Ethernet
- USB host only
- USB host/client
- Stereo audio headphone out
- Mono microphone in
- RS232 4-wire UART
- 3.3V IO CAN / I2C
- Two 3.3V IO 4-wire UARTs
- Power supply and reset

also available

- 2nd SDIO port
- SPI
- CMOS Sensor Interface
- Can also be used for up to 27 GPIOs

Technical data

- Power supply 5V DC (+/-5%), 2A max.
- Dimensions 166mm x 106mm x 14mm
- Operating Temperature -20°C .. 70°C



X-ON Electronics

Largest Supplier of Electrical and Electronic Components

Click to view similar products for [Display Development Tools](#) category:

Click to view products by [Ka-Ro](#) manufacturer:

Other Similar products are found below :

[KIT 60121-3](#) [S5U13U11P00C100](#) [MAX14521EEVKIT](#) [KIT 60145-3](#) [S5U13748P00C100](#) [DFR0413](#) [3248](#) [DLPLCR90EVM](#)
[MAX20069EVKIT#](#) [KIT95000-3](#) [LCD-16396](#) [PIM370](#) [1109](#) [MCIMX-LVDS1](#) [MIKROE-2449](#) [MIKROE-2453](#) [131](#) [DEV-13628](#) [1590](#)
[MIKROE-2269](#) [1601](#) [1770](#) [1947](#) [1983](#) [1987](#) [2050](#) [2218](#) [2219](#) [2260](#) [2345](#) [2418](#) [2423](#) [2454](#) [2455](#) [2478](#) [2674](#) [SK-220RD-PI](#) [FIT0477](#) [333](#)
[1774](#) [334](#) [TE-M321-SDK](#) [DFR0428](#) [cs-epapersk-03](#) [338](#) [DEV-14442](#) [FIT0478](#) [cs-paperino-01](#) [OM-E-OLE](#) [ALTHSMCMIPILCD](#)