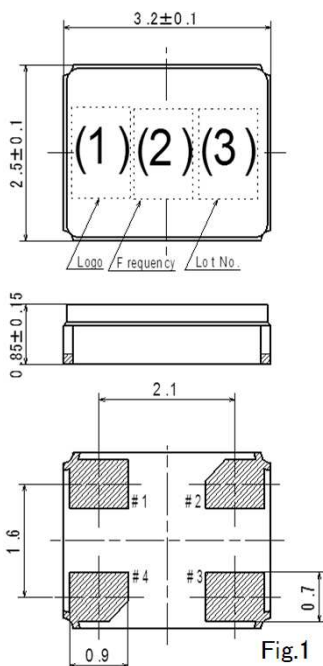


SPECIFICATION OF SURFACE MOUNT TYPE

1 .TYPE	DSX321G				
2 .NOMINAL FREQUENCY	8.000000		MHz		
3 .LOAD CAPACITANCE(CL)	8	pF			
4 .DRIVE LEVEL	10	μW	+/- 2	μW	
5 .FREQUENCY TOLERANCE	+/- 30		$\times 10^{-6}$	at 25 deg.C +/- 3	deg.C
6 .SERIES RESISTANCE	400	ohms	max.	/ CL = SERIES	
7 .FREQUENCY CHARACTERISTICS OVER TEMPERATURE(ref. +25 deg.C)	+/- 30		$\times 10^{-6}$	/ -30 deg.C to +85	deg.C
8 .OPERATING TEMPERATURE RANGE	-30	deg.C	to	+85	deg.C
9 .STORAGE TEMPERATURE RANGE	-40	deg.C	to	+85	deg.C
10 .SHUNT CAPACITANCE(C0)	2.0	pF	max.		
11 .INSULATION RESISTANCE	500	Mohms min.	at 100V DC		
12 .OVERTONE ORDER	Fundamental				
13 .DIMENSIONS	Refer to Fig-1				



(1)Logo, (2)Frequency and Manufacturing Location

Producing District	(1)Logo	(2)Frequency
Indonesia	D	08
Thailand	D	08
Taiwan	D	<u>08</u>

* Made in Indonesia : Under Bar with (1)Logo
 * Made in Thailand : Top Bar with (1)Logo
 * Made in Taiwan : Under Bar with (2)Frequency

(3)Lot No.

unit : mm
 Tolerance : +/-0.1
 Pin #2 #4 is not connected with anything.

X-ON Electronics

Largest Supplier of Electrical and Electronic Components

Click to view similar products for [Crystals](#) category:

Click to view products by [KDS](#) manufacturer:

Other Similar products are found below :

[CX3225GB25000M0PPSZ1](#) [718-13.2-1](#) [MC405 32.0000K-R3:PURE SN](#) [7A-40.000MAAE-T](#) [FL2000085](#) [99-BU](#) [9B-15.360MBBK-B](#) [9C-7.680MBBK-T](#) [H10S-12.000-18-EXT-TR](#) [ABC2-6.000MHZ-D4Z-T](#) [ABLS-20.000MHZ-D2-T](#) [ABS071-32.768KHZ-6-T](#) [R38-32.768-12.5-5PPM-NPB](#) [BTD1062E05A-513](#) [21U15A-21.4MHZ](#) [RTX-781DF1-S-20.950](#) [LFXTAL066198Cutt](#) [9C-14.31818MBBK-T](#) [A-11.000MHZ-27](#) [ABL-27.000MHZ-B4Y-T](#) [ABM11-132-24.000MHZ-T3](#) [ABM3B1-25.000MHZ-D2Y-T](#) [SPT2A-.032768B](#) [SPT2A.032768G](#) [SSPT7F-9PF20-R](#) [FX325BS-38.88EEM1201](#) [LFXTAL065253Cutt](#) [LFXTAL066431Cutt](#) [XT9S20ANA14M7456](#) [XT9SNLANA16M](#) [646G-24-2](#) [7A-24.576MBBK-T](#) [7B-30.000MBBK-T](#) [7A-14.31818MBBK-T](#) [6504-202-1501](#) [6526-202-1501](#) [ABLS-12.000MHZ-B2Y-T](#) [ABLS-10.000MHZ-D3W-T](#) [7A-10.000MBBK-T](#) [SG636PCE-20.000MC](#) [3404](#) [E1SAA18-25.000M TR](#) [CM315D32768EZFT](#) [C1E-24.000-7-2020-R](#) [C1E-19.200-12-1530-X-R](#) [C1E-16.000-12-1530-X-R](#) [FL5000014](#) [EUCA18-3.1872M](#) [FX0800015](#) [425F35E027M0000](#)