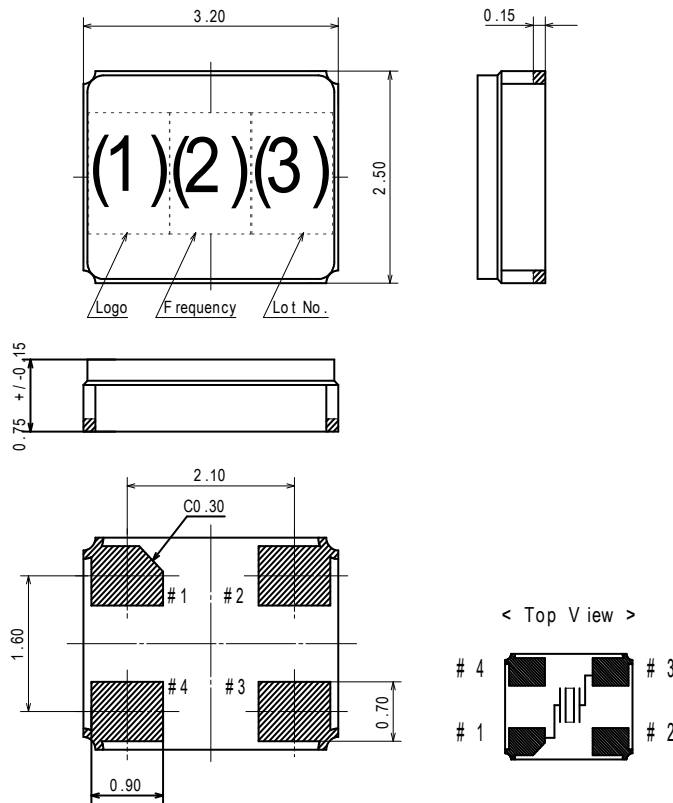


SPECIFICATION OF SURFACE MOUNT TYPE

| | |
|---|---|
| 1 .TYPE | DSX321G |
| 2 .NOMINAL FREQUENCY | 10.000000 MHz |
| 3 .LOAD CAPACITANCE(CL) | 12.0 pF |
| 4 .DRIVE LEVEL | 10 uW +/- 2 uW |
| 5 .FREQUENCY TOLERANCE | +/- 20 × 10 ⁻⁶ at 25 deg.C +/- 3 deg.C |
| 6 .SERIES RESISTANCE | 150 ohms max. / CL = SERIES |
| 7 .FREQUENCY CHARACTERISTICS OVER TEMPERATURE | +/- 20 × 10 ⁻⁶ / -20 deg.C to +70 deg.C (ref. +25 deg.C) |
| 8 .OPERATING TEMPERATURE RANGE | -20 deg.C to +70 deg.C |
| 9 .STORAGE TEMPERATURE RANGE | -40 deg.C to +85 deg.C |
| 10 .SHUNT CAPACITANCE(C0) | 2.0 pF max. |
| 11 .INSULATION RESISTANCE | 500 Mohms min. at 100V DC |
| 12 .OVERTONE ORDER | Fundamental |
| 13 .DIMENSIONS | Refer to Fig-1 |



- (1). Logo and Manufacturing Location
 D : Japan
 D̄ : Indonesia
- (2). Freq. 10
- (3). Lot No.

unit : mm
 Tolerance : +/-0.1
 Pin #2 #4 is not connected with anything.
 Pin #2 #4 must be connected with GND.

Fig.-1

X-ON Electronics

Largest Supplier of Electrical and Electronic Components

Click to view similar products for [Resonators](#) category:

Click to view products by [KDS](#) manufacturer:

Other Similar products are found below :

[B39431R820H210](#) [CSAC2.00MGCM-TC](#) [ECS-HFR-40.00-B-TR](#) [CSTLS4M00G53Z-A0](#) [ZTB455E](#) [ECS-CR2-16.00-A-TR](#) [ECS-HFR-20.00-B-TR](#) [ECS-CR2-20.00-A-TR](#) [RO3164E-3](#) [ASR418S2-T](#) [CSTNE10M0G520000R0](#) [CSTLS8M00G53093-A0](#) [CSTNE12M0G52A000R0](#) [CSTLS18M4X54-A0](#) [CSTLS16M9X53Z-B0](#) [CSTLS24M0X51-A0](#) [CSTLS25M0X51-B0](#) [CSTLS18M0X51-B0](#) [CSTLS4M00G53093-A0](#) [CSTLS18M4X53-A0](#) [CSTNE16M0V510000R0](#) [CSTLS30M0X53-B0](#) [CSTLS33M8X53-B0](#) [CSTLS16M9X53-A0](#) [CSTLS6M40G56-B0](#) [CSTLS6M25G56-A0](#) [CSTNE14M7V510000R0](#) [CSTLS18M4X53-B0](#) [CSTLS33M0X51-B0](#) [CSTLS5M50G56-B0](#) [7B008000I01](#) [7D038400I01](#) [TAXM24M2ILDBET2T](#) [TAXM26M2IHDBET2T](#) [146-32.768-12.5-20-20/A](#) [3225-24.00-12-10-10/A](#) [7B009843M01](#) [CF4016M00009T8188042](#) [S32400001B0730D1JB](#) [X252016MLB4SI](#) [Q24FA20H00389](#) [CSTLS16M0X54-B0](#) [CSTLS4M19G56-B0](#) [9AC04194152080D2JB](#) [CST3.58MGW](#) [CSTCR4M91G55B-R0](#) [CSTLS3M68G56-B0](#) [S2100327072090](#) [FC-12M32.768KHZ9PF20PPM](#) [7Y032768NW2](#)