

1. Device Name VC-TCXO
2. Model Name DSA535SC
3. Nominal Frequency 15.600 MHz
4. Mass 0.08g max.
5. Absolute Maximum Ratings

	Item	Symbol	Rating	unit
1	Supply Voltage	V _{CC}	-0.3 ~ +6.0	V
2	Storage Temperature Range	T _{STR}	-40 ~ +85	°C

6. Recommended Operating Conditions

	Item	Symbol	min.	typ.	max.	unit
1	Supply Voltage	V _{CC}	+4.75	+5.0	+5.25	V
2	Load impedance (resistance part) (parallel capacitance)	LOAD_R	9	10	11	kΩ
		LOAD_C	9	10	11	pF
3	Control Voltage Range	V _{CONT}	+0.5	+1.5	+2.5	V
4	Operable Temperature Range	T _{OPR}	-30	-	+85	°C

7. Electrical Characteristics

(T_A = -30 ~ +85 °C, LOAD_R//C = 10kΩ//10pF, V_{CC} = +5.0V, V_{CONT} = +1.5V unless otherwise noted)

	Item	Conditions	Limits			unit	Notes
			min.	typ.	max.		
1	Current consumption		-	-	1.5	mA	
2	Output Level		0.8	-	-	V _{P-P}	1
3	Symmetry	GND level (DC cut)	40/60	-	60/40	%	
4	Harmonics		-	-	-10	dBc	
5	Frequency Stability 1. Tolerance	At shipping	-	-	±1.5	ppm	2
		After 2 times reflow	-	-	±2.5	ppm	2,3
	2. vs Temperature	T _A = -30 ~ +85 °C Ref. to Frequency (T _A = +25 °C)	-	-	±2.5	ppm	
	3. vs Supply Voltage	V _{CC} = +5.0V ±5%	-	-	±0.3	ppm	
	4. vs Load Variation	LOAD_R//C = (10kΩ//10pF) ±10%	-	-	±0.2	ppm	
	5. vs. Aging	T _A = Room ambient	-	-	±1.0	ppm/year	
6	Start up Time	@90% of Final V _{OUT} level	-	-	2.0	ms	
7	Frequency Control 1. Control Range	V _{CONT} = +0.5 ~ +2.5V (Ref: +1.5V)	±9	-	±15	ppm	4
		2. Input Resistance	500	-	-	kΩ	
8	SSB Phase Noise	Relative to F0 level offset 1kHz	-	-	-125	dBc/Hz	

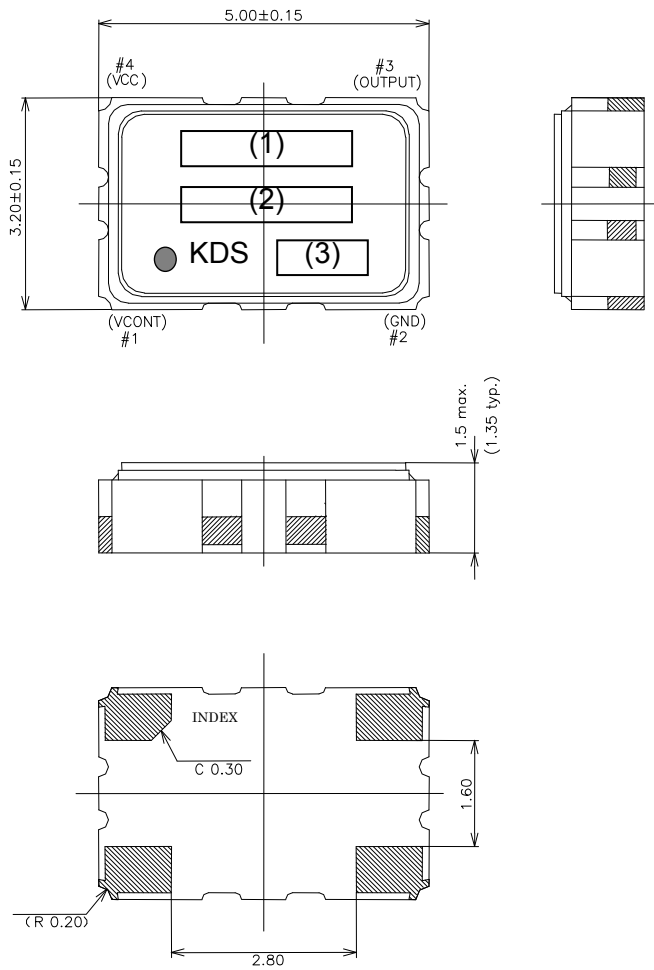
Notes

- 1 Clipped sine wave (DC-coupled)
- 2 Ref. to Nominal Frequency
- 3 Please leave after Reflow in 2h or more at room ambient
- 4 Positive slope (Frequency becomes high in proportion to frequency control voltage.)

TITLE VC-TCXO SPECIFICATION	Remark T16-0489
Date 2016/09/12	Spec. No. 1XTQ15600UBB
	Rev. -
	Page 1/2

8. Outline, Pin Connections

Outline



Pin Connections

Pin No.	Connection
#1	V _{CONT}
#2	GND
#3	Output
#4	V _{CC}

Marking

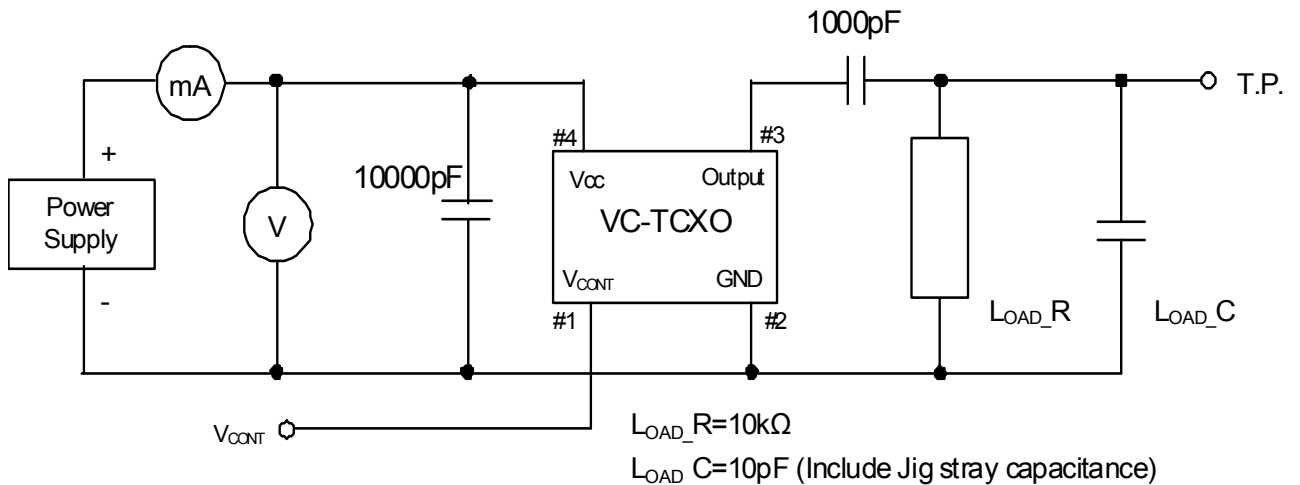
(1) Frequency	15600 (kHz, 5digits)
(2) Model code	A535SC
(3) Date code	Year (1digit) + Week (2digits) e.g.2016/1/1 → 601

unit: mm

Dimensional Tolerance: ±0.15

(Unless otherwise noted)

9. Measurement Circuit



TITLE
VC-TCXO SPECIFICATION

Remark
T16-0489

Date
2016/09/12

Spec. No.
1XTQ15600UBB

Rev.
-
Page
2/2

X-ON Electronics

Largest Supplier of Electrical and Electronic Components

Click to view similar products for [Standard Clock Oscillators](#) category:

Click to view products by [KDS](#) manufacturer:

Other Similar products are found below :

[EP1400SJTSC-125.000M](#) [601137](#) [601252](#) [CSX750FBC-24.000M-UT](#) [CSX750FBC-33.333M-UT](#) [CSX750FCC-3.6864M-UT](#) [F335-12](#) [F335-25](#) [F535L-50](#) [DSC506-03FM2](#) [ASA-20.000MHZ-L-T](#) [ASA-25.000MHZ-L-T](#) [ASA-27.000MHZ-L-T](#) [ASV-20.000MHZ-LR-T](#) [ECS-2018-160-BN-TR](#) [EL13C7-H2F-125.00M](#) [MXO45HS-2C-66.6666MHZ](#) [NBXDBB017LN1TAG](#) [NBXHBA019LN1TAG](#) [SiT1602BI-22-33E-50.000000E](#) [SIT8003AC-11-33S-2.04800X](#) [SiT8256AC-23-33E-156.250000X](#) [SIT8918AA-11-33S-50.000000G](#) [SM4420TEV-40.0M-T1K](#) [SMA4306-TL-H](#) [F335-24](#) [F335-40](#) [F335-50](#) [F535L-10](#) [F535L-12](#) [F535L-16](#) [F535L-24](#) [F535L-27](#) [F535L-48](#) [PE7744DW-100.0M](#) [CSX750FBC-20.000M-UT](#) [CSX-750FBC33333000T](#) [CSX750FBC-4.000M-UT](#) [CSX750FBC-7.3728M-UT](#) [CSX750FBC-8.000M-UT](#) [CSX-750FCC14745600T](#) [CSX750FCC-16.000M-UT](#) [CSX-750FCC40000000T](#) [CSX750FCC-4.000M-UT](#) [ASA-22.000MHZ-L-T](#) [ASA2-26.000MHZ-L-T](#) [ASA-40.000MHZ-L-T](#) [ASA-48.000MHZ-L-T](#) [ASA-60.000MHZ-L-T](#) [ASF1-3.686MHZ-N-K-S](#)