

1. Device Name TCXO
2. Model Name DSB321SDN
3. Nominal Frequency 12.288 MHz
4. Mass 0.03g max.
5. Absolute Maximum Ratings

	Item	Symbol	Rating	unit
1	Supply Voltage	V _{CC}	-0.3 ~ +6.0	V
2	Storage Temperature Range	T _{STG}	-40 ~ +85	°C

6. Recommended Operating Conditions

	Item	Symbol	min.	typ.	max.	unit
1	Supply Voltage	V _{CC}	+2.85	+3.0	+3.15	V
2	Load Impedance (resistance part) (parallel capacitance)	L _{LOAD_R}	9	10	11	kΩ
		L _{LOAD_C}	9	10	11	pF
3	Operable Temperature Range	T _{OPR}	-30	-	+85	°C

7. Electrical Characteristics

(T_A=-30 ~ +85°C, L_{LOAD_R}//C=10kΩ//10pF, V_{CC}=+3.0V, unless otherwise noted)

	Item	Conditions	Limits			unit	Notes
			min.	typ.	max.		
1	Current Consumption		-	-	1.4	mA	
2	Output Level		0.8	-	-	V _{P-P}	1
3	Symmetry	GND level(DC cut)	40/60	-	60/40	%	
4	Frequency Stability						
	1.Tolerance	After 2 times reflow	-	-	±1.5	ppm	2,3
	2.vs Temperature	T _A =-30 ~ +85°C	-	-	±2.0	ppm	4
	3.vs Supply Voltage	V _{CC} =+3.0V±5%	-	-	±0.2	ppm	
	4.vs Load Variation	L _{LOAD_R} //C=(10kΩ//10pF)±10%	-	-	±0.2	ppm	
	5.vs Aging	T _A =Room ambient	-	-	±1.0	ppm/year	
5	Start Up	@90% of final V _{out} level	-	-	2.0	ms	
6	SSB Phase Noise	Relative to F0 level offset 1kHz	-	-	-125	dBc/Hz	

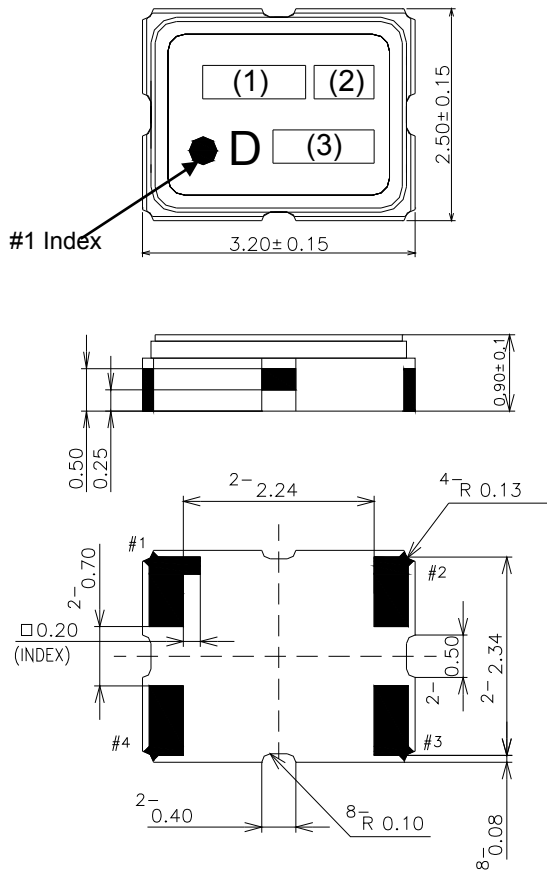
Notes

1. Clipped sine wave (DC-coupled)
2. Ref. to Nominal Frequency.
3. Please leave after reflow in 2-hour or more at room ambient.
4. Ref. to Frequency (T_A=+25 °C)

TITLE TCXO SPECIFICATION		Remark		
Date 2015/05/11	Spec. No.	Rev. -	Page 1/2	

8. Outline, Pin Connections

Outline



Pin Connections

Pin No.	Connection
#1	GND
#2	GND
#3	OUTPUT
#4	Vcc

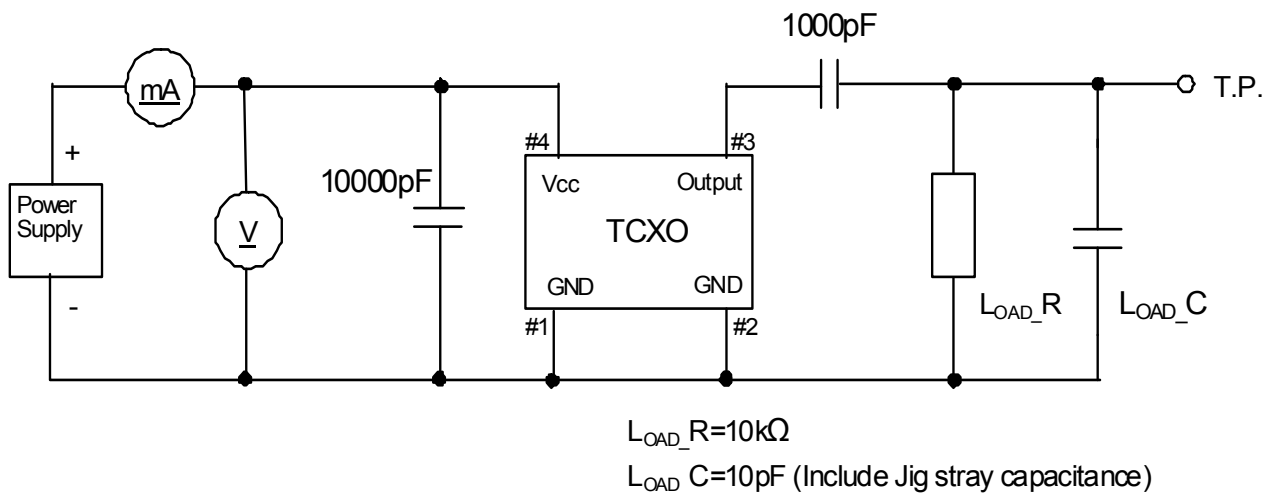
Marking

(1) Frequency 12.28(MHz, 4digits)
 (2) Model code BN
 (3) EIA Date code Year(1digit)+Week(2digits)
 e.g. 2015/1/1 → 501

unit : mm

Dimensional Tolerance: ±0.15
 (Unless otherwise noted)

9. Measurement Circuit



TITLE
TCXO SPECIFICATION

Remark

Date
2015/05/11

Spec. No.

Rev.
-

Page
2/2

X-ON Electronics

Largest Supplier of Electrical and Electronic Components

Click to view similar products for [Standard Clock Oscillators](#) category:

Click to view products by [KDS](#) manufacturer:

Other Similar products are found below :

[601252](#) [F335-25](#) [F535L-33.333](#) [F535L-50](#) [ASV-20.000MHZ-LR-T](#) [ECS-2018-160-BN-TR](#) [MXO45HS-2C-66.6666MHZ](#) [SiT1602BI-22-33E-50.000000E](#) [SiT8209AI-32-33E-125.000000](#) [SIT8918AA-11-33S-50.000000G](#) [SM4420TEV-40.0M-T1K](#) [SMA4306-TL-H](#) [F335-24](#) [F335-40](#) [F535L-10](#) [F535L-12](#) [F535L-16](#) [F535L-24](#) [F535L-27](#) [F535L-48](#) [PE7744DW-100.0M](#) [ASF1-3.686MHZ-N-K-S](#) [ASV-4.000MHZ-LCS-T](#) [XLH735025.000JU4I8](#) [XLP725125.000JU6I8](#) [XO57CTECNA3M6864](#) [ECS-2100A-147.4](#) [601251](#) [EP16E7E2H26.000MTR](#) [SiT8503AI-18-33E-0.200000X](#) [SIT8918AA-11-33S-16.000000G](#) [SIT9122AI2C233E300.000000X](#) [XO37CTECNA20M](#) [XO3003](#) [9120AC-2D2-33E212.500000](#) [9102AI-243N25E100.00000](#) [8208AC-82-18E-25.00000](#) [ASDK2-32.768KHZ-LR-T3](#) [8008AI-72-XXE-24.545454E](#) [8004AC-13-33E-133.33000X](#) [AS-4.9152-16-SMD-TR](#) [ASFL1-48.000MHZ-LC-T](#) [632L3I004M00000](#) [SIT8920AM-31-33E-25.0000](#) [DSC1028DI2-019.2000](#) [9121AC-2C3-25E100.00000](#) [9102AI-233N33E100.00000X](#) [9102AI-233N25E200.00000](#) [9102AI-232H25S125.00000](#) [9102AI-133N25E200.00000](#)