

1. Device Name TCXO
2. Model Name DSB321SDN
3. Nominal Frequency 30.720 MHz
4. Mass 0.03g max.
5. Absolute Maximum Ratings

	Item	Symbol	Rating	unit
1	Supply Voltage	V _{CC}	-0.3 ~ +6.0	V
2	Storage Temperature Range	T _{STG}	-40 ~ +85	°C

6. Recommended Operating Conditions

	Item	Symbol	min.	typ.	max.	unit
1	Supply Voltage	V _{CC}	+3.15	+3.3	+3.45	V
2	Load Impedance (resistance part) (parallel capacitance)	L _{LOAD_R}	9	10	11	kΩ
		L _{LOAD_C}	9	10	11	pF
3	Operable Temperature Range	T _{OPR}	-30	-	+85	°C

7. Electrical Characteristics

(T_A=-30 ~ +85 °C, L_{oad}_R//C=10kΩ//10pF, V_{CC}=+3.3V, unless otherwise noted)

	Item	Conditions	Limits			unit	Notes
			min.	typ	max.		
1	Current Consumption		-	-	1.5	mA	
2	Output Level		0.8	-	-	V _{P-P}	1
3	Symmetry	GND level(DC cut)	40/60	-	60/40	%	
4	Harmonics		-	-	-5	dBc	
5	Frequency Stability						
	1.Tolerance	After 2 times reflow Ref. to Nominal Frequency	-	-	±1.5	ppm	2
	2.vs Temperature	T _A =-30 ~ +85 °C Ref. to Frequency(T _A =+25°C)	-	-	±0.5	ppm	
	3.vs Supply Voltage	V _{CC} =+3.3V±5%	-	-	±0.2	ppm	
	4.vs Load Variation	L _{oad} _R//C=(10kΩ//10pF)±10%	-	-	±0.2	ppm	
	5.vs Aging	T _A =Room ambient	-	-	±1.0	ppm/year	
6	Start Up	@90% of final V _{out} level	-	-	2.0	ms	
7	SSB Phase Noise	Relative to F0 level offset 1kHz	-	-	-130	dBc/Hz	

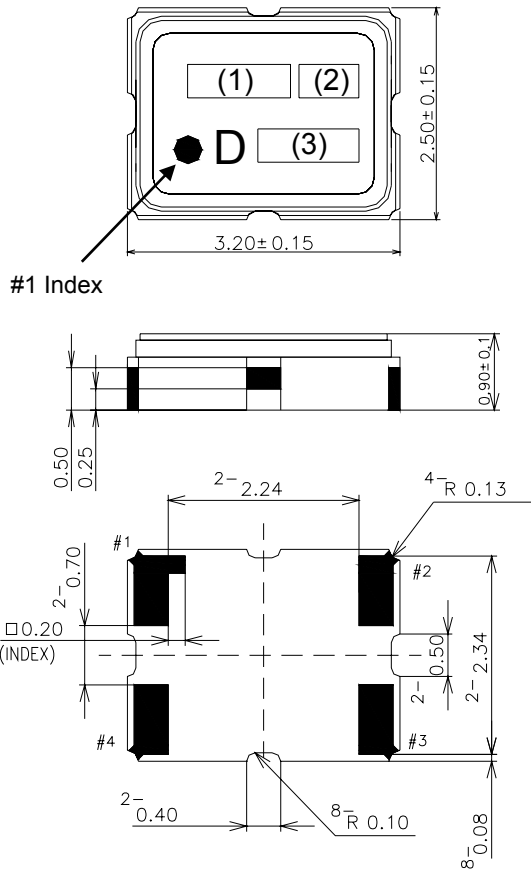
Notes

1. Clipped sine wave (DC-coupled)
2. Please leave after reflow in 2-hour or more at room ambient.

TITLE DSB321SDN TYPE SPECIFICATION		Remark		
Date 2019/07/01	Spec. No. 1XTW30720MAA	Rev. -	Page 1/13	

8. Outline, Pin Connections

Outline



Pin Connections

Pin No.	Connection
#1	GND
#2	GND
#3	OUTPUT
#4	Vcc

Marking

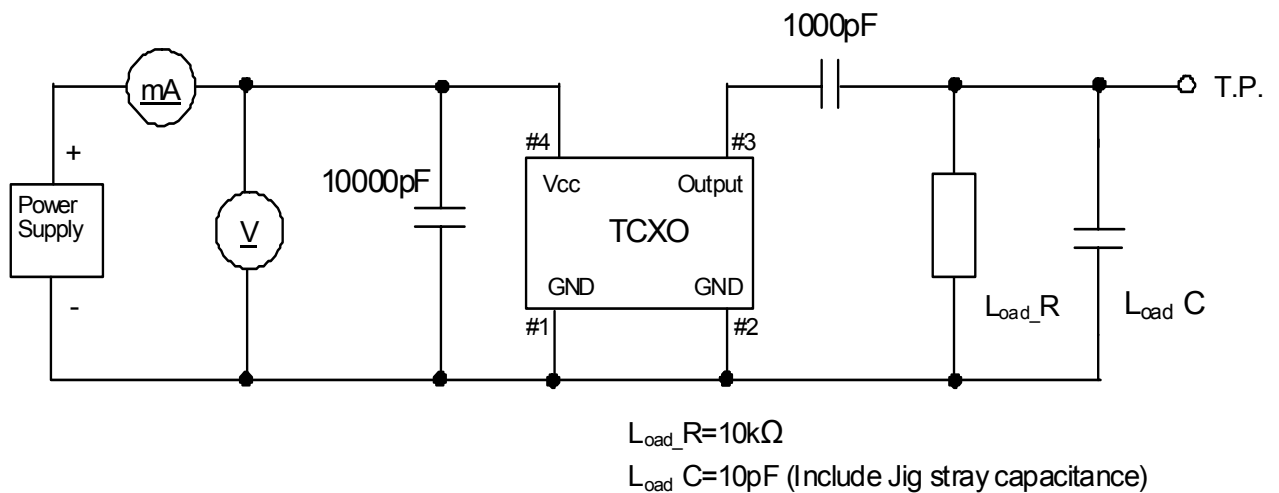
- (1) Frequency 30.72 (MHz, 4digits)
- (2) Model code BN
- (3) EIA Date code Year(1digit)+Week(2digits)
e.g. 2019/1/1 → 901

unit : mm

Dimensional Tolerance: ±0.15

(Unless otherwise noted)

9. Measurement Circuit



TITLE
DSB321SDN TYPE SPECIFICATION

Remark

Date
2019/07/01

Spec. No.
1XTW30720MAA

Rev.
-

Page
2/13

X-ON Electronics

Largest Supplier of Electrical and Electronic Components

Click to view similar products for [Standard Clock Oscillators](#) category:

Click to view products by [KDS](#) manufacturer:

Other Similar products are found below :

[EP1400SJTSC-125.000M](#) [601137](#) [601252](#) [CSX750FBC-24.000M-UT](#) [CSX750FBC-33.333M-UT](#) [CSX750FCC-3.6864M-UT](#) [F335-12](#) [F335-25](#) [F535L-50](#) [DSC506-03FM2](#) [ASA-20.000MHZ-L-T](#) [ASA-25.000MHZ-L-T](#) [ASA-27.000MHZ-L-T](#) [ASV-20.000MHZ-LR-T](#) [ECS-2018-160-BN-TR](#) [EL13C7-H2F-125.00M](#) [MXO45HS-2C-66.6666MHZ](#) [NBXDBB017LN1TAG](#) [NBXHBA019LN1TAG](#) [SiT1602BI-22-33E-50.000000E](#) [SIT8003AC-11-33S-2.04800X](#) [SiT8256AC-23-33E-156.250000X](#) [SIT8918AA-11-33S-50.000000G](#) [SM4420TEV-40.0M-T1K](#) [SMA4306-TL-H](#) [F335-24](#) [F335-40](#) [F335-50](#) [F535L-10](#) [F535L-12](#) [F535L-16](#) [F535L-24](#) [F535L-27](#) [F535L-48](#) [PE7744DW-100.0M](#) [CSX750FBC-20.000M-UT](#) [CSX-750FBC33333000T](#) [CSX750FBC-4.000M-UT](#) [CSX750FBC-7.3728M-UT](#) [CSX750FBC-8.000M-UT](#) [CSX-750FCC14745600T](#) [CSX750FCC-16.000M-UT](#) [CSX-750FCC40000000T](#) [CSX750FCC-4.000M-UT](#) [ASA-22.000MHZ-L-T](#) [ASA2-26.000MHZ-L-T](#) [ASA-40.000MHZ-L-T](#) [ASA-48.000MHZ-L-T](#) [ASA-60.000MHZ-L-T](#) [ASF1-3.686MHZ-N-K-S](#)