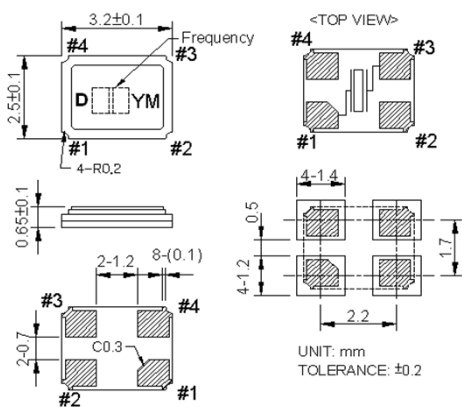


SPECIFICATION OF SURFACE MOUNT TYPE

1 .TYPE	DSX321SH			
2 .NOMINAL FREQUENCY	12.000000	MHz		
3 .LOAD CAPACITANCE(CL)	12.0	pF		
4 .DRIVE LEVEL	10	μW	+/- 2	μW
5 .FREQUENCY TOLERANCE	+/- 10	$\times 10^{-6}$	at 25 deg.C	+/- 3 deg.C
6 .SERIES RESISTANCE	80	ohms	max. /	CL = SERIES
7 .FREQUENCY CHARACTERISTICS OVER TEMPERATURE(ref. +25 deg.C)	+/- 20	$\times 10^{-6}$	/ -40 deg.C to	+85 deg.C
8 .OPERATING TEMPERATURE RANGE	-40	deg.C	to	+85 deg.C
9 .STORAGE TEMPERATURE RANGE	-40	deg.C	to	+85 deg.C
10 .SHUNT CAPACITANCE(C0)	2.0	pF	max.	
11 .INSULATION RESISTANCE	500 Mohms min. at 100V DC			
12 .OVERTONE ORDER	Fundamental			
13 .DIMENSIONS	Refer to Fig-1			



*Marking should be printed as following:
 Logo, Nominal Frequency, Manufactured year & month
 *Nominal frequency = Mark two digits from upper
 (ex. 12.000000MHz --> 12)
 *Manufacturing Lot No.
 (Y : year) ex. 2016 shall be marked as ' 6 ' (The last digit of the year)
 (M : month) ex. March shall be marked as ' C ' (As shown in Table-1.)

(Table-1.)

Month	Jan.	Feb.	Mar.	Apr.	May.	Jun.	Jul.	Aug.	Sep.	Oct.	Nov.	Dec.
Mark	A	B	C	D	E	F	G	H	J	K	L	M

Fig.1

X-ON Electronics

Largest Supplier of Electrical and Electronic Components

Click to view similar products for [Crystals](#) category:

Click to view products by [KDS](#) manufacturer:

Other Similar products are found below :

[CX3225GB25000M0PPSZ1](#) [718-13.2-1](#) [MC405 32.0000K-R3:PURE SN](#) [7A-40.000MAAE-T](#) [FL2000085](#) [99-BU](#) [9B-15.360MBBK-B](#) [9C-7.680MBBK-T](#) [H10S-12.000-18-EXT-TR](#) [ABC2-6.000MHZ-D4Z-T](#) [ABLS-20.000MHZ-D2-T](#) [ABS071-32.768KHZ-6-T](#) [R38-32.768-12.5-5PPM-NPB](#) [BTD1062E05A-513](#) [21U15A-21.4MHZ](#) [RTX-781DF1-S-20.950](#) [LFXTAL066198Cutt](#) [9C-14.31818MBBK-T](#) [A-11.000MHZ-27](#) [ABL-27.000MHZ-B4Y-T](#) [ABM11-132-24.000MHZ-T3](#) [ABM3B1-25.000MHZ-D2Y-T](#) [SPT2A-.032768B](#) [SPT2A.032768G](#) [SSPT7F-9PF20-R](#) [FX325BS-38.88EEM1201](#) [LFXTAL065253Cutt](#) [LFXTAL066431Cutt](#) [XT9S20ANA14M7456](#) [XT9SNLANA16M](#) [646G-24-2](#) [7A-24.576MBBK-T](#) [7B-30.000MBBK-T](#) [7A-14.31818MBBK-T](#) [6504-202-1501](#) [6526-202-1501](#) [ABLS-12.000MHZ-B2Y-T](#) [ABLS-10.000MHZ-D3W-T](#) [7A-10.000MBBK-T](#) [SG636PCE-20.000MC](#) [3404](#) [E1SAA18-25.000M TR](#) [CM315D32768EZFT](#) [C1E-24.000-7-2020-R](#) [C1E-19.200-12-1530-X-R](#) [C1E-16.000-12-1530-X-R](#) [FL5000014](#) [EUCA18-3.1872M](#) [FX0800015](#) [425F35E027M0000](#)