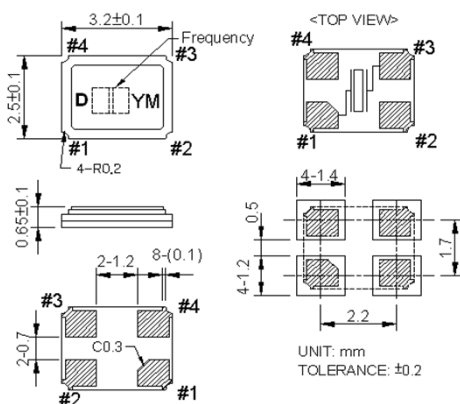


SPECIFICATION OF SURFACE MOUNT TYPE

|   |                           |         |                  |             |                        |
|---|---------------------------|---------|------------------|-------------|------------------------|
| 1 .TYPE   | DSX321SH                  |         |                  |             |                        |
| 2 .NOMINAL FREQUENCY  | 12.000000                 | MHz     |                  |             |                        |
| 3 .LOAD CAPACITANCE(CL)                                       | 12.0                      | pF      |                  |             |                        |
| 4 .DRIVE LEVEL  | 10                        | $\mu$ W | +/-              | 2           | $\mu$ W                |
| 5 .FREQUENCY TOLERANCE  | +/-                       | 30      | $\times 10^{-6}$ | at 25 deg.C | +/- 3 deg.C            |
| 6 .SERIES RESISTANCE  | 80                        | ohms    | max.             | /           | CL = SERIES            |
| 7 .FREQUENCY CHARACTERISTICS OVER TEMPERATURE(ref. +25 deg.C) | +/-                       | 30      | $\times 10^{-6}$ | /           | -20 deg.C to +75 deg.C |
| 8 .OPERATING TEMPERATURE RANGE                                | -20                       | deg.C   | to               | +75         | deg.C                  |
| 9 .STORAGE TEMPERATURE RANGE                                  | -40                       | deg.C   | to               | +85         | deg.C                  |
| 10 .SHUNT CAPACITANCE(C0)                                     | 2.0                       | pF      | max.             |             |                        |
| 11 .INSULATION RESISTANCE                                     | 500 Mohms min. at 100V DC |         |                  |             |                        |
| 12 .OVERTONE ORDER  | Fundamental               |         |                  |             |                        |
| 13 .DIMENSIONS  | Refer to Fig-1            |         |                  |             |                        |



\*Marking should be printed as following:

Logo, Nominal Frequency, Manufactured year & month

\*Nominal frequency = Mark two digits from upper  
( ex. 12.000000MHz --> 12)

\*Manufacturing Lot No.

( Y : year ) ex. 2016 shall be marked as ' 6 ' (The last digit of the year)

( M : month ) ex. March shall be marked as ' C ' (As shown in Table-1.)

(Table-1.)

| Month | Jan. | Feb. | Mar. | Apr. | May. | Jun. | Jul. | Aug. | Sep. | Oct. | Nov. | Dec. |
|-------|------|------|------|------|------|------|------|------|------|------|------|------|
| Mark  | A    | B    | C    | D    | E    | F    | G    | H    | J    | K    | L    | M    |

Fig.1

## X-ON Electronics

Largest Supplier of Electrical and Electronic Components

*Click to view similar products for [Crystals](#) category:*

*Click to view products by [KDS](#) manufacturer:*

Other Similar products are found below :

[CX3225GB25000M0PPSZ1](#) [718-13.2-1](#) [MC405 32.0000K-R3:PURE SN](#) [7A-40.000MAAE-T](#) [FL2000085](#) [99-BU](#) [9B-15.360MBBK-B](#) [9C-7.680MBBK-T](#) [H10S-12.000-18-EXT-TR](#) [ABC2-6.000MHZ-D4Z-T](#) [ABLS-20.000MHZ-D2-T](#) [ABS071-32.768KHZ-6-T](#) [R38-32.768-12.5-5PPM-NPB](#) [BTD1062E05A-513](#) [21U15A-21.4MHZ](#) [RTX-781DF1-S-20.950](#) [LFXTAL066198Cutt](#) [9C-14.31818MBBK-T](#) [A-11.000MHZ-27](#) [ABL-27.000MHZ-B4Y-T](#) [ABM11-132-24.000MHZ-T3](#) [ABM3B1-25.000MHZ-D2Y-T](#) [SPT2A-.032768B](#) [SPT2A.032768G](#) [SSPT7F-9PF20-R](#) [FX325BS-38.88EEM1201](#) [LFXTAL065253Cutt](#) [LFXTAL066431Cutt](#) [XT9S20ANA14M7456](#) [XT9SNLANA16M](#) [646G-24-2](#) [7A-24.576MBBK-T](#) [7B-30.000MBBK-T](#) [7A-14.31818MBBK-T](#) [6504-202-1501](#) [6526-202-1501](#) [ABLS-12.000MHZ-B2Y-T](#) [ABLS-10.000MHZ-D3W-T](#) [7A-10.000MBBK-T](#) [SG636PCE-20.000MC](#) [3404](#) [E1SAA18-25.000M TR](#) [CM315D32768EZFT](#) [C1E-24.000-7-2020-R](#) [C1E-19.200-12-1530-X-R](#) [C1E-16.000-12-1530-X-R](#) [FL5000014](#) [EUCA18-3.1872M](#) [FX0800015](#) [425F35E027M0000](#)