

## General Description

KEC Field Stop Trench IGBTs offer low switching losses, high energy efficiency and short circuit ruggedness.

It is designed for applications such as motor control, uninterrupted power supplies(UPS), general inverters.

## FEATURES

- High speed switching
- High ruggedness, temperature stable behavior
- Short Circuit Withstand Times 10us
- Extremely enhanced avalanche capability

## ORDERING INFORMATION

FULL NAME	PACKAGE	SUFFIX
KGF40N65KDC-U/P	TO-247	-
KGF40N65KDC-U/PE	TO-247(E)	Added code "E" to TO-247(E)

## MAXIMUM RATING (Ta=25 )

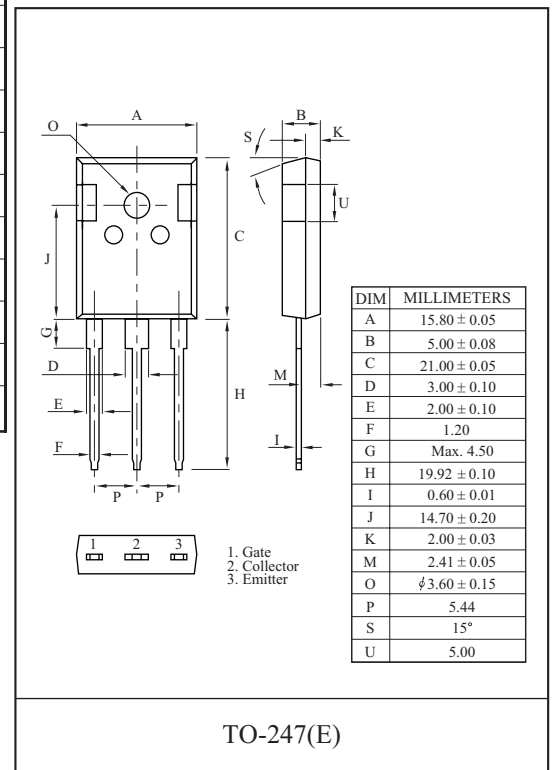
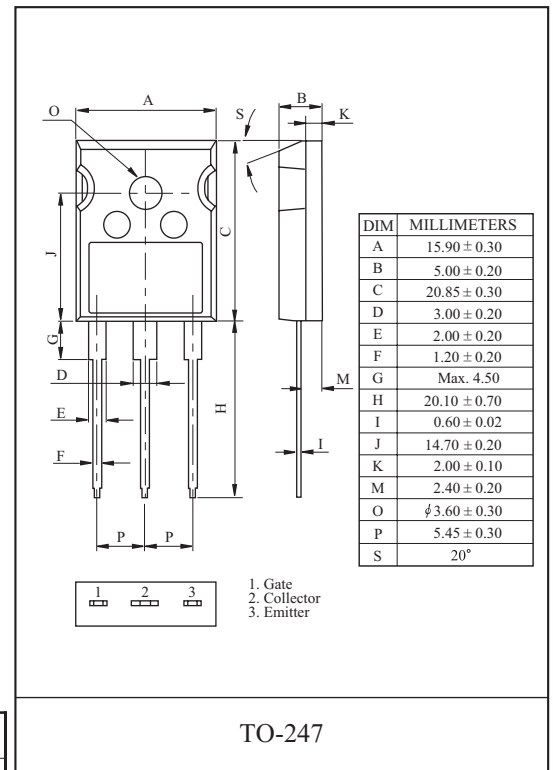
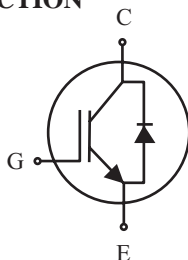
CHARACTERISTIC	SYMBOL	RATING	UNIT
Collector-Emitter Voltage	$V_{CES}$	650	V
Gate-Emitter Voltage	$V_{GES}$	$\pm 20$	V
Collector Current	$I_C$	@Tc=25	80 A
		@Tc=100	40 A
Pulsed Collector Current	$I_{CM}^*$	120	A
Diode Continuous Forward Current	@Tc=100	$I_F$	40 A
Diode Maximum Forward Current		$I_{FM}$	80 A
Maximum Power Dissipation	$P_D$	@Tc=25	208 W
		@Tc=100	104 W
Maximum Junction Temperature	$T_j$	175	
Storage Temperature Range	$T_{stg}$	-55 to +150	

\*Repetitive rating : Pulse width limited by max. junction temperature

## THERMAL CHARACTERISTIC

CHARACTERISTIC	SYMBOL	MAX.	UNIT
Thermal Resistance, Junction to Case (IGBT)	$R_{thJC}$	0.72	/W
Thermal Resistance, Junction to Case (DIODE)	$R_{thJC}$	1.55	/W
Thermal Resistance, Junction to Ambient	$R_{thJA}$	40	/W

## PIN CONNECTION



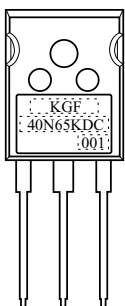
# KGF40N65KDC

## ELECTRICAL CHARACTERISTICS (Ta=25 °C)

CHARACTERISTIC	SYMBOL	TEST CONDITION	MIN.	TYP.	MAX.	UNIT	
<b>Static</b>							
Collector-Emitter Breakdown Voltage	$BV_{CES}$	$V_{GE}=0V, I_C=250\mu A$	650	-	-	V	
Collector Cut-off Current	$I_{CES}$	$V_{GE}=0V, V_{CE}=650V$	-	-	250	$\mu A$	
Gate Leakage Current	$I_{GES}$	$V_{CE}=0V, V_{GE}=\pm 20V$	-	-	$\pm 100$	nA	
Gate Threshold Voltage	$V_{GE(th)}$	$V_{GE}=V_{CE}, I_C=4mA$	5.0	6.2	7.5	V	
Collector-Emitter Saturation Voltage	$V_{CE(sat)}$	$V_{GE}=15V, I_C=40A$	-	1.75	2.3	V	
		$V_{GE}=15V, I_C=80A$	-	2.5	-	V	
		$V_{GE}=15V, I_C=40A, T_C = 175$	-	2.2	-	V	
<b>Dynamic</b>							
Total Gate Charge	$Q_g$	$V_{CC}=300V, V_{GE}=15V, I_C=40A$	-	90	-	nC	
Gate-Emitter Charge	$Q_{ge}$		-	21	-	nC	
Gate-Collector Charge	$Q_{gc}$		-	46	-	nC	
Turn-On Delay Time	$t_{d(on)}$	$V_{CC}=300V, I_C=40A, V_{GE}=15V, R_G=10$ Inductive Load, $T_C = 25$ (Note 1)	-	60	-	ns	
Rise Time	$t_r$		-	30	-	ns	
Turn-Off Delay Time	$t_{d(off)}$		-	110	-	ns	
Fall Time	$t_f$		-	30	-	ns	
Turn-On Switching Loss	$E_{on}$		-	0.95	1.24	mJ	
Turn-Off Switching Loss	$E_{off}$		-	0.55	0.72	mJ	
Total Switching Loss	$E_{ts}$		-	1.5	1.96	mJ	
Turn-On Delay Time	$t_{d(on)}$		$V_{CC}=300V, I_C=40A, V_{GE}=15V, R_G=10$ Inductive Load, $T_C = 175$ (Note 1)	-	60	-	ns
Rise Time	$t_r$			-	40	-	ns
Turn-Off Delay Time	$t_{d(off)}$			-	115	-	ns
Fall Time	$t_f$	-		50	-	ns	
Turn-On Switching Loss	$E_{on}$	-		1.1	-	mJ	
Turn-Off Switching Loss	$E_{off}$	-		0.8	-	mJ	
Total Switching Loss	$E_{ts}$	-		1.9	-	mJ	
Input Capacitance	$C_{ies}$	$V_{CE}=30V, V_{GE}=0V, f=1MHz$	-	2300	3000	pF	
Output Capacitance	$C_{oes}$		-	110	-	pF	
Reverse Transfer Capacitance	$C_{res}$		-	30	-	pF	

Note 1 : Energy loss include tail current and diode reverse recovery.

## Marking



- ① Device Mark 1
- ② Device Mark 2
- ③ Lot No

# KGF40N65KDC

## ELECTRICAL CHARACTERISTIC OF DIODE

CHARACTERISTIC	SYMBOL	TEST CONDITION		MIN.	TYP.	MAX.	UNIT
Diode Forward Voltage	$V_F$	$I_F = 20A$	$T_C = 25$	-	1.91	2.5	V
			$T_C = 175$	-	1.76	-	
Diode Reverse Recovery Time	$t_{rr}$	$I_F = 20A$	$T_C = 25$	-	97	-	ns
			$T_C = 175$	-	171	-	
Diode Peak Reverse Recovery Current	$I_{rr}$	$I_F = 20A$ $di/dt = 200A/\mu s$	$T_C = 25$	-	3.9	-	A
			$T_C = 175$	-	4.6	-	
Diode Reverse Recovery Charge	$Q_{rr}$	$I_F = 20A$ $di/dt = 200A/\mu s$	$T_C = 25$	-	0.22	-	$\mu C$
			$T_C = 175$	-	0.48	-	

Fig 1. Saturation Voltage Characteristics

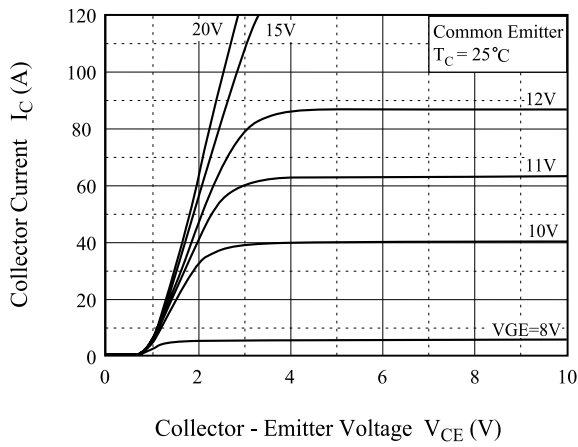


Fig 2. Saturation Voltage Characteristics

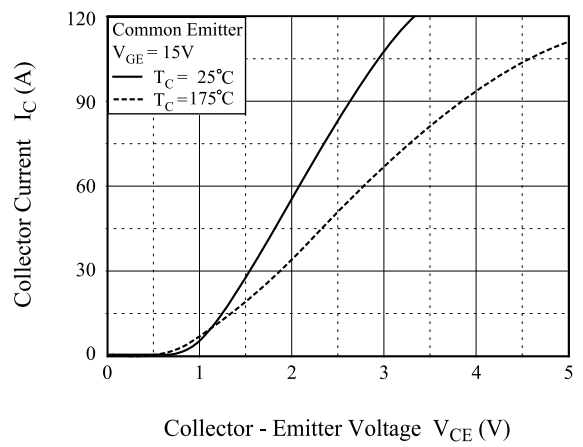


Fig 3. Saturation Voltage vs. Case Temperature

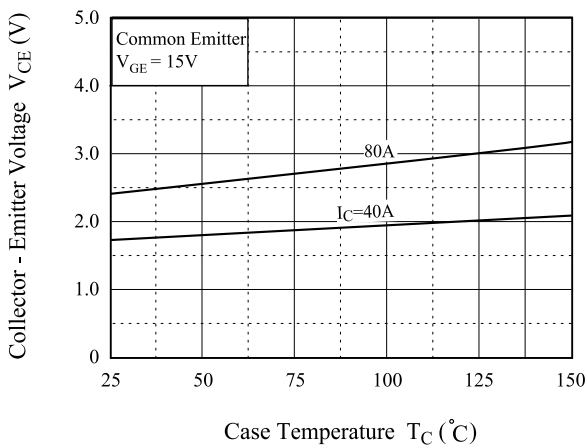


Fig 4. Saturation Voltage vs.  $V_{GE}$

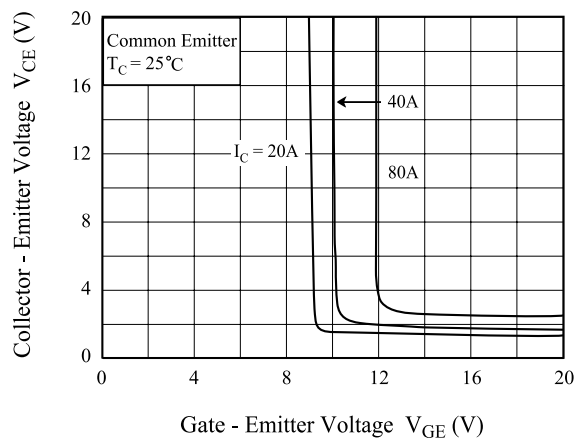


Fig 5. Saturation Voltage vs.  $V_{GE}$

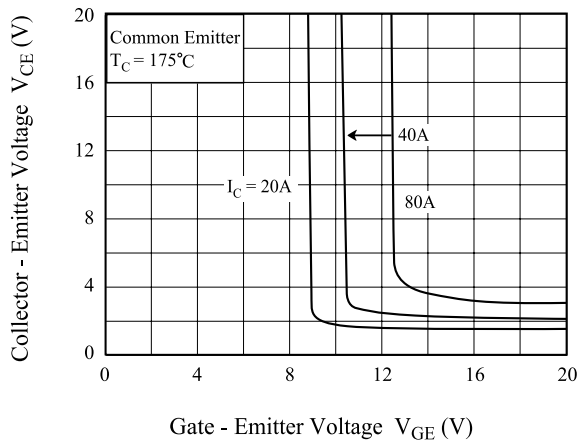


Fig 6. Capacitance Characteristics

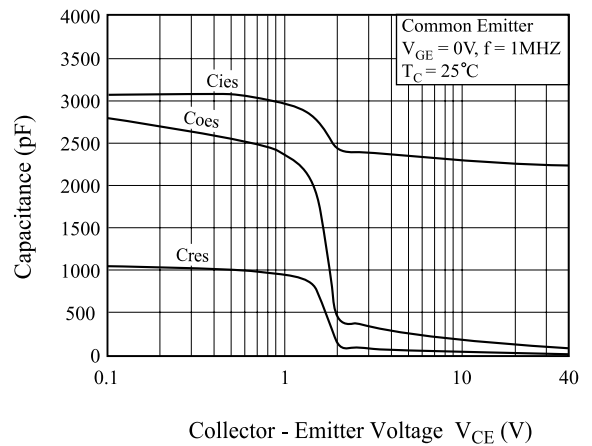


Fig 7. Turn-On Characteristics vs. Gate Resistance

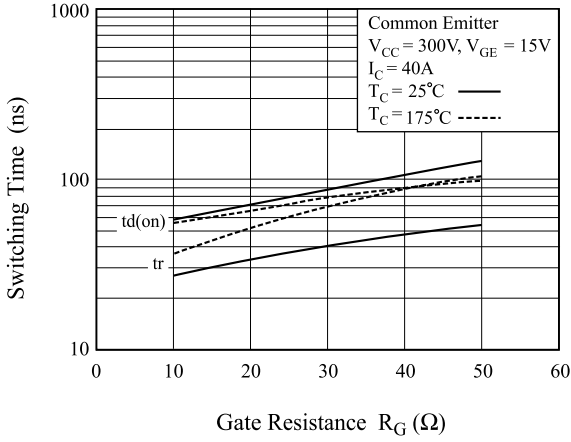


Fig 8. Turn-Off Characteristics vs. Gate Resistance

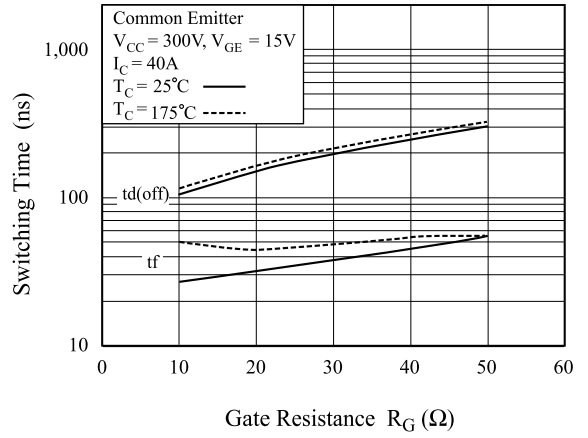


Fig 9. Switching Loss vs. Gate Resistance

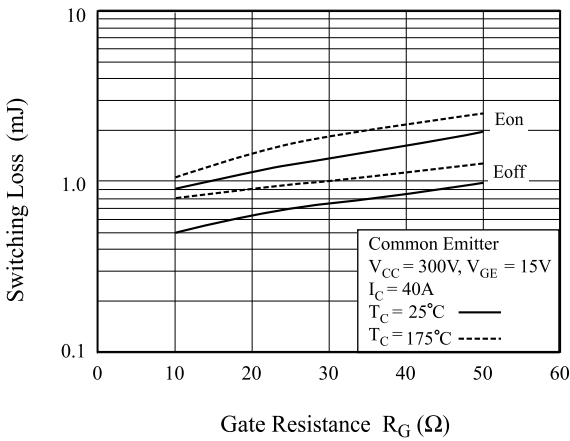


Fig 10. Turn-On Characteristics vs. Collector Current

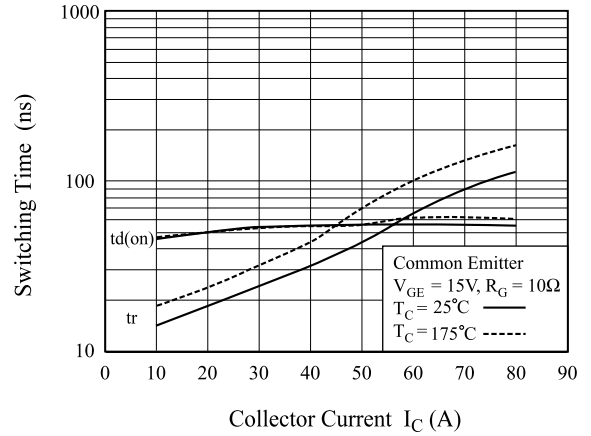


Fig 11. Turn-Off Characteristics vs. Collector Current

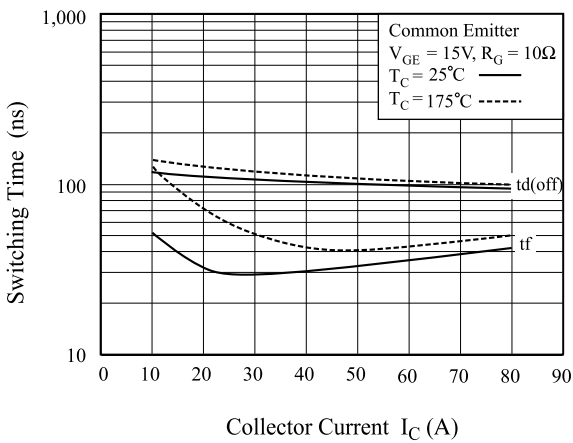
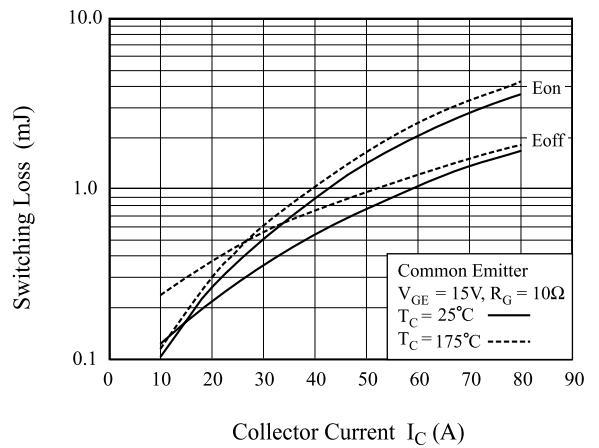


Fig 12. Switching Loss vs. Collector Current



# KGF40N65KDC

Fig 13. Gate Charge Characteristics

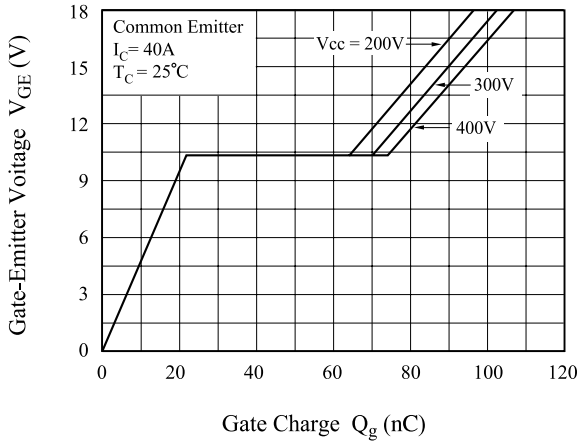


Fig 14. SOA Characteristics

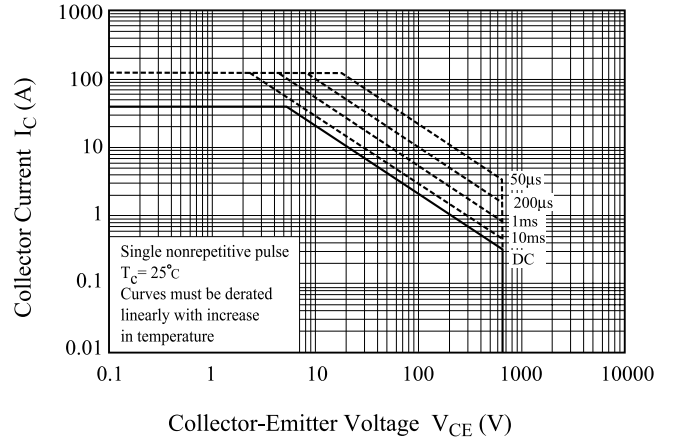


Fig 15. Turn-Off SOA

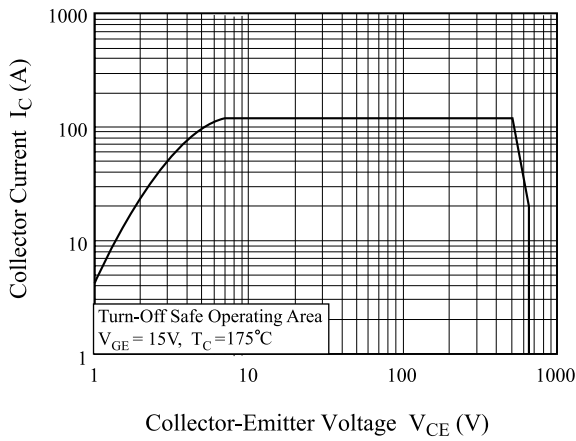


Fig 16. Transient Thermal Impedance of IGBT

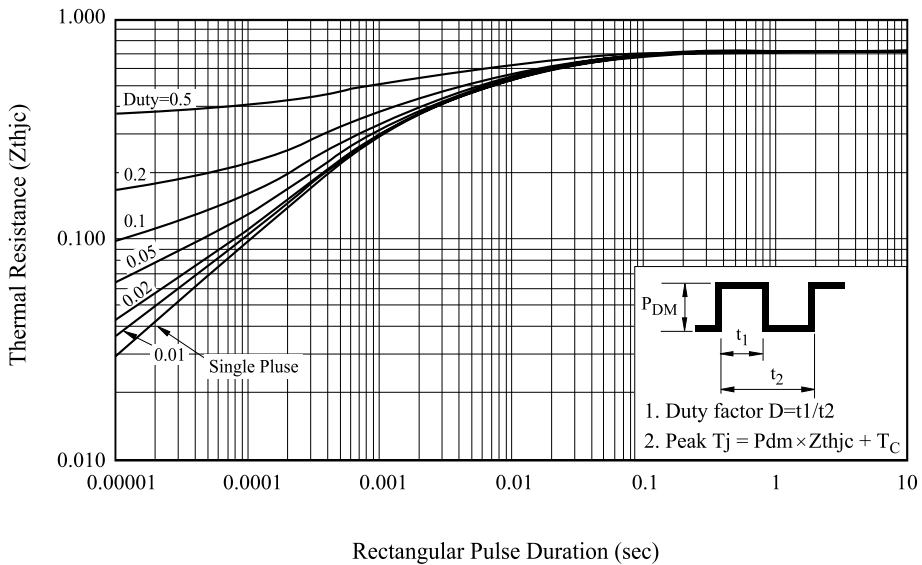


Fig 17. Forward Characteristics

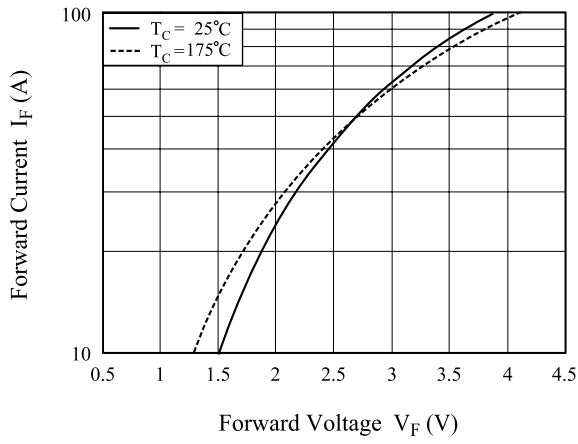


Fig 18. Reverse Recovery Current

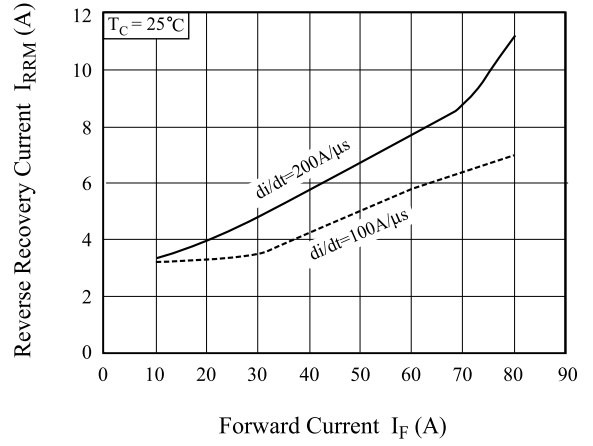


Fig 19. Reverse Recovery Time

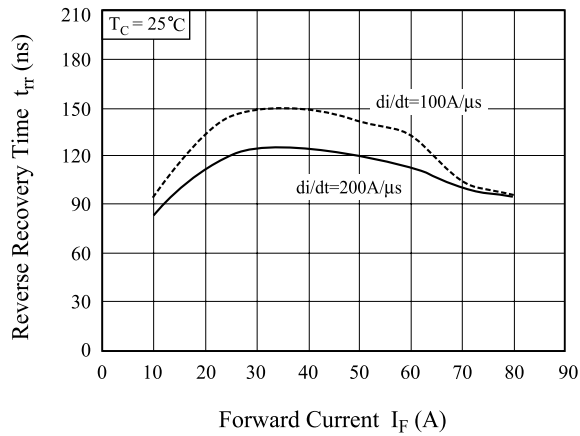


Fig 20. Switching Test Circuit

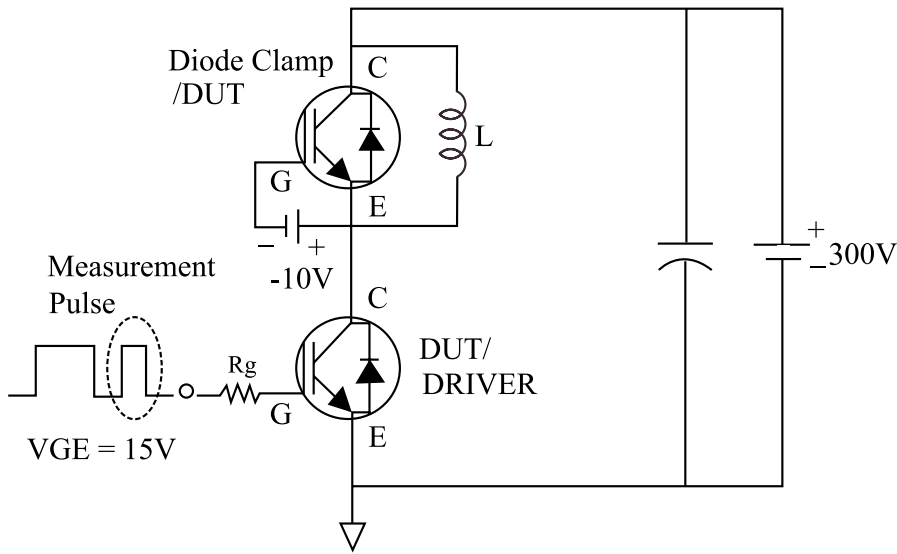


Fig 21. Definition Switching Time & Loss

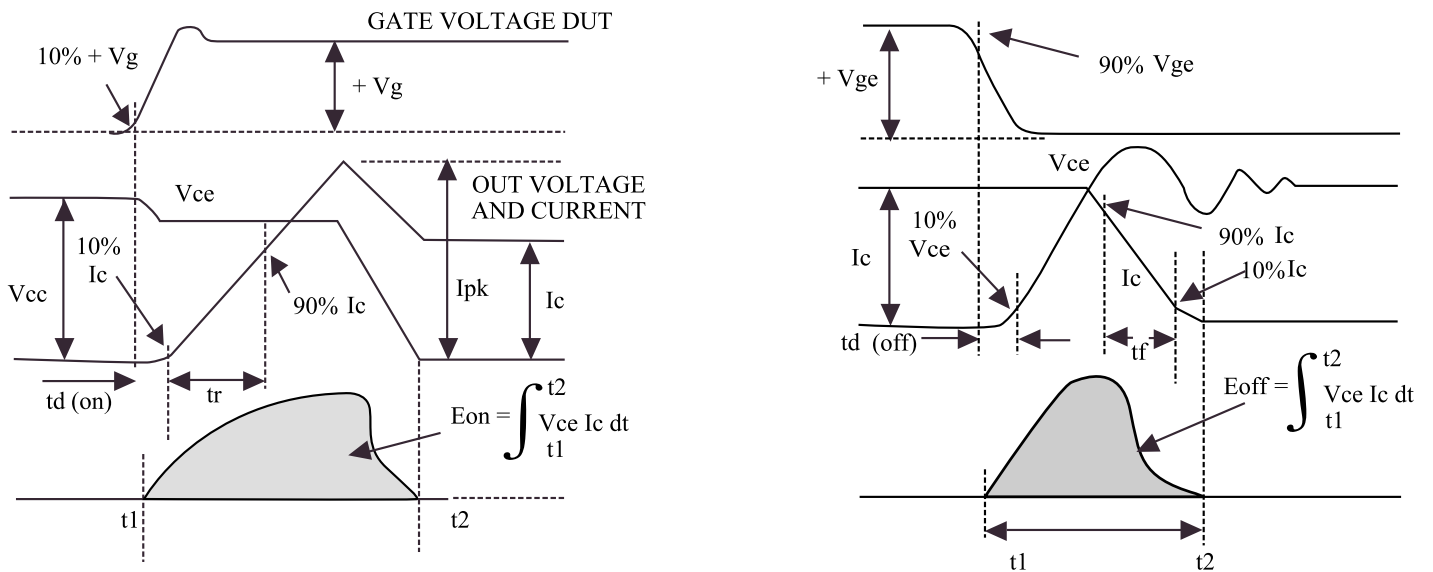
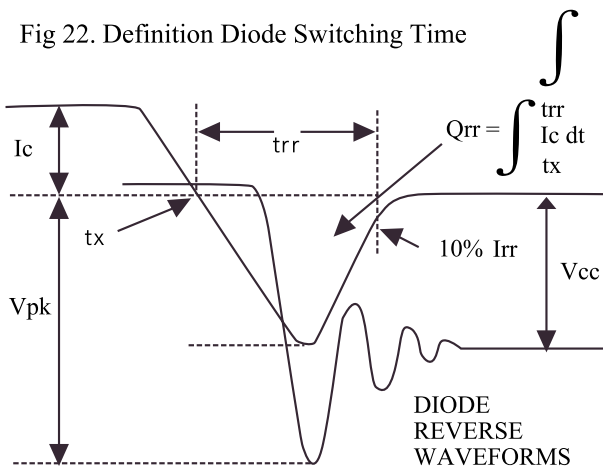


Fig 22. Definition Diode Switching Time





## X-ON Electronics

Largest Supplier of Electrical and Electronic Components

*Click to view similar products for [IGBT Transistors](#) category:*

*Click to view products by [KEC](#) manufacturer:*

Other Similar products are found below :

[IRG4PC30W](#) [APT20GT60BRDQ1G](#) [STGWA25H120DF2](#) [APT30GS60BRDQ2G](#) [TIG058E8-TL-H](#) [IDW40E65D2](#) [STGB40V60F](#)  
[STGWA25H120F2](#) [NGTB75N65FL2WAG](#) [2MBI150VA-060-50](#) [NTE3320](#) [FGD3040G2-F085](#) [FGD3440G2-F085](#) [STGW80H65DFB-4](#)  
[AFGY160T65SPD-B4](#) [IGW30N60TP](#) [IGW40N60TP](#) [IGW50N60TP](#) [IHW30N65R5](#) [IKFW40N60DH3E](#) [IKP15N65H5](#) [IKQ100N60T](#)  
[IKQ120N60T](#) [IKW30N65WR5](#) [IKW75N60H3](#) [IKZ50N65NH5](#) [IKZ75N65NH5](#) [FGD3040G2-F085C](#) [FGH4L50T65SQD](#) [FGHL40T65MQDT](#)  
[FGHL50T65MQD](#) [FGHL50T65MQDTL4](#) [FGHL75T65LQDT](#) [FGHL75T65MQD](#) [FGHL75T65MQDT](#) [FGHL75T65MQDTL4](#)  
[FGY75T120SWD](#) [EL3120S1\(TA\)\(SAS\)-V](#) [IHW15N120E1](#) [IKQ75N120CS6](#) [IKW50N65WR5](#) [SL15T65FK](#) [KGF50N65KDF-U/H](#)  
[IHF40N65R5S](#) [IKW08N120CS7XKSA1](#) [IKQ75N120CH3](#) [IHW30N160R5](#) [SGM100HF12A1TFD](#) [CRG50T60AK3SD](#) [CRG40T60AN3S](#)