

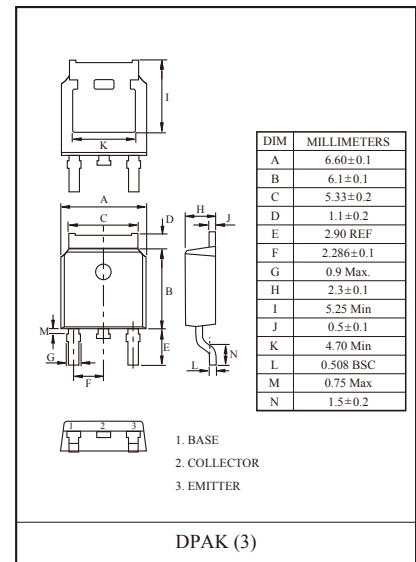
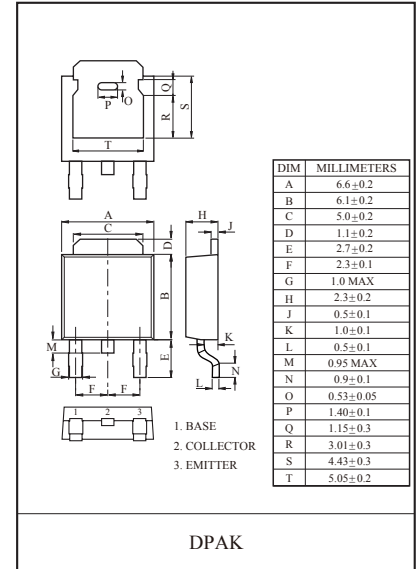
LED DRIVE APPLICATION

FEATURES

- Adoption of MBIT processes.
- Low collector-to-emitter saturation voltage.
- Fast switching speed.
- Suffix U : Qualified to AEC-Q101.
ex) KTC2825D-RTF/HU

MAXIMUM RATING (Ta=25°C)

CHARACTERISTIC	SYMBOL	RATING	UNIT
Collector-Base Voltage	V_{CBO}	60	V
Collector-Emitter Voltage	V_{CEO}	60	V
Emitter-Base Voltage	V_{EBO}	6	V
Collector Current	I_C	3	A
Collector Current(Pulse)	I_{CP}	6	A
Base Current	I_B	600	mA
Collector Power Dissipation	$T_a=25^\circ\text{C}$	P_C	1 W
	$T_C=25^\circ\text{C}$	P_C	15 W
Junction Temperature	T_j	150	°C
Storage Temperature Range	T_{stg}	-55 ~ 150	°C

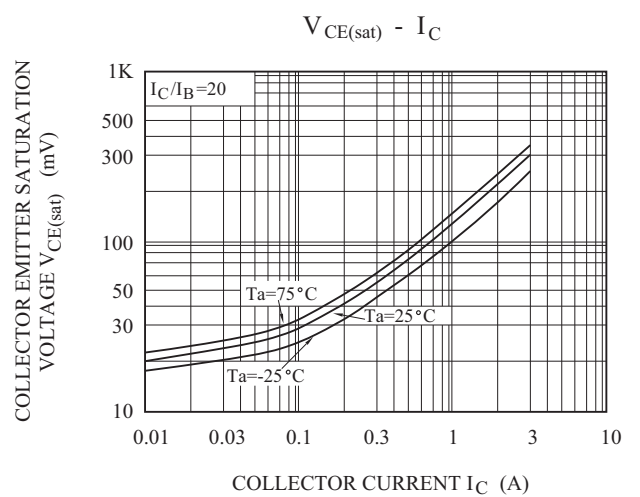
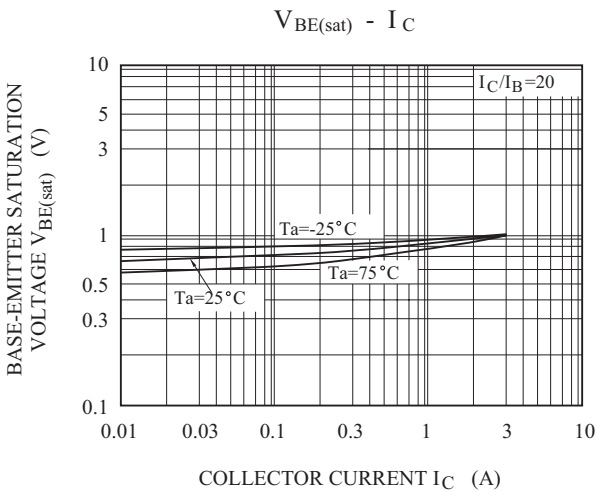
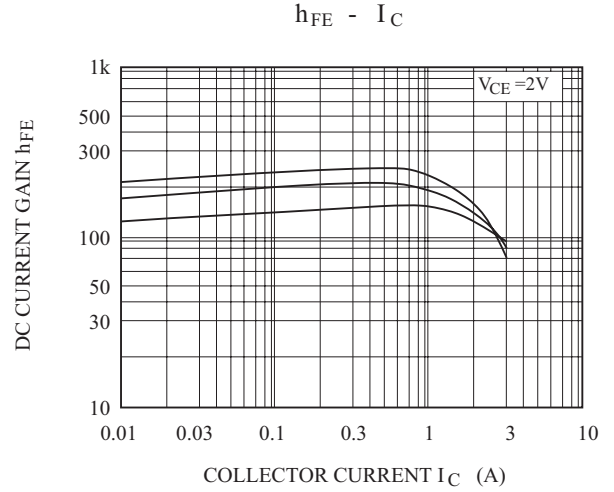
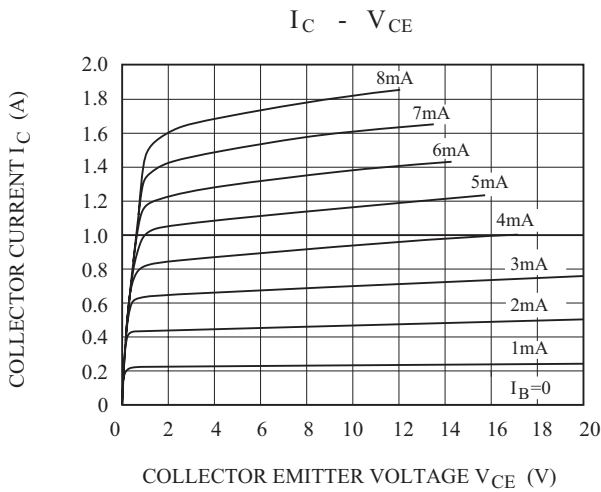
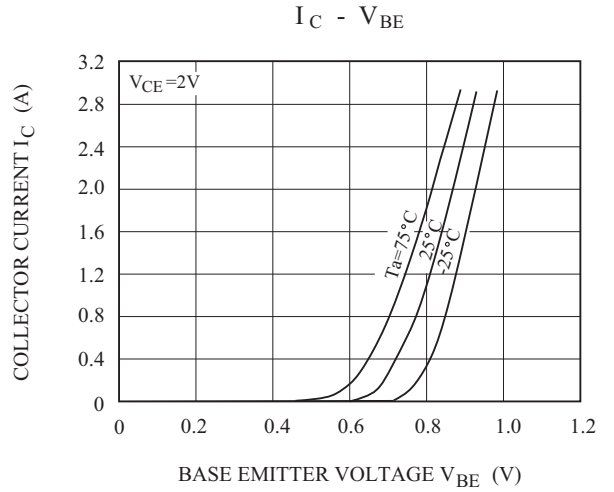
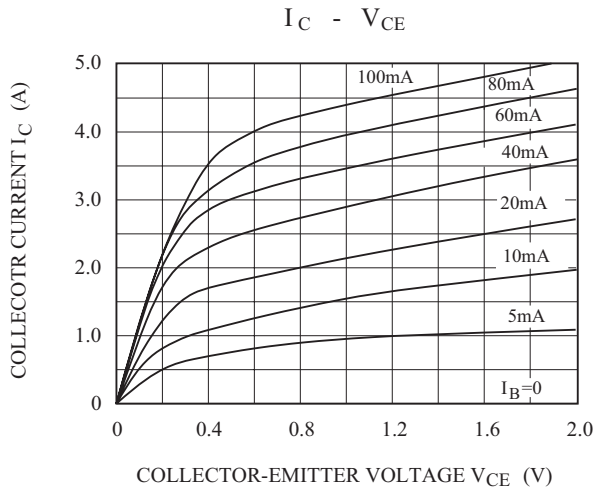


ELECTRICAL CHARACTERISTICS (Ta=25°C)

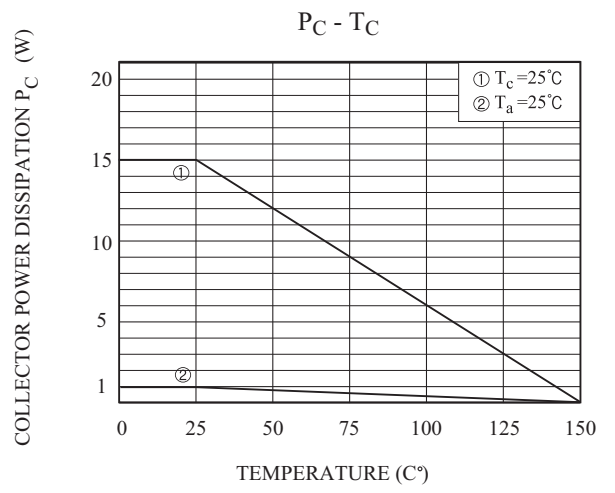
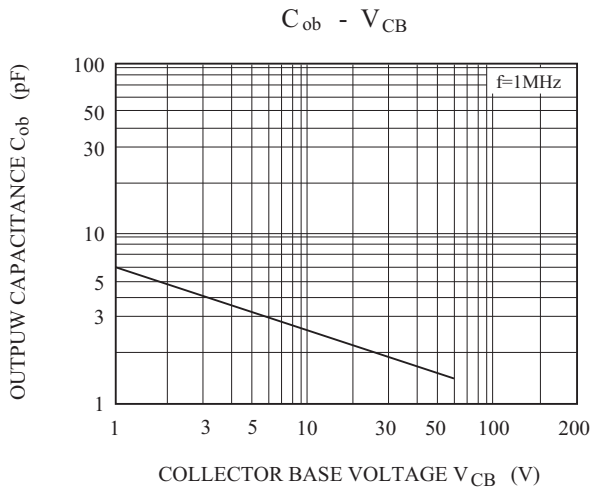
CHARACTERISTIC	SYMBOL	TEST CONDITION	MIN.	TYP.	MAX.	UNIT.
Collector Cut-off Current	I_{CBO}	$V_{CB}=40\text{V}, I_E=0$	-	-	1	μA
Emitter Cut-off Current	I_{EBO}	$V_{EB}=4\text{V}, I_C=0$	-	-	1	μA
DC Current Gain	$h_{FE}(1)$	$V_{CE}=2\text{V}, I_C=100\text{mA}$	200	-	400	
	$h_{FE}(2)$	$V_{CE}=2\text{V}, I_C=3\text{A}$	35	-	-	
Collector-Emitter Saturation Voltage	$V_{CE(sat)}(1)$	$I_C=2\text{A}, I_B=100\text{mA}$	-	0.19	0.5	V
	$V_{CE(sat)}(2)$	$I_C=360\text{mA}, I_B=2\text{mA}$	-	-	0.3	
Base-Emitter Saturation Voltage	$V_{BE(sat)}$	$I_C=2\text{A}, I_B=100\text{mA}$	-	0.94	1.2	V
Collector Output Capacitance	C_{ob}	$V_{CB}=10\text{V}, f=1\text{MHz}, I_E=0$	-	25	-	pF
Switching Time	Turn-on Time	t_{on}	-	35	-	nS
	Storage Time	t_{stg}	-	470	-	
	Fall Time	t_f	-	90	-	

PW=20μs
DC≤1%
10|I_{B1}|=-10|I_{B2}|=I_C=1A

KTC2825D



KTC2825D



X-ON Electronics

Largest Supplier of Electrical and Electronic Components

Click to view similar products for [Bipolar Transistors - BJT category](#):

Click to view products by [KEC manufacturer](#):

Other Similar products are found below :

[BC559C](#) [MCH4017-TL-H](#) [MMBT-2369-TR](#) [BC546/116](#) [NJVMJD148T4G](#) [NTE16](#) [NTE195A](#) [IMX9T110](#) [2N4401-A](#) [2N6728](#) [2SA1419T-TD-H](#) [2SB1204S-TL-E](#) [2SC5488A-TL-H](#) [FMC5AT148](#) [2N2369ADCSM](#) [2N2907A](#) [2N3904-NS](#) [2N5769](#) [2SC4618TLN](#) [CPH6501-TL-E](#) [US6T6TR](#) [BAX18/A52R](#) [BC556/112](#) [IMZ2AT108](#) [MMST8098T146](#) [MCH6102-TL-E](#) [BC846B-13-F](#) [2N3879](#) [30A02MH-TL-E](#) [NTE13](#) [NTE282](#) [NTE323](#) [NTE350](#) [NTE81](#) [JANTX2N2920L](#) [JANSR2N2907AUB](#) [CMLT3946EG TR](#) [SNSS40600CF8T1G](#) [CMLT3906EG TR](#) [GRP-DATA-JANS2N2907AUB](#) [GRP-DATA-JANS2N2222AUA](#) [MMDT3946FL3-7](#) [2N4240](#) [JANS2N3019](#) [MSB30KH-13](#) [2N2221AUB](#) [2SD1815T-TL-E](#) [2N6678](#) [2N2907Ae4](#) [JAN2N3507](#)