



常州市凯丽金电子有限公司---微型贴片电声元器件专业生产商

KELIKING ELECTRONIC-----Micro SMD Buzzer & piezo ceramic manufacturer

# SPECIFICATION FOR APPROVAL

## 承 認 書

Description : SMD Speaker  
 Part No : KLJ-01504T-08R05W  
 Customer's Model No :  
 Specification No : KLJ-01504T-08R05W  
 Number Of The Edition : 3.1

CUSTOMER'S APPROVED SIGNATURE		



凯丽金电子有限公司 KELIKING ELECTRONICS CO., LTD,  
 KELLY KING INTERNATIONAL PTE LTD

公司地址: 常州市天宁区恒生科技园 1-1301, Company ADD: Hengsheng1-1301  
 Science Park,Tianning District,Changzhou City 工厂地址:常州市天宁区三河口东塘路 1-1  
 号,Factory:Dongtang Road NO.1-1 sanhekou Tianning District Changzhou City  
 电话: 86-519-88671999-801, Tel: +86-519-88671999-801 传真: +86-519-  
 88671999-808, Fax: 86-519-88671999-808 网址: [www.kailijin.cn](http://www.kailijin.cn) (CN)  
[www.keliking.com](http://www.keliking.com)(EN) Http:[www.kailijin.cn](http://www.kailijin.cn)(CN) [www.keliking.com](http://www.keliking.com)(EN) 邮箱:  
[jimmy@keliking.com](mailto:jimmy@keliking.com) E-mail:[jimmy@keliking.com](mailto:jimmy@keliking.com) 手机: +86-13656128000 MOB:+86-  
 13656128000

Approved by	Checked by	Lssued by



## A. SCOPE 範疇

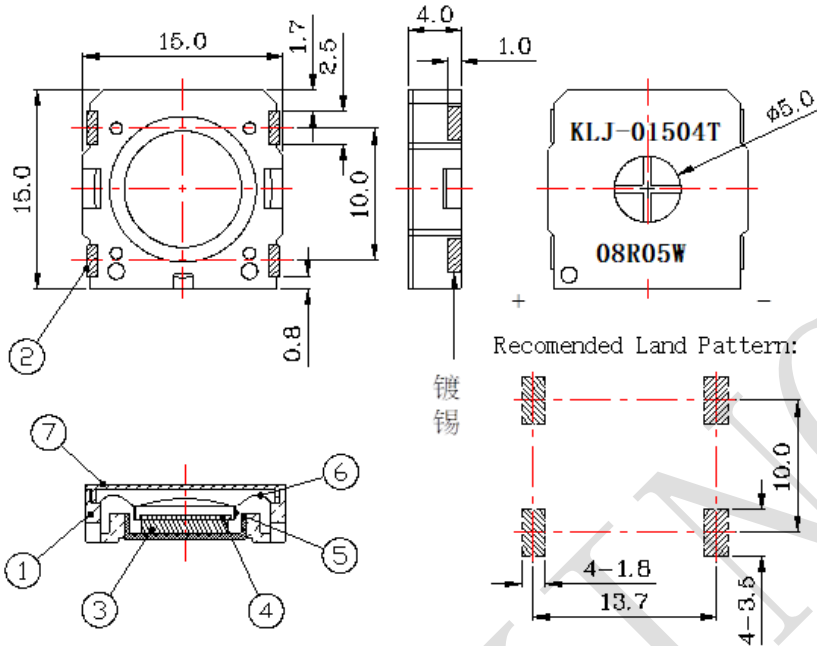
This specification applies SMD Speaker KLJ-01504T-08R05W

## B. SPECIFICATION 规格

Test and measurement will be carried out under normal condition of temperature within 5°C to 35°C, relative humidity within 45% to 85% and air pressure of 860 mbar to 1060 mbar. Should uncertainly arise in data obtained from the above atmosphere, control of temperature at 20°C±2°C and relative humidity within 60%and 70%, with air pressure remaining un-changed, to be enforced.

1	Rated Input Power.	0.5W
2	Max Input Power.	0.8W
3	Rated Impedance.	8Ω ± 15%
4	Sound Pressure Level. (S.P.L)	87dB(0.5W/0.1m) ± 3 dB at AVE 1.0K 1.6K 2.0K 3.2K Hz
5	Resonance Frequency (Fo).	850±20%Hz
6	Frequency Range.	F0~20kHz.
7	Distortion	Less than 5% at 2KHz input Rated Power
8	Magnet	Rare earth permanent (SMCO) magnet 6.7*1.1 mm
9	Polarity	When positive voltage is applied to the terminal marked (+), diaphragm should move to the front.
10	Appearance	Should not exist any obstacle to be harmful to normal operation; damages, cracks, rusts and distortions, etc.
11	Weight.	1.5g
12	Temperature	Operating temperature: -30°C to +85°C Storage temperature: -40°C to +85°C

### C. APPEARANCE DRAWING 外觀尺寸图



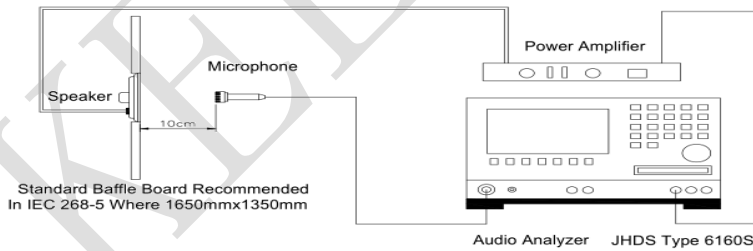
Tolerance general unless otherwise specified:  $\pm 0.5\text{mm}$  unit: mm

### D. TESTING METHOD

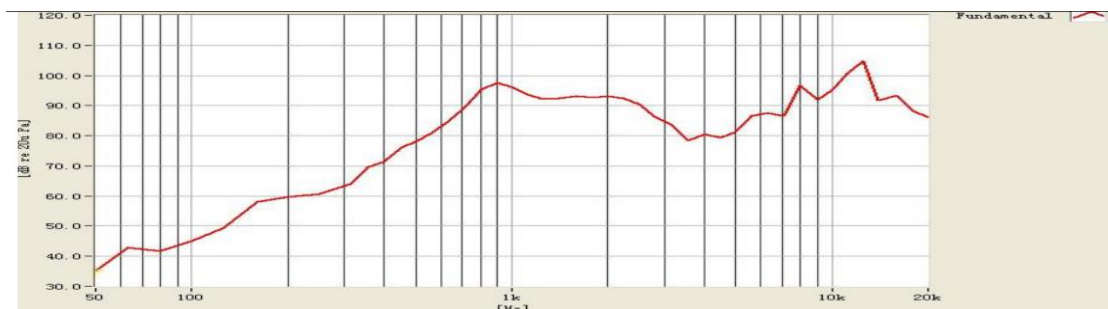
#### Acoustic Characteristics:

The oscillation frequency, current consumption and sound pressure are measured by the measuring instruments shown below

#### Standard test condition of speaker



### E. Typical Frequency Response Curve



## F. RecommendDrivingCircuit

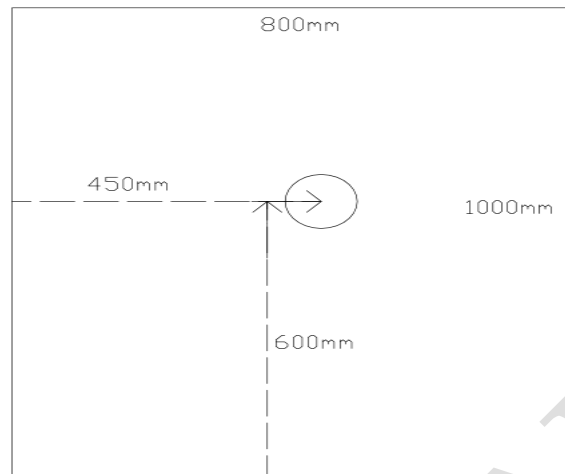
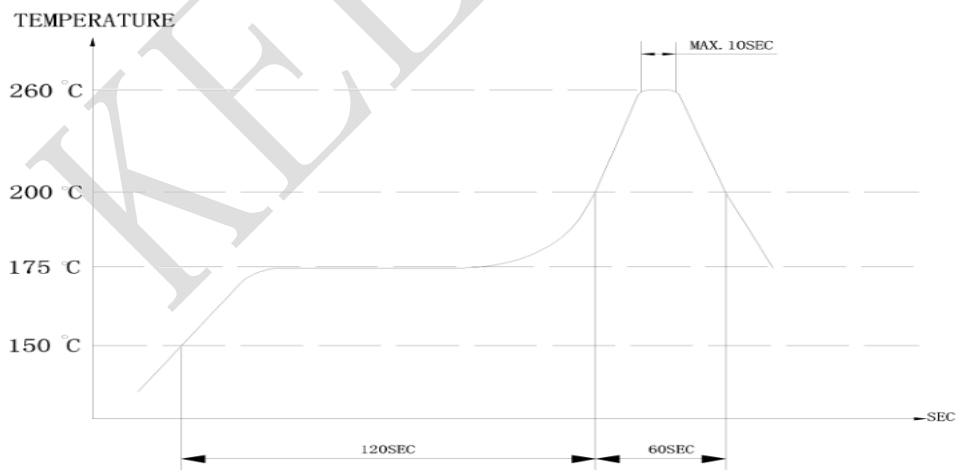


FIG. 1

## G. SolderingCondition

(1)Recommendable reflow soldering condition is as follows (Reflow soldering is twice)

Note:Itisrequestedthatreflowsolderingshouldbeexecuted after heat of product goes down to normal.



Heat resistant line(Used when heat resistant reliability test is performed)

(2)Manual soldering Manual soldering temperature 350°C within 5 sec.



## H.RELIABILITYTEST

NO.	ITEM	TEST CONDITION AND REQUIREMENT
1	High Temperature Test (Storage)	After being placed in a chamber with $80\pm 2^{\circ}\text{C}$ for 96 hours and then being placed in normal condition for 2 hours. Allowable variation of SPL after test: $\pm 10\text{dB}$ .
2	Low Temperature Test (Storage)	After being Placed in a chamber with $-30\pm 2^{\circ}\text{C}$ for 96 hours and then being placed in normal condition for 2 hours. Allowable variation of SPL after test: $\pm 10\text{dB}$ .
3	Humidity Test	After being Placed in a chamber with 90-95% R.H. at $40\pm 2^{\circ}\text{C}$ for 96 hours and then being placed in normal condition for 2 hours. Allowable variation of SPL after test: $\pm 10\text{dB}$ .

4	Temperature Cycle Test	<p>The part shall be subjected to 5 cycles. One cycle shall be consist of:</p> <p>Allowable variation of SPL after test: <math>\pm 10\text{dB}</math>.</p>
5	Drop Test	Drop on a hard wood board of 4cm thick, any directions ,6 times, at the height of 75cm . Allowable variation of SPL after test: $\pm 10\text{dB}$ .
6	Vibration Test	After being applied vibration of amplitude of 1.5mm with 10 to 55 Hz band of vibration frequency to each of 3 perpendicular directions for 2 hours . Allowable variation of SPL after test: $\pm 10\text{dB}$ .
7	Solderability Test	Lead terminals are immersed in rosin for 5 seconds and then immersed in solder bath of $+300\pm 5^{\circ}\text{C}$ for $3\pm 1$ seconds . 90% min. lead terminals shall be wet with solder (Except the edge of terminals).
8	Terminal Strength Pulling Test	The force of 9.8N(1.0kg) is applied to each terminal in axial direction for 10 seconds. No visible damage and cutting off.

## TESTCONDITION.

Standard Test Condition : a)Temperature: $+5\sim +35^{\circ}\text{C}$  b)Humidity:45-85%

c)Pressure:860-1060mbar

一般测试条件 : a) 温度 : $+5\sim +35^{\circ}\text{C}$  b) 湿度 :45-85% c) 气压 :860-1060mbar

Judgment Test Condition : a)Temperature: $+25\pm 2^{\circ}\text{C}$  b)Humidity:60-70%

c)Pressure:860-1060mbar

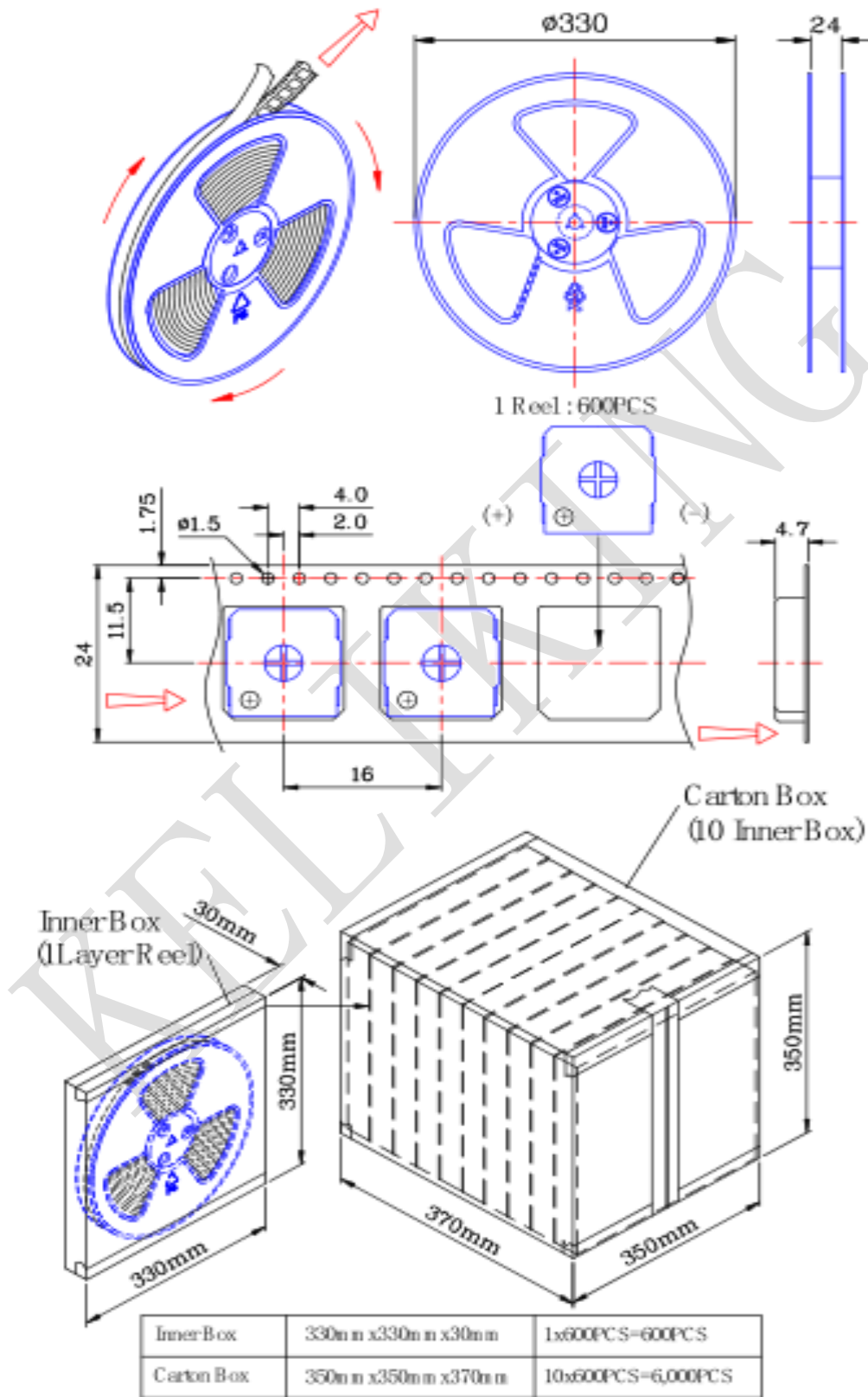
争议时测试条件 : a) 温度 : $+25\pm 2^{\circ}\text{C}$  b) 湿度 :60-70% c) 气压 :860-1060mbar



常州市凯丽金电子有限公司---微型贴片电声元器件专业生产商

KELIKING ELECTRONIC-----Micro SMD Buzzer & piezo ceramic manufacturer

## I.PACKINGSTANDARD



## X-ON Electronics

Largest Supplier of Electrical and Electronic Components

*Click to view similar products for [Speakers & Transducers](#) category:*

*Click to view products by [KELIKING](#) manufacturer:*

Other Similar products are found below :

[FC-30814-P127](#) [AS02832MR-2-R](#) [PB-1220PE](#) [PB-2015PQ](#) [SWFK-31736-000](#) [PT-2065FW](#) [PT-4175W](#) [PB-0927PQ](#) [BF-9778-000](#) [MBS](#)  
[3000-1811-A1AB08-0](#) [SMS2020-08H4.5](#) [LF](#) [BDT1717-08H6.5W56MLF](#) [AS03608MR-LW100-R](#) [SP570445-4](#) [FS7033NB0830-H15.5-R01](#)  
[FS7833NB0830-H19.0-R01](#) [FS77DS0850-H24-R01](#) [GSPK5010TN-4R2W](#) [GSPK5010TN-4R3W](#) [KLJ-1504R8W0.5-L44](#) [FS7423NB0430-](#)  
[H10.0](#) [FS50DS0430-H12.7](#) [PEI](#) [FS3511NB0808-H6.7-R01](#) [FS4020NB0410-H6.0-R01](#) [FS66W04100-H31](#) [FS45DS0880-H24.8-R02](#)  
[FS32NS0820-H5.8-R01](#) [FS2112NB0807-H7.0-R01](#) [FS3520NS0820-H7.9-P1.25-L60](#) [FS50DS0430-H13.3-R24](#) [FS3411P08-H4.0](#)  
[FS26NS0820-H4.9-R01](#) [FS14430NB0880-H30-R01](#) [FS5835DS0850-H19.4-R01](#) [FS2011NB0807-H3.9-R01](#) [FS28DS0820-H9.4-R01](#)  
[FS66W0830-H27](#) [FS66W0850-H22](#) [FS40DS0830-H11.2-P2.0-L100](#) [FS28DS0830-H15.3](#) [FS102W0480-H35](#) [FS3525NS0820-H5.5-R01](#)  
[FS5035NB0820-H26.8-R01](#) [FS27DS0830-H10.8-R01](#) [FS3915NB0808-H11.5-R01](#) [FS3020NB0808-H4.0-R01](#) [FS3616NB0808-H10-R01](#)  
[FS3514NB0808-H6.0-R01](#) [FS40DS0450-H18.3](#) [FS77W0450-H23.5](#)