



常州市凯丽金电子有限公司---微型贴片电声元器件专业生产商



KELIKING ELECTRONIC-----Micro SMD Buzzer Professional manufacturer

SPECIFICATION FOR APPROVAL

承 認 書

Description : Speaker

Part No : KLJ-111517KT-01CS

Customer's Model No :

Specification No : KLJ-111517KT-01CS

Number Of The Edidion : 2.1

CUSTOMER'S APPROVED SIGNATURE		



常州市凯丽金电子有限公司

CHANGZHOU KELIKING ELECTRONICS CO., LTD

公司地址: 常州市天宁区恒生科技园 1-1301, Company ADD: Hengsheng1-1301 Science Park,Tianning District,Changzhou City 工厂地址:常州市天宁区三河口东塘路 1-1 号,Factory:Dongtang Road NO.1-1Three estuarine Tianning District Changzhou City 电话: 86-519-88671999-801, Tel: 86-519-88671999-801 传真: 86-519-88671999-808, Fax: 86-519-88671999-808 网址: www.kailijin.cn(CN)

www.keliking.com(EN) Http:www.kailijin.cn(CN) www.keliking.com(EN)

邮箱: jimmy@keliking.com E-mail:jimmy@keliking.com 手机: 13656128000 MOB:13656128000

Approved by	Checked by	Lssued by



1.SCOPE

This specification covers our product of dynamic speaker unit for cordless/mobile telephone and ear phone use.

2. GENERAL REQUIREMENTS

2.1 OPERATING TEMPERATURE RANGE: -20°C ~ +70°C

2.2 STORAGE TEMPERATURE RANGE: -40°C ~ +85°C

3.WEIGHT: Approx 1.6 gram

4 TEST CLIMATIC CONDITIONS

STANDARD TEST CONDITIONS:

Temperature: 17~25°C
Relative Humidity: 45%~80%(RH)
Air Pressure: 860~1060 hPa

JUDGEMENT CONDITIONS:

Temperature: 20±2°C
Relative Humidity: 60%~70%(RH)
Air Pressure: 860~1060 hPa

5. ELECTRICAL REQUIREMENTS

5.1 Rated Impedance (in 1.0cc box) 8±15% ohms @2kHz, 1Vrms input See Figure 2

5.2 Rated Noise Power (in 1.0cc box) 0.7 Watts

5.3 Short Term Maximum Power (in 1.0cc box) 1.0 Watt

6. ACOUSTICAL REQUIREMENTS

measuring diagram See Figure 1

6.1 Sound Pressure Level in 1cc box 89.5±3dB at 2Vrms/10cm at 2KHz

6.2 Bass Resonance Frequency

4.2.1 Resonance frequency in free air 450±15% Hz

4.2.2 Resonance frequency in 1.0cc box 850±15% Hz

6.3 Rated Frequency Range 400 - 20kHz

Frequency Response See Figure 3

(Mounted in 1.0cc measure box and in a baffle) Test at 2Vrms/10cm

6.4 THD See Figure 4

(Mounted in 1.0cc measure box and in a baffle) Test at 2Vrms/10cm

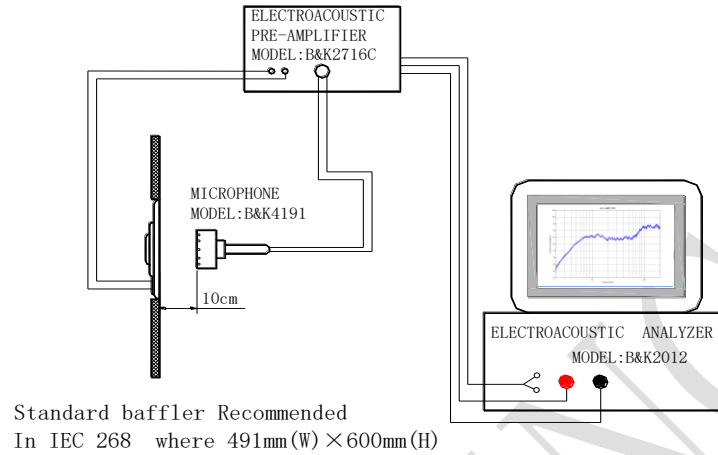
6.5 Rub & Buzz

A sine sweep among 100-1500Hz at 2.37Vrms with 1.0cc back cavity will not result in any buzzing or extraneous sound.

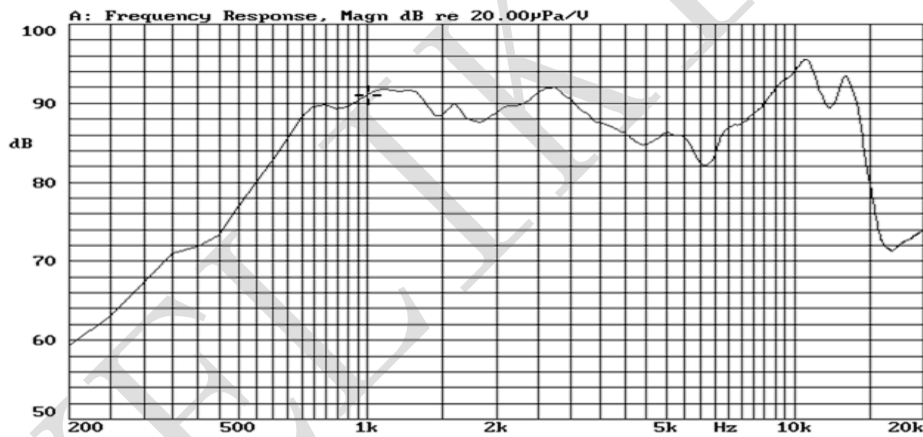
7.POLARITY REQUIREMENTS

When a DC sources "+" polarity is attached to speaker's "+" polarity, "-" polarity is attached speaker's "-" polarity, the membrane will move forward.

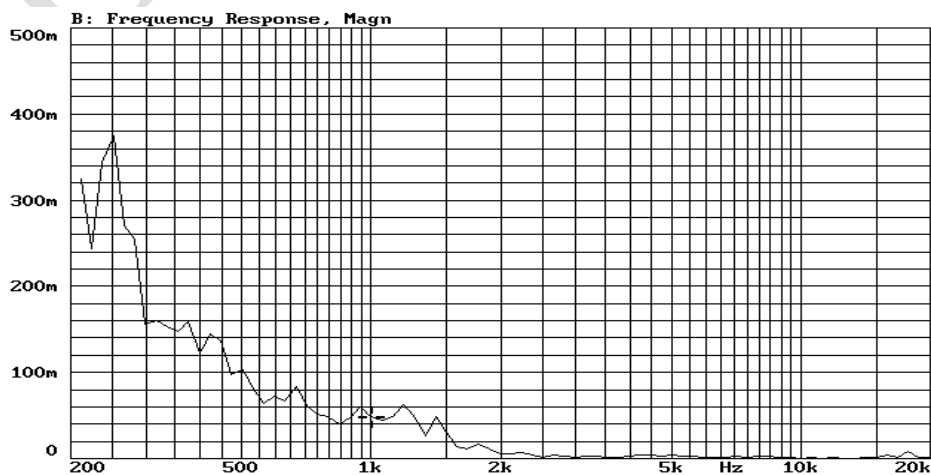
■ FREQUENCY MEASURING CIRCUIT (Fig.1)



■ TYPICAL FREQUENCY RESPONSE CURVE (Fig.2)



■ TOTAL HARMONIC DISTORTION





8. RELIABILITY TESTS

THE SOUND PRESSURE AS SPECIFIED SHALL NEITHER DEVIATE MORE THAN $\pm 3\text{dB}$ FROM THE INITIAL VALUE, NOR ANY SIGNIFICANT DAMAGE AFTER ANY OF FOLLOWING TESTING.

8.1 HIGH TEMPERATURE TEST

HIGH TEMPERATURE: $+85\pm 2^{\circ}\text{C}$
DURATION: 96 HOURS

8.2 LOW TEMPERATURE TEST

LOW TEMPERATURE : $-40\pm 2^{\circ}\text{C}$
DURATION: 96 HOURS

8.3 HEAT SHOCK TEST (SEE IN FIG.5)

HIGH TEMPERATURE: $+85\pm 2^{\circ}\text{C}$
LOW TEMPERATURE: $-40\pm 2^{\circ}\text{C}$
CHANGEOVER TIME: < 30 SECONDS
DURATION: 30MINUTES
CYCLE: 100

8.4 HUMIDITY TEST

TEMPERATURE: $+40\pm 2^{\circ}\text{C}$
RELATIVE HUMIDITY: 90~95%
DURATION: 96 HOURS

8.5 TEMPERATURE CYCLE TEST (SEE IN FIG.6)

TEMPERATURE: -40°C $+85^{\circ}\text{C}$
DURATION: 45 MINUTES 45 MINUTES
TEMPERATURE GRADIENT: $1\sim 3^{\circ}\text{C}/\text{MIN.}$
CYCLE: 25

8.6 VIBRATION TEST

VIBRATION: 10~55Hz/MIN
AMPLITUDE: 1.5MM
DURATION: 2 HOURS EACH AXES(3 AXES)

8.7 DROP TEST

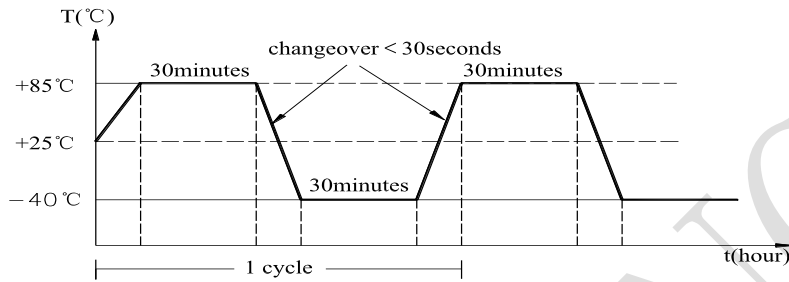
MOUNTED WITH DUMMY SET MASS: 100 G
HEIGHT: 1.5 M
CYCLE: 6 (1 EACH PLAIN)

ONTO THE CONCRETE BOARD

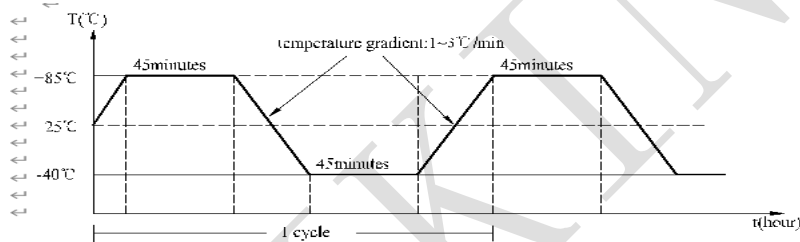
8.8 LOAD TEST

SIMULATED PROGRAM SIGNAL (IEC 268-1) WITH CREST FACTOR OF 2;HIGH PASS12DB/OCT OR STEEPER, CUT OFF AT 850HZ FOR 96 HOURS @0.7W(IN 1.0CC CLOSED BOX) INPUT POWER.

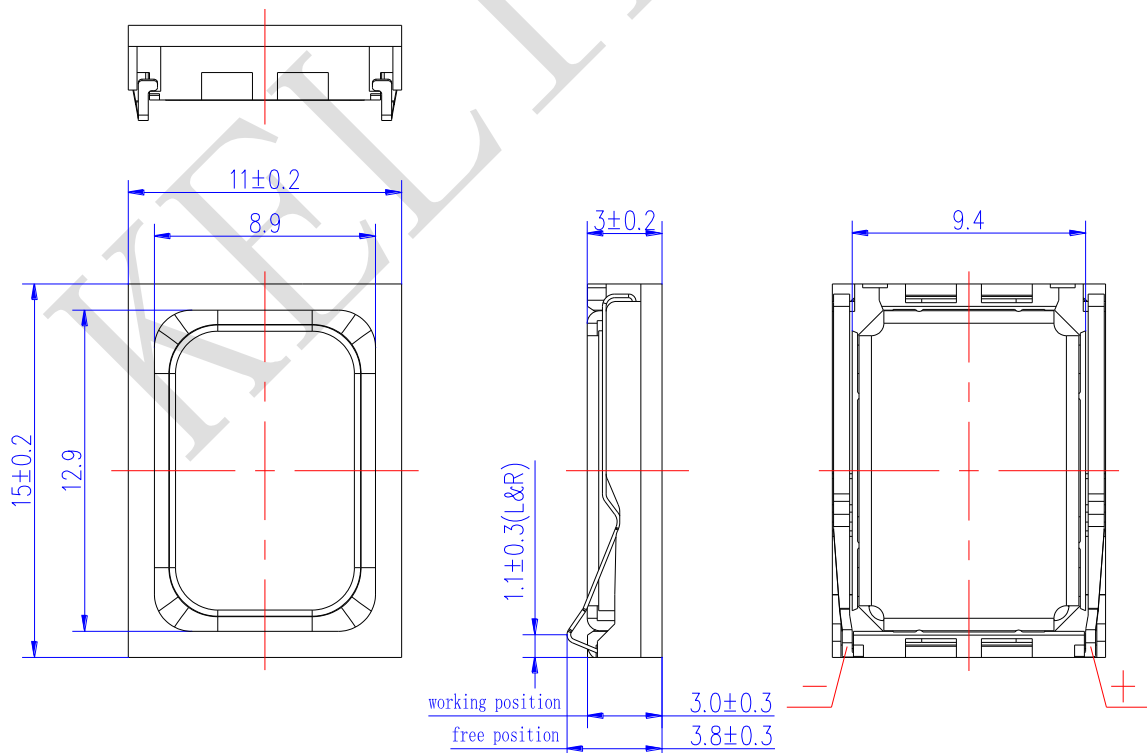
■ HEAT SHOCK TEST



■ TEMP. CYCLE TEST



9.MECHANICAL LAYOUT & DIMENSIONS



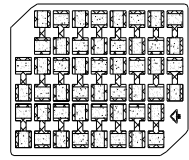
Unless otherwise specified, tolerance: ± 0.2 (unit: mm)



常州市凯丽金电子有限公司---微型贴片电声元器件专业生产商

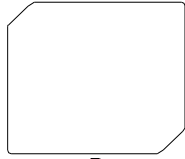
KELIKING ELECTRONIC-----Micro SMD Buzzer Professional manufacturer

10.PACKING STANDARD 包装规格



PVC BOX

PVC BOX SIZE: 325X263mm;
ONE BOX: 50PCS;



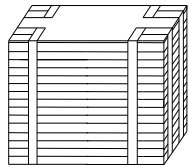
FRONT COVER BOARD

COVER BOARD SIZE: 325X263mm;



ONE BUNDLE

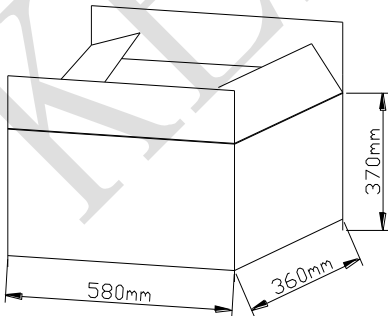
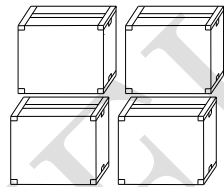
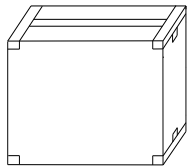
ONE BUNDLE SIZE: 325X263X145mm;
TEN BOX/BUNDLE: 50 × 10=500PCS



SMALL BOX

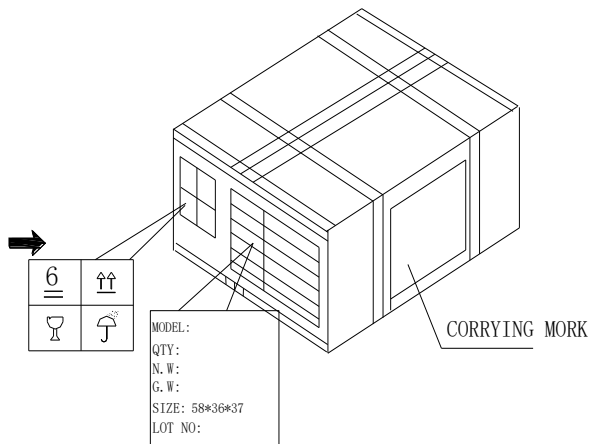
SMALL BOX SIZE: 335X275X160mm

ONE BUNDLE/SMALL BOX: 500 × 1=500PCS
500PCS USE ONE SMALL BOX
TEN BOX/BUNDLE: 50 × 10=500PCS



BIG BOX SIZE: 580X360X370 mm;

FOUR SMALL BOX/BIG BOX: 4X500PCS=2000PCS
2000PCS USE ONE BIG BOX
4PCS SMALL BOX USE ONE BIG BOX



CORRYING MORK

X-ON Electronics

Largest Supplier of Electrical and Electronic Components

Click to view similar products for [Speakers & Transducers](#) category:

Click to view products by [KELIKING](#) manufacturer:

Other Similar products are found below :

[FC-30814-P127](#) [AS02832MR-2-R](#) [PB-1220PE](#) [PB-2015PQ](#) [SWFK-31736-000](#) [PT-2065FW](#) [PT-4175W](#) [PB-0927PQ](#) [BF-9778-000](#) [MBS](#)
[3000-1811-A1AB08-0](#) [SMS2020-08H4.5](#) [LF](#) [BDT1717-08H6.5W56MLF](#) [AS03608MR-LW100-R](#) [SP570445-4](#) [FS7033NB0830-H15.5-R01](#)
[FS7833NB0830-H19.0-R01](#) [FS77DS0850-H24-R01](#) [GSPK5010TN-4R2W](#) [GSPK5010TN-4R3W](#) [KLJ-1504R8W0.5-L44](#) [FS7423NB0430-](#)
[H10.0](#) [FS50DS0430-H12.7](#) [PEI](#) [FS3511NB0808-H6.7-R01](#) [FS4020NB0410-H6.0-R01](#) [FS66W04100-H31](#) [FS45DS0880-H24.8-R02](#)
[FS32NS0820-H5.8-R01](#) [FS2112NB0807-H7.0-R01](#) [FS3520NS0820-H7.9-P1.25-L60](#) [FS50DS0430-H13.3-R24](#) [FS3411P08-H4.0](#)
[FS26NS0820-H4.9-R01](#) [FS14430NB0880-H30-R01](#) [FS5835DS0850-H19.4-R01](#) [FS2011NB0807-H3.9-R01](#) [FS28DS0820-H9.4-R01](#)
[FS66W0830-H27](#) [FS66W0850-H22](#) [FS40DS0830-H11.2-P2.0-L100](#) [FS28DS0830-H15.3](#) [FS102W0480-H35](#) [FS3525NS0820-H5.5-R01](#)
[FS5035NB0820-H26.8-R01](#) [FS27DS0830-H10.8-R01](#) [FS3915NB0808-H11.5-R01](#) [FS3020NB0808-H4.0-R01](#) [FS3616NB0808-H10-R01](#)
[FS3514NB0808-H6.0-R01](#) [FS40DS0450-H18.3](#) [FS77W0450-H23.5](#)