

SPECIFICATION FOR APPROVAL

产品规格书

DESCRIPTION : SMD BUZZER
PART NO. : KLJ-1230
USER' S PART NO. :
DATE : 2010.02.23
CUSTOMER APPROVED :

Approved By	Checked By	Made By

常州市凯丽金电子有限公司

CHANGZHOU KAILIJIN ELECTRONICS CO., LTD

地址：常州市新北区天安工业村.

电话：0519-88671999

手机：13656128000

E-Mail:866@kailijin.cn

[Http://www.kailijin.cn](http://www.kailijin.cn)

MSN:www.kailijin.msn.cn

KLJ-1230

DATE:2010.02.23

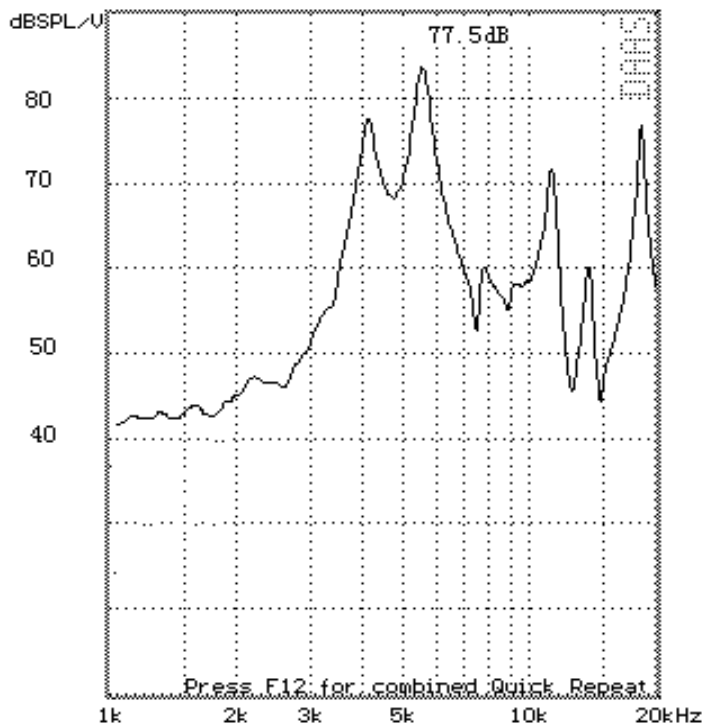
1 . Electrical Characteristics

VER :0

Operating Voltage	Max20Vp-p
Current Consumption	Max 1mA at 3Vp-p/Square Wave/4.0KHz
Sound Pressure Level	Min 80dB at 10cm/ 3Vp-p/Square Wave/4.1KHz
Electrostatic Capacity	16000±30%pF at 1 KHz/1V
Operating Temperature (°C)	-20~ +70
Storage Temperature (°C)	-30 ~ +80
Dimension	L12×W12×H3.0mm

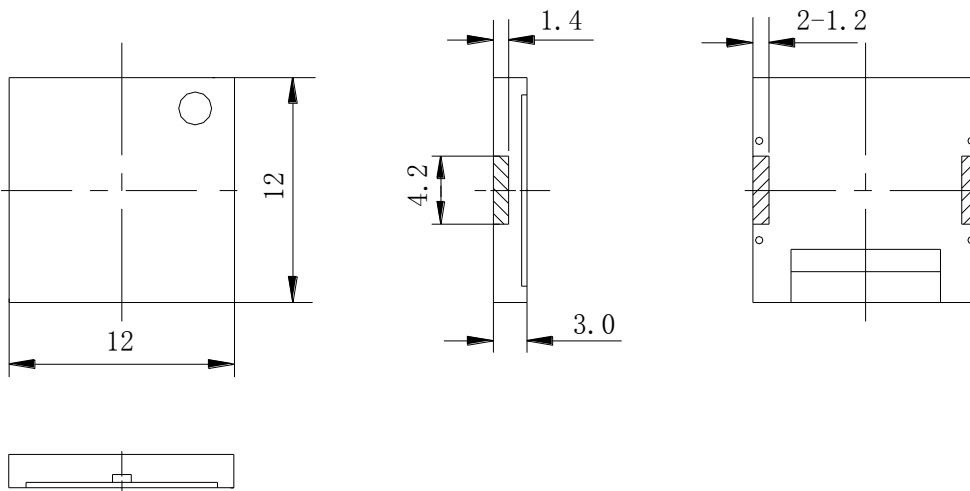
2 . Typical Frequency Response Curve

ESC End	D A A S Frequency Response	i
Distance Loudsp.- Mic.: 10.0 cm		M0:



3 . Dimensions and Material

3-1 Shape



Unit: mm Tol: ± 0.3

3-2 Material

Housing	LCP plastic resin (Color : White)
Terminal	SMD Type
Weight (Gram)	0.35

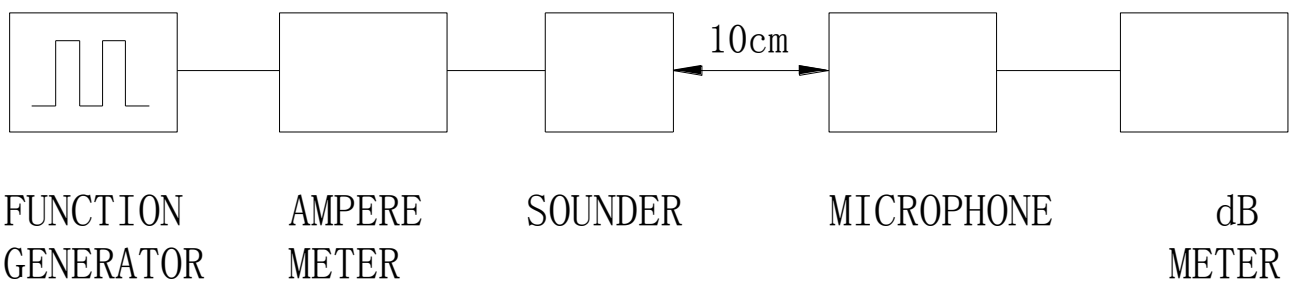
4. TESTING METHOD

• **Standard Measurement conditions**

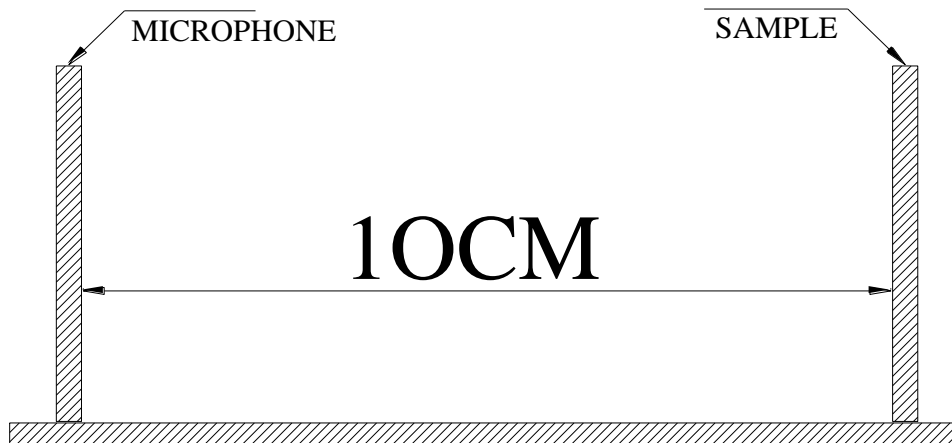
Temperature: $25 \pm 2 \text{ }^\circ\text{C}$ Humidity: 45-60%

• **Acoustic Characteristics**

The oscillation frequency, current consumption and sound pressure are measured by the measuring instruments shown below.



In the measuring test, buzzer is placed as follows:



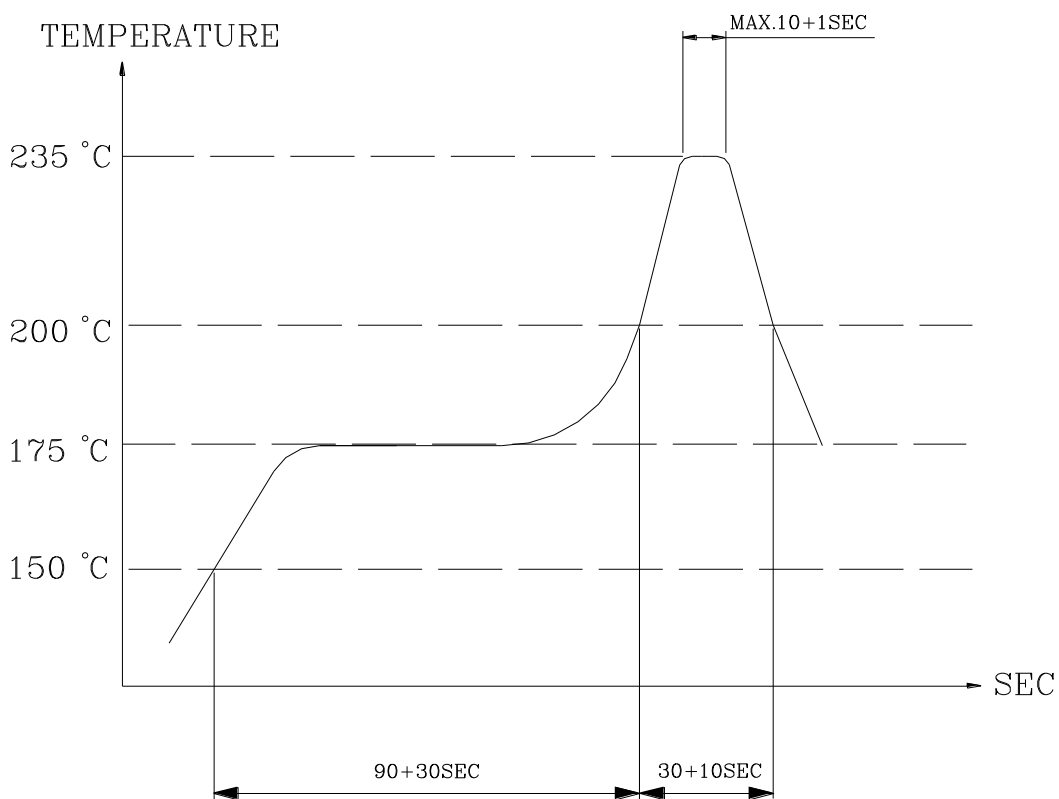
5. RELIABILITY

ITEMS	METHOD OF TEST AND MEASUREMENTS	PERFORMANCE
<i>Coldness withstanding</i>	<i>After 98 hours of being exposed to -30 °C environment, should be returned to normal environment for 2 hours, then re-proceed to test.</i>	<i>No abnormality shall exist</i>
<i>Hotness withstanding</i>	<i>After 98 hours of being exposed to +100 °C environment, should be returned to normal environment for 2 hours, then re-proceed to test.</i>	<i>No abnormality shall exist</i>
<i>Humidity withstanding</i>	<i>After 98 hours of being exposed to 40 °C 95%RH environment in actual operation, should be returned to normal environment for 2 hours, then re-proceed to test.</i>	<i>No abnormality shall exist</i>
<i>Durability</i>	<i>Testing after 1,000 hours actual continuous operation.(at standard measurement conditions)</i>	<i>No abnormality shall exist</i>
<i>Drop withstanding</i>	<i>A natural drop from 75cm high down to the ground.</i>	<i>No abnormality shall exist</i>
<i>Vibration withstanding</i>	<i>Vibration of 2,000 cycles per minute, 2mm amplitude, applied in X, Y and Z directions for 30 minutes each.</i>	<i>No abnormality shall exist</i>

6.Soldering Condition

(1)Recommendable reflow soldering condition is as follows
(Reflow soldering is twice)

Note:It is requested that reflow soldering should be executed after heat of product goes down to normal.



Heat resistant line

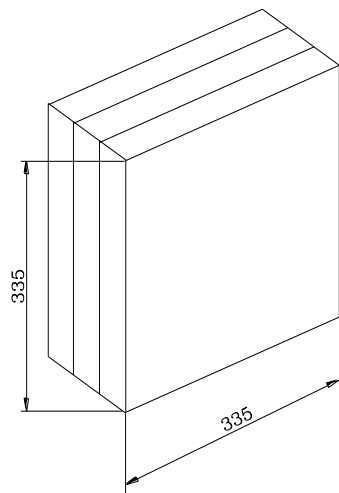
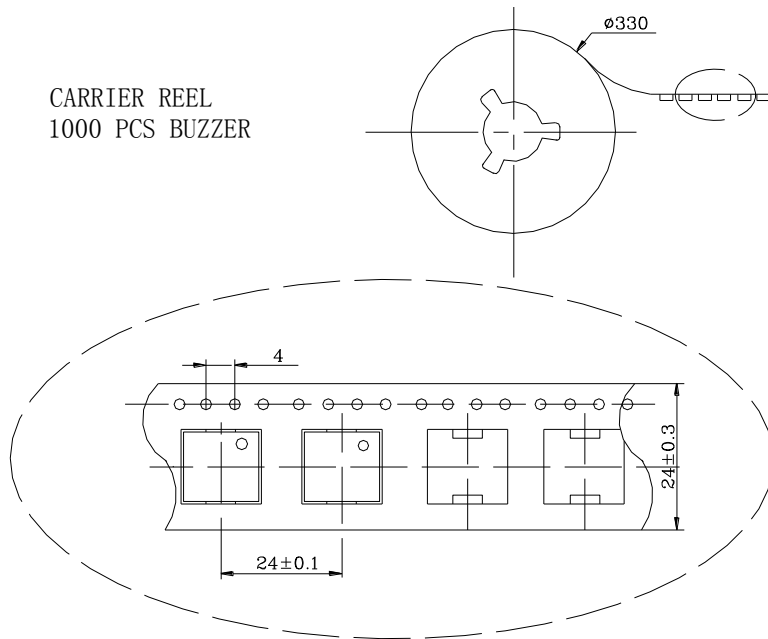
(Used when heat resistant reliability test is performed)

(2)Manual soldering

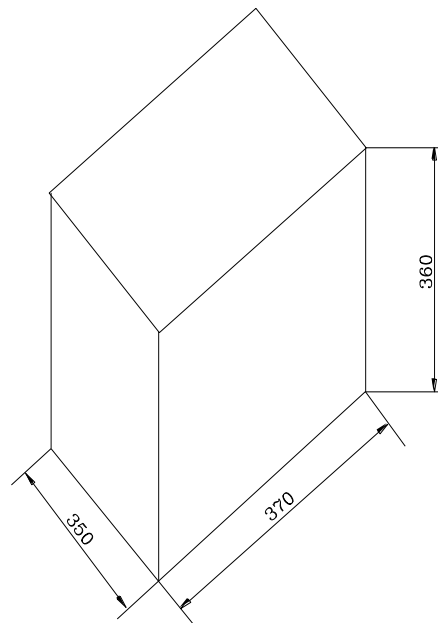
Manual soldering temperature 350 C within 10 sec.

8. PACKAGE METHOD

CARRIER REEL
1000 PCS BUZZER



INNER BOX
1 ROLL CARRIER REEL



CARTON BOX
10 INNER BOX
10K PCS BUZZER

Unit:mm

X-ON Electronics

Largest Supplier of Electrical and Electronic Components

Click to view similar products for [Piezo Buzzers & Audio Indicators](#) category:

Click to view products by [KELIKING](#) manufacturer:

Other Similar products are found below :

[6-4](#) [68S1240-PA](#) [ESZ-26B](#) [FDG06PSLLF](#) [F/DGX12P WITH LABEL LF](#) [F/EM12PLF](#) [PF-35N29WQ](#) [PFD-21A29W](#) [PFD-27A35PQ](#) [PL-21N30WQ](#) [PL-27A35PSQ](#) [PLD-21N30W](#) [PLD-21N30WQ](#) [PS-531Q](#) [PT-3534FP](#) [B822B](#) [B/CP28/100DB/BLACK LF](#) [S6109](#) [SC110E](#) [SC2036ACP](#) [SC616N-2](#) [SC628FW](#) [SC628MPG](#) [SC648D](#) [SCS045MD9DT3S](#) [ESZ-25B-5-250B](#) [ESZ-25S](#) [F/BC 35-DR LF](#) [FCM12PLF](#) [SSX-52SA](#) [F/EB20P-DR LF](#) [AI-4228-TF-LW305-R](#) [F/SU 21-02 LF](#) [F/TCW 05 WITH LABEL LF](#) [PFD-27N36W](#) [PKM35-4A0](#) [PL-35N29WQ](#) [PLD-27A35PQ](#) [PS-552Q](#) [CM-5](#) [REF-202](#) [B/SE 128 RED LF](#) [KBS-20DA-7AS](#) [KBS-27DA-5C-105](#) [LSC628ANR](#) [03-810.001](#) [RTO-1R07-001](#) [PL-21N31PQ](#) [F-B-P1405ISB LF](#) [F/DGX 05P WITH LABEL LF](#)