



常州市凯丽金电子有限公司---微型贴片电声元器件专业生产商

KELIKING ELECTRONIC-----Micro SMD Buzzer & Piezo transducer manufacturer

SPECIFICATION FOR APPROVAL

承 認 書

Description : Speaker

Part No : KLJ- 1504R8W0.5-L44

Customer's Model No :

Specification No : KLJ- 1504R8W0.5-L44

Number Of The Edition : 2.1

CUSTOMER'S APPROVED SIGNATURE		



常州市凯丽金电子有限公司

CHANGZHOU KELIKING ELECTRONICS CO., LTD

公司地址: 常州市天宁区恒生科技园 1-1301, Company ADD: Hengsheng1-1301 Science Park,Tianning District,Changzhou City 工厂地址:常州市天宁区三河口东塘路 1-1 号,Factory:Dongtang Road NO.1-1Three estuarine Tianning District Changzhou City 电话: 86-519-88671999-801, Tel: 86-519-88671999-801 传真: 86-519-88671999-808, Fax: 86-519-88671999-808 网址: www.kailijin.cn(CN) www.keliking.com(EN) Http:www.kailijin.cn(CN) www.keliking.com(EN) 邮箱: jimmy@keliking.com E-mail:jimmy@keliking.com 手机: 13656128000 MOB:13656128000

Approved by	Checked by	Lssued by



常州市凯丽金电子有限公司---微型贴片电声元器件专业生产商

KELIKING ELECTRONIC-----Micro SMD Buzzer & Piezo transducer manufacturer

A. SCOPE 範疇

This specification applies Loud Speaker KLJ- 1504R8W0.5-L44

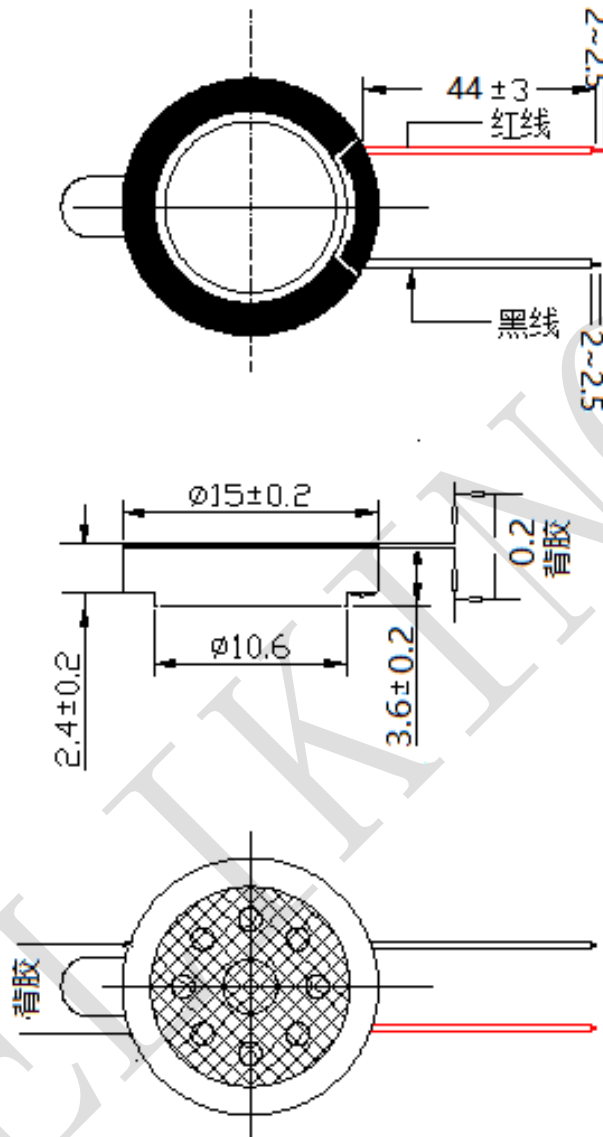
B. SPECIFICATION 规格

Parameter	Conditions/Description	Values	Units
Rated Input Power		0.5	W
Max Input Power		0.8	W
Rated Impedance	at 2.0 kHz	8±15%	Ω
Sound Pressure Level (S.P.L.)	at 0.8K 1.0K 1.2K 1.5KHz in 0.1W/0.1M average (0dB SPL=20μPa)	86±3	dB
Resonant Frequency (Fo)	at 1.0 V	850±20%	Hz
Frequency Range	Output S.P.L. -10dB	Fo~10K	Hz
Distortion	at 2K Hz, input 0.1W,	< 5%	-
Magnet	NdFeB	Φ7.8*1.0	mm
Buzz, Rattle, etc.	must be normal at sine wave between Fo ~ 20K Hz	2.0	V
Polarity	cone will move forward with positive dc current to "+" terminal		
Weight			g
Operating Temperature		-20~+60	°C
Storage Temperature		-30~+70	°C
Waterproof		N/A	

Notes: All specifications measured at 5~35°C, humidity at 45~85%, under 86~106 kPa pressure, unless otherwise noted.

地址: 常州市天宁区恒生科技园 1-1301 电话: 0519-88671999 网址: www.kailijin.cn(CN) www.keliking.com (EN)
Office : No.1-1301, Hengsheng Technology Park, Beitanghe Road, Tianning District, Changzhou City, China

C. APPEARANCE DRAWING 外觀尺寸图



Units: mm Tolerance: ± 0.3 mm

PART NO.	PART NAME	Q'TY	MATERIAL	REMARK
1	Gasket	1	Sus304	
2	Diaphragm	1	PEI	
3	VOICE COIL	1	Cu	
4	Plate	1	SPCC	
5	Magnet	1	NdFeB	
6	PCB Terminal	1	FR4	
7	Frame	1	PBT	



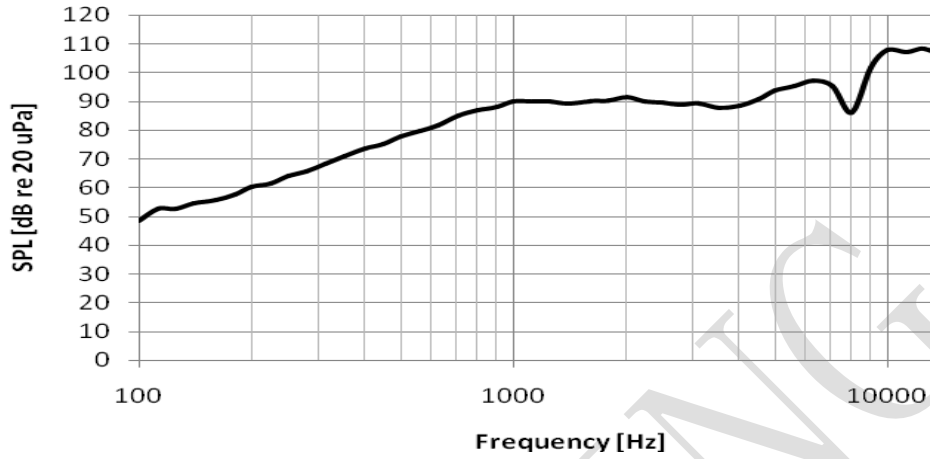
常州市凯丽金电子有限公司---微型贴片电声元器件专业生产商

KELIKING ELECTRONIC-----Micro SMD Buzzer & Piezo transducer manufacturer

YPLCAL FREQUENCY RESPONSE CURVE 頻率響應曲線

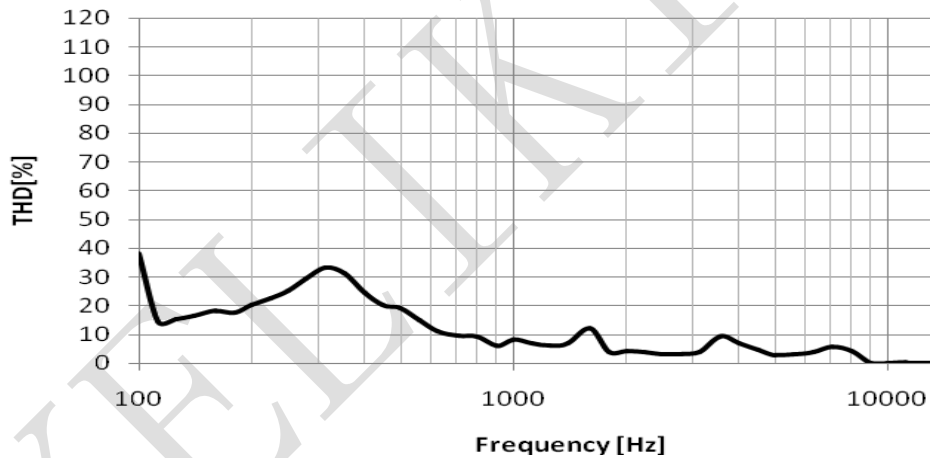
D. Frequency Response Curve

E. Test condition: 0.1W/0.1M,



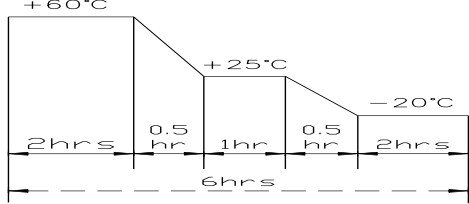
Total Harmonic Distortion Curve

Test condition:0.1W/0.1M,



E. RELIABILITY TEST

1	Reliability Test Performance	After any following test, parts should conform to original performance within ± 3 dB tested with Rated Power, after 6 hours of recovery period.
2	High Temperature	96 hours at $+70^{\circ}\text{C}\pm 3^{\circ}\text{C}$
3	Low Temperature	96 hours at $-30^{\circ}\text{C}\pm 3^{\circ}\text{C}$
4	Humidity Test	96 hours at $+30^{\circ}\text{C}\pm 3^{\circ}\text{C}$, 92-95% RH

5	Temp./Humidity Cycle	<p>The part shall be subjected 5 cycles. One cycle shall be 6 hours and consist of</p> 
6	Vibration Test	<p>Frequency: 10~55~10Hz Oct/min Amplitude: 1.5mm Duration: 2 hours each of 3 perpendicular directions</p>
7	Drop Test	<p>Drop the speaker contained in normal box onto the surface of 40mm thick board 10 times from the height of 75cm</p>
8	Operation Life Test	<p>Must perform normal with program White-Noise source at Rated Power for 96 Hours</p>
9	Termination Strength	<p>Apply 3.0N(0.306kg) to each terminal in horizontal direction for 30 seconds; Apply 2.0N(0.204kg) to each terminal in vertical direction for 30 seconds;</p>

F. MEASURING METHOD

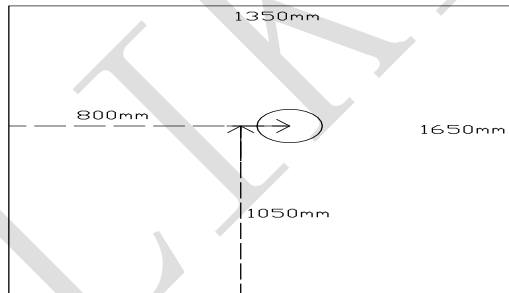


Fig. 1 Block Diagram for Measurement Method

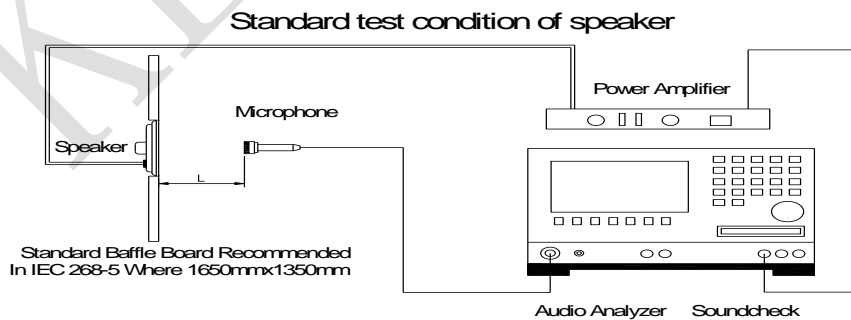


Fig. 2 Speaker Test Condi



常州市凯丽金电子有限公司---微型贴片电声元器件专业生产商

KELIKING ELECTRONIC-----Micro SMD Buzzer & Piezo transducer manufacturer

F. PACKAGING

G. units: cm

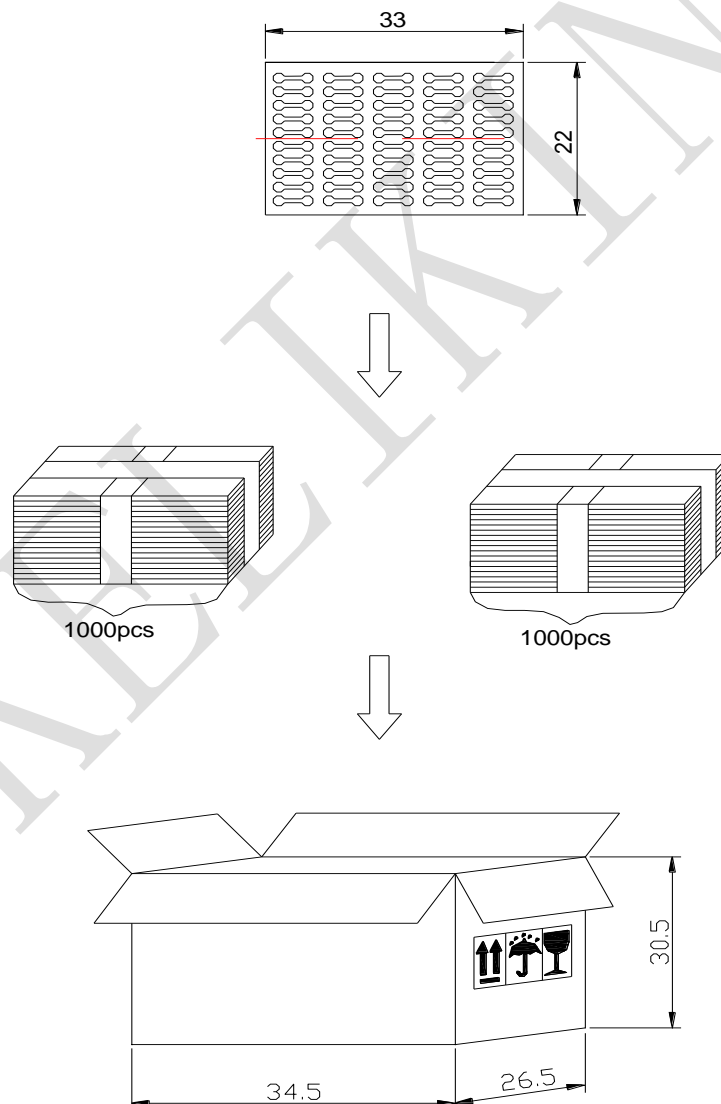
H. Remark:

I. 100pcs per tray

J. 10 trays for unit, 2 units per carton

K. Total:2000 pcs per box

L. Size:34.5*26.5*30.5cm



X-ON Electronics

Largest Supplier of Electrical and Electronic Components

Click to view similar products for [Speakers & Transducers](#) category:

Click to view products by [KELIKING](#) manufacturer:

Other Similar products are found below :

[FC-30814-P127](#) [AS02832MR-2-R](#) [PB-1220PE](#) [PB-2015PQ](#) [SWFK-31736-000](#) [PT-2065FW](#) [PT-4175W](#) [PB-0927PQ](#) [BF-9778-000](#) [MBS](#)
[3000-1811-A1AB08-0](#) [SMS2020-08H4.5](#) [LF](#) [BDT1717-08H6.5W56MLF](#) [AS03608MR-LW100-R](#) [SP570445-4](#) [FS7033NB0830-H15.5-R01](#)
[FS7833NB0830-H19.0-R01](#) [FS77DS0850-H24-R01](#) [GSPK5010TN-4R2W](#) [GSPK5010TN-4R3W](#) [KLJ-1504R8W0.5-L44](#) [FS7423NB0430-](#)
[H10.0](#) [FS50DS0430-H12.7](#) [PEI](#) [FS3511NB0808-H6.7-R01](#) [FS4020NB0410-H6.0-R01](#) [FS66W04100-H31](#) [FS45DS0880-H24.8-R02](#)
[FS32NS0820-H5.8-R01](#) [FS2112NB0807-H7.0-R01](#) [FS3520NS0820-H7.9-P1.25-L60](#) [FS50DS0430-H13.3-R24](#) [FS3411P08-H4.0](#)
[FS26NS0820-H4.9-R01](#) [FS14430NB0880-H30-R01](#) [FS5835DS0850-H19.4-R01](#) [FS2011NB0807-H3.9-R01](#) [FS28DS0820-H9.4-R01](#)
[FS66W0830-H27](#) [FS66W0850-H22](#) [FS40DS0830-H11.2-P2.0-L100](#) [FS28DS0830-H15.3](#) [FS102W0480-H35](#) [FS3525NS0820-H5.5-R01](#)
[FS5035NB0820-H26.8-R01](#) [FS27DS0830-H10.8-R01](#) [FS3915NB0808-H11.5-R01](#) [FS3020NB0808-H4.0-R01](#) [FS3616NB0808-H10-R01](#)
[FS3514NB0808-H6.0-R01](#) [FS40DS0450-H18.3](#) [FS77W0450-H23.5](#)