



常州市凯丽金电子有限公司---微型贴片电声元器件专业生产商
 KELIKING ELECTRONIC-----Micro Acoustical device & piezo ceramic manufacturer

SPECIFICATION FOR APPROVAL

承 認 書

Description : Earphone Speaker
 Part No : KLJ-5010R32W20mW
 Customer's Model No :
 Specification No : KLJ-5010R32W20mW
 Number Of The Edidion : 3.1

CUSTOMER'S APPROVED SIGNATURE		



常州市凯丽金电子有限公司

KELIKING ELECTRONICS CO., LTD,

公司地址: 常州市天宁区恒生科技园 1-1301, Company ADD: Hengsheng1-1301
 Science Park,Tianning District,Changzhou City 工厂地址:常州市天宁区三河口东塘路 1-1
 号,Factory:Dongtang Road NO.1-1 sanhekou Tianning District Changzhou City
 电话: 86-519-88671999-801, Tel: +86-519-88671999-801 传真: +86-519-
 88671999-808, Fax: 86-519-88671999-808 网址: www.kailijin.cn (CN)
www.keliking.com(EN) Http:www.kailijin.cn(CN) www.keliking.com(EN) 邮箱:
jimmy@keliking.com E-mail:jimmy@keliking.com 手机: +86-13656128000 MOB:+86-
 13656128000

Approved by	Checked by	Lssued by



常州市凯丽金电子有限公司---微型贴片电声元器件专业生产商

KELIKING ELECTRONIC-----Micro Acoustical device & piezo ceramic manufacturer

A. SCOPE 範疇

This specification applies Earphone Speaker KLJ-5010R32W20mW



B. SPECIFICATION 规格

Parameter	Conditions/Description	Values	Unit
Rated Input Power		20	mW
Max Input Power		30	mW
Rated Impedance	at 1.0K Hz, 1mW input	32±15%	Ω
Sound Pressure Level (S.P.L.)	0.1m At 20Hz-200Hz 201Hz-999Hz 1KHz 179mV with IEC318	115±3	dB
Resonant Frequency (Fo)	in free air 0.1m At 1KHz 179mV	240±20%	Hz
Frequency Range		Fo~20K	Hz
Distortion	At 20Hz-10KHz At 179mV /318/EAR	≤3%	-
Magnet	NdFeB		
Buzz, Rattle, etc.	Sine wave between at 0.8V 50Hz-3000Hz	0.8	V
	ine wave between at 1.0V 50Hz-3000Hz	1.0	V
Polarity	cone will move forward with positive dc current to "+" terminal		
Weight		2.5	g
Operating Temperature		-20~+70	°C
Waterproof		NA	

Notes: 1、Electrical performance can be adjusted according to user requirements

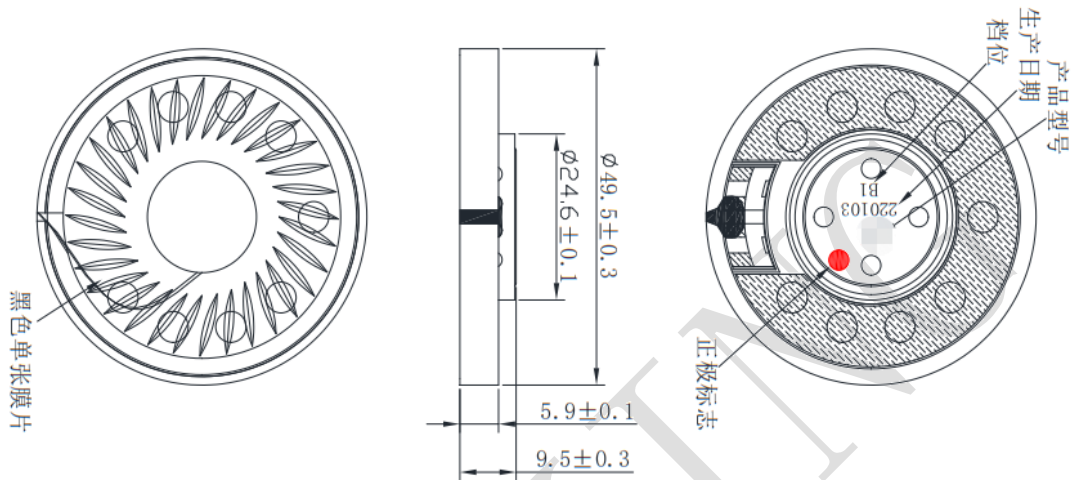
(产品所使用的材料以及电性能可以按用户要求来定制)

2、Above Measuring condition under temperature : 15~35°C R.H. 25~75%.

Accordig to standard GB/T9396-1996

地址：常州市天宁区恒生科技园 1-1301 电话：0519-88671999 网址：www.kailijin.cn www.keliking.com

C. APPEARANCE DRAWING 外觀尺寸图



Tolerance general unless otherwise specified: $\pm 0.5\text{mm}$ unit: mm

CONSTRUCTION DETAIL

PART NO.	PART NAME	Q' TY	MATERIAL	REMARK
1	Diaphragm	1	Peek	
2	VOICE COIL	1	COPPER WIRE	
3	Plate	1	SPCC	
4	Magnet	1	NdFeB	
5	Frame	1	Plastic	

D. RESPONSE CURVES

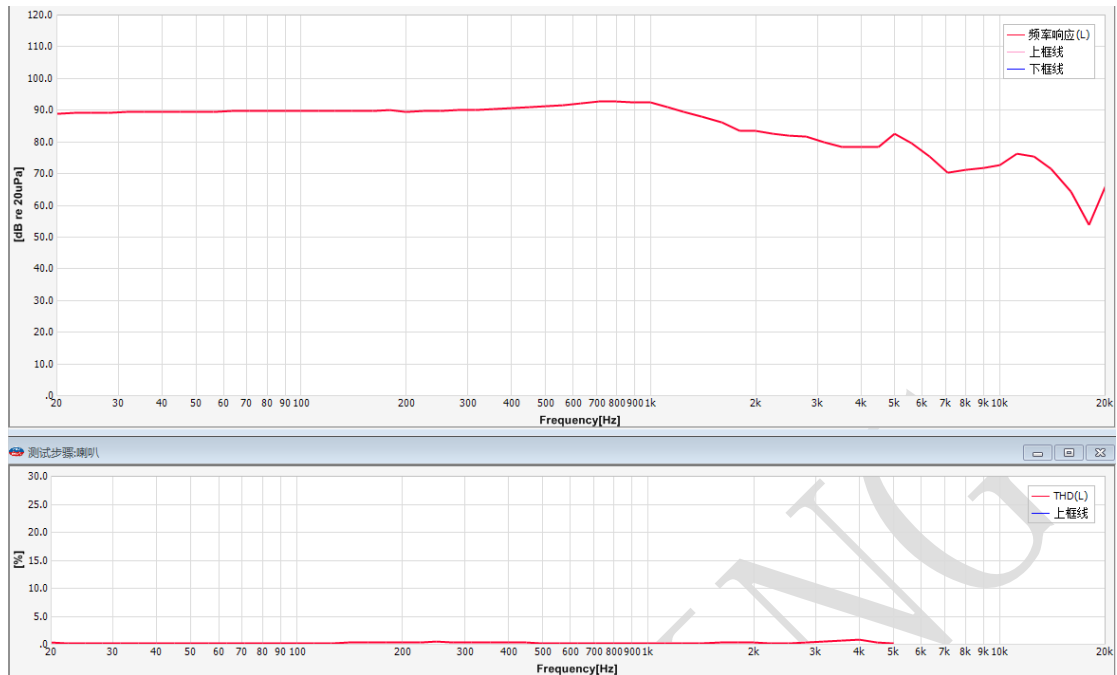
Frequency Response Curve

Test condition: 1.0W/0.1M,(1CC), Total Harmonic Distortion Curve



常州市凯丽金电子有限公司---微型贴片电声元器件专业生产商

KELIKING ELECTRONIC-----Micro Acoustical device & piezo ceramic manufacturer



E. RELIABILITY TEST

1	Reliability Test Performance	After any following test, parts should conform to original performance within ± 3 dB tested with Rated Power, after 6 hours of recovery period.(with 500HZ high pass filter)
2	Long-term rated power test	Input rated power pink noise to the speaker, low temperature ($-20\pm 2^\circ$) for 24hrs, then raising temperature to ($60\pm 2^\circ$) for 72hrs
3	Short-term maximum power test	Room temperature 25°C Input 1sec Max power pink noise to the speaker, idle for 59sec, cycling 30times. 102 / 5000
4	Voice coil destructive test	(I) Room temperature 25°C Input Max power DC signal for 30sec.5Pcs for normal connection(Power+ \rightarrow Speaker+, Power- \rightarrow Speaker-) 5Pcs for inverse connection(Power+ \rightarrow Speaker-, Power- \rightarrow Speaker+) (II) Input Max power sweep signal to the speaker. Sweep frequency range: 300Hz to 20kHz Cycle time: 2Sec for one cycle, cycling for 8 hrs.
5	Long-term temperature cycling test	Input rated power pink noise to the speaker Temperature range: $-20^\circ\text{C}\sim 60^\circ\text{C}$ Temperature change rate is $5\sim 10^\circ\text{C}/\text{min}$, 15min at -20°C and 60°C , cycling 50 times.
6	Long-term high temperature and high humidity test	Input rated power pink noise to the speaker Temperature 60°C ,humidity 90%RH for 72hrs.
7	Salt mist test	Salt mist concentration: 5% NaCl PH: 6.5~7.2 solution, which was continuously sprayed at 35°C for 48 hours

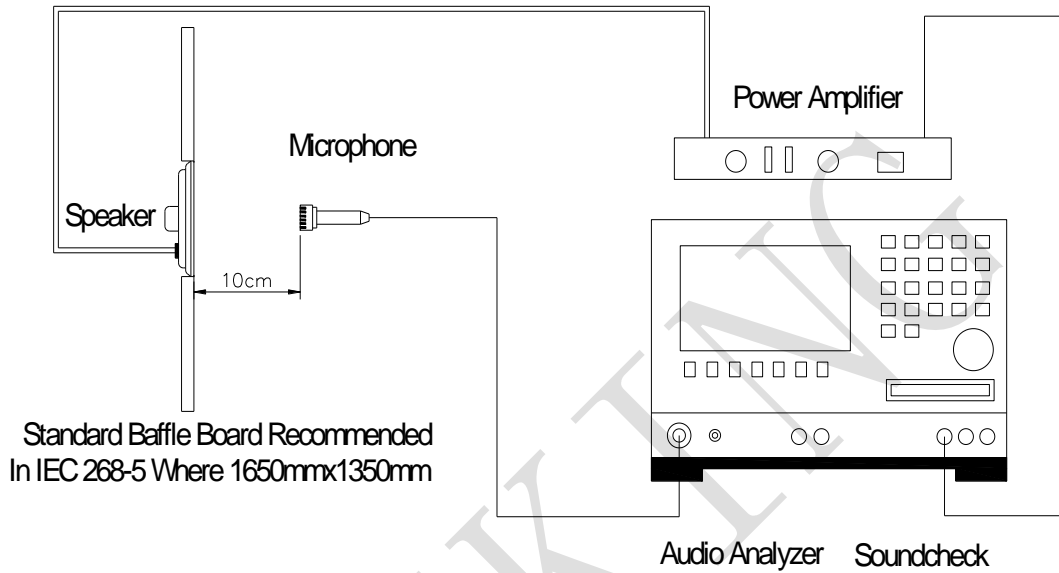


常州市凯丽金电子有限公司---微型贴片电声元器件专业生产商

KELIKING ELECTRONIC-----Micro Acoustical device & piezo ceramic manufacturer

F.TESTING METHOD

Standard test condition of speaker



G.RecommendDrivingCircuit





常州市凯丽金电子有限公司---微型贴片电声元器件专业生产商

KELIKING ELECTRONIC-----Micro Acoustical device & piezo ceramic manufacturer

H.PACKINGSTANDARD

units: cm

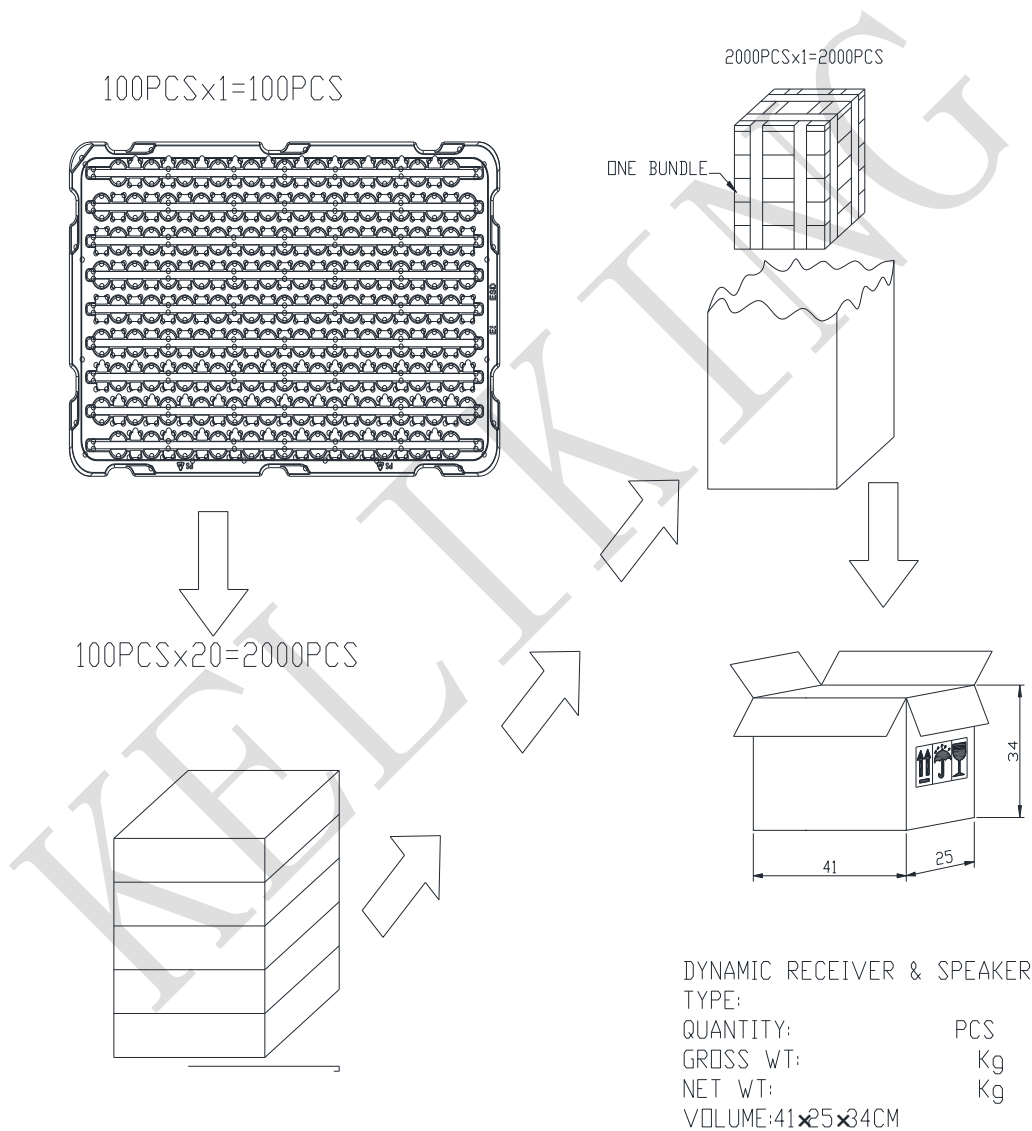
Remark:

100pcs per tray

20 trays for unit, 1units per carton

Total:2000 pcs per box

Size:41*25*34cm



X-ON Electronics

Largest Supplier of Electrical and Electronic Components

Click to view similar products for [Speakers & Transducers](#) category:

Click to view products by [KELIKING](#) manufacturer:

Other Similar products are found below :

[FC-30814-P127](#) [AS02832MR-2-R](#) [PB-1220PE](#) [PB-2015PQ](#) [SWFK-31736-000](#) [PT-2065FW](#) [PT-4175W](#) [PB-0927PQ](#) [BF-9778-000](#) [MBS](#)
[3000-1811-A1AB08-0](#) [SMS2020-08H4.5](#) [LF](#) [BDT1717-08H6.5W56MLF](#) [AS03608MR-LW100-R](#) [SP570445-4](#) [FS7033NB0830-H15.5-R01](#)
[FS7833NB0830-H19.0-R01](#) [FS77DS0850-H24-R01](#) [GSPK5010TN-4R2W](#) [GSPK5010TN-4R3W](#) [KLJ-1504R8W0.5-L44](#) [FS7423NB0430-](#)
[H10.0](#) [FS50DS0430-H12.7](#) [PEI](#) [FS3511NB0808-H6.7-R01](#) [FS4020NB0410-H6.0-R01](#) [FS66W04100-H31](#) [FS45DS0880-H24.8-R02](#)
[FS32NS0820-H5.8-R01](#) [FS2112NB0807-H7.0-R01](#) [FS3520NS0820-H7.9-P1.25-L60](#) [FS50DS0430-H13.3-R24](#) [FS3411P08-H4.0](#)
[FS26NS0820-H4.9-R01](#) [FS14430NB0880-H30-R01](#) [FS5835DS0850-H19.4-R01](#) [FS2011NB0807-H3.9-R01](#) [FS28DS0820-H9.4-R01](#)
[FS66W0830-H27](#) [FS66W0850-H22](#) [FS40DS0830-H11.2-P2.0-L100](#) [FS28DS0830-H15.3](#) [FS102W0480-H35](#) [FS3525NS0820-H5.5-R01](#)
[FS5035NB0820-H26.8-R01](#) [FS27DS0830-H10.8-R01](#) [FS3915NB0808-H11.5-R01](#) [FS3020NB0808-H4.0-R01](#) [FS3616NB0808-H10-R01](#)
[FS3514NB0808-H6.0-R01](#) [FS40DS0450-H18.3](#) [FS77W0450-H23.5](#)