

MESSRS:

SPECIFICATION FOR APPROVAL

产 品 规 格 书

DESCRIPTION : SMD BUZZER
PART NO. : KLJ-8540-3627
USER' S PART NO. :
DATE : 2009. 03. 30
CUSTOMER APPROVED :

| Approved By | Checked By | Made By |
|-------------|------------|---------|
| | | |

常州市凯丽金电子有限公司

地址：常州市新北区漓江路

网址：www.kailijin.cn

邮箱：866@kailijin.cn

电话：0519-88671999

手机：13656128000

KLJ-8540A-3627

DATE:2009.03.30

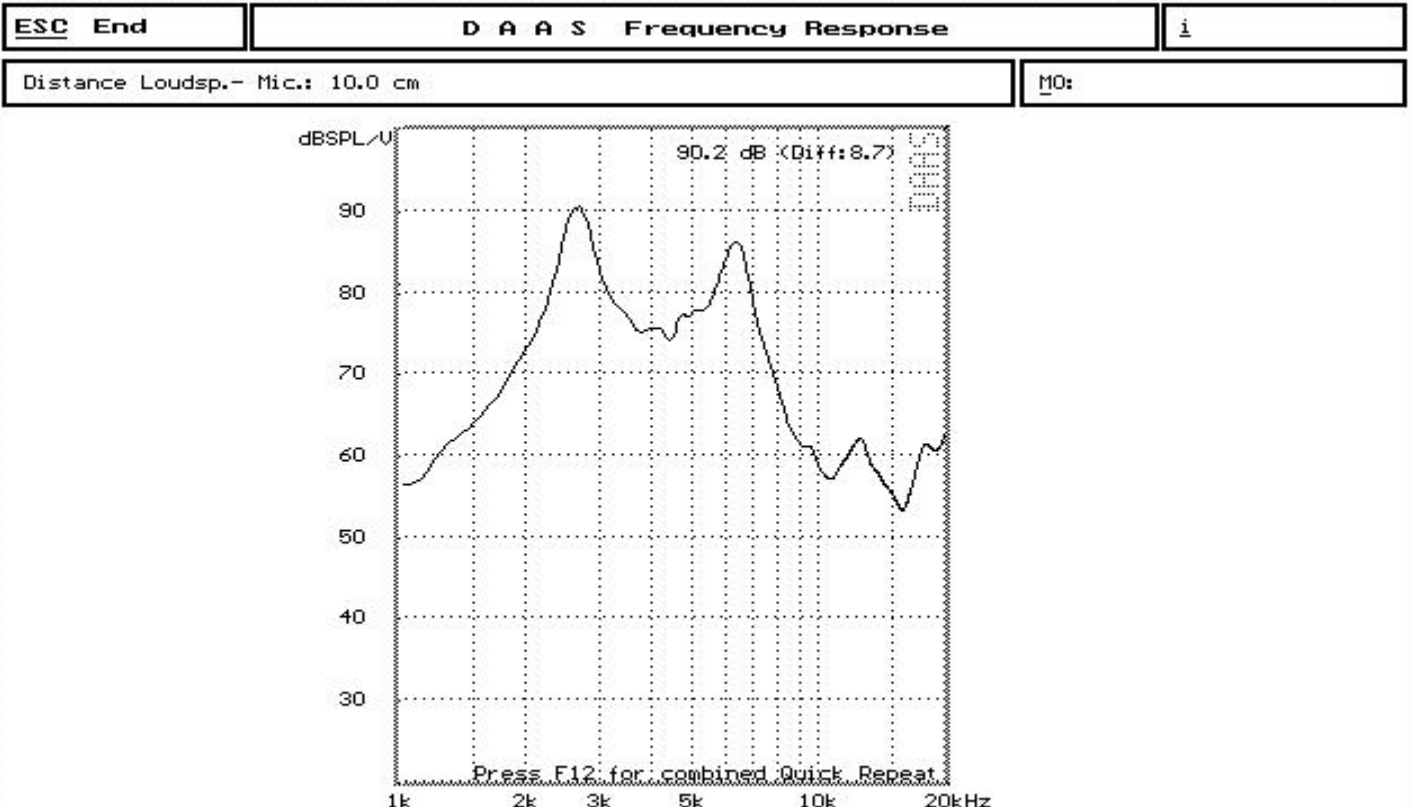
1 . Electrical Characteristics

VER .:0

| | |
|--|-----------------------------|
| Oscillation Frequency (Hz) | 2731 |
| Operating Voltage (Vp-p) | 2.5 ~4.5 |
| Rated Voltage (Vp-p) | 3.6 |
| Current Consumption (mA/max.) | 90 at Rated Voltage |
| Sound Pressure Level (dB/min.) | 86 at 10cm at Rated Voltage |
| Coil Resistance (Ω) | 16 ± 3 |
| Operating Temperature ($^{\circ}\text{C}$) | -20 ~ +60 |
| Storage Temperature ($^{\circ}\text{C}$) | -30 ~ +80 |
| Environmental protection rule | ROHS |

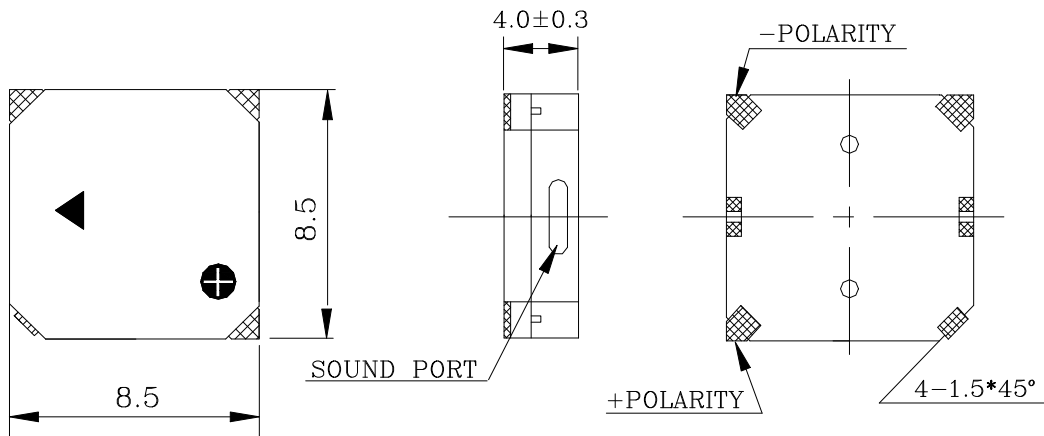
PS : Vp-p=1/2duty , square wave

2 . Typical Frequency Response Curve



3 . Dimensions and Material

3-1 Shape

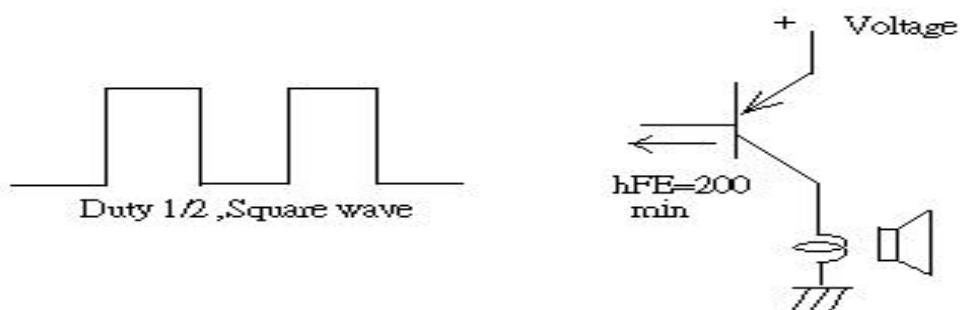


Unit : mm TOL: ± 0.3

3-2 Material

| | |
|---------------|-----------------------------------|
| Housing | LCP plastic resin (Color : Black) |
| Leading Pin | Tin Plated Brass |
| Weight (Gram) | 0.6 |

4 . Recommend Driving Circuit



The base current I_b should high enough so that it saturates the collector current of the transistor with the CB load.

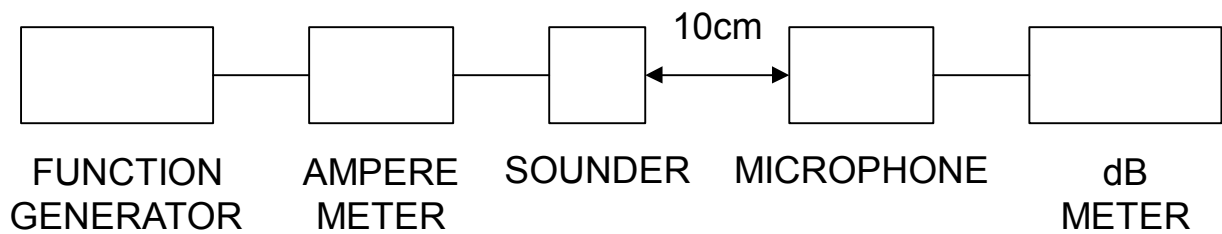
5. TESTING METHOD

- **Standard Measurement conditions**

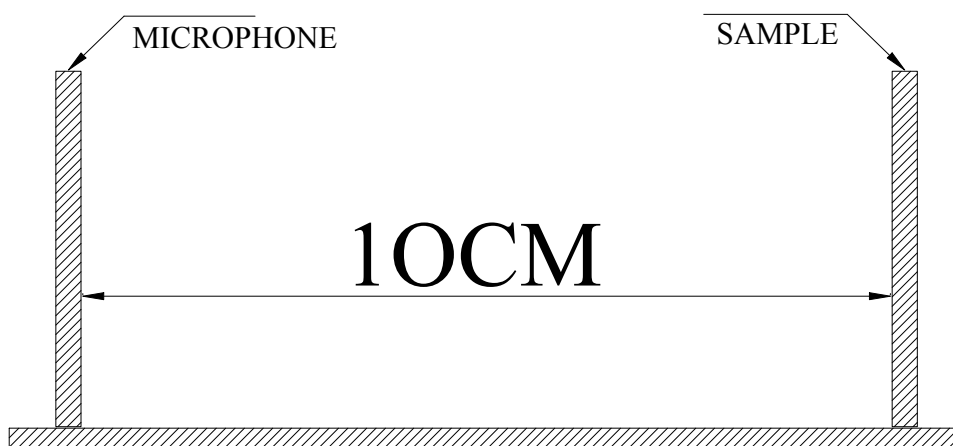
Temperature: $25 \pm 2^\circ\text{C}$ Humidity: 45-60%

- **Acoustic Characteristics**

The oscillation frequency, current consumption and sound pressure are measured by the measuring instruments shown below.



In the measuring test, buzzers is placed as follows:



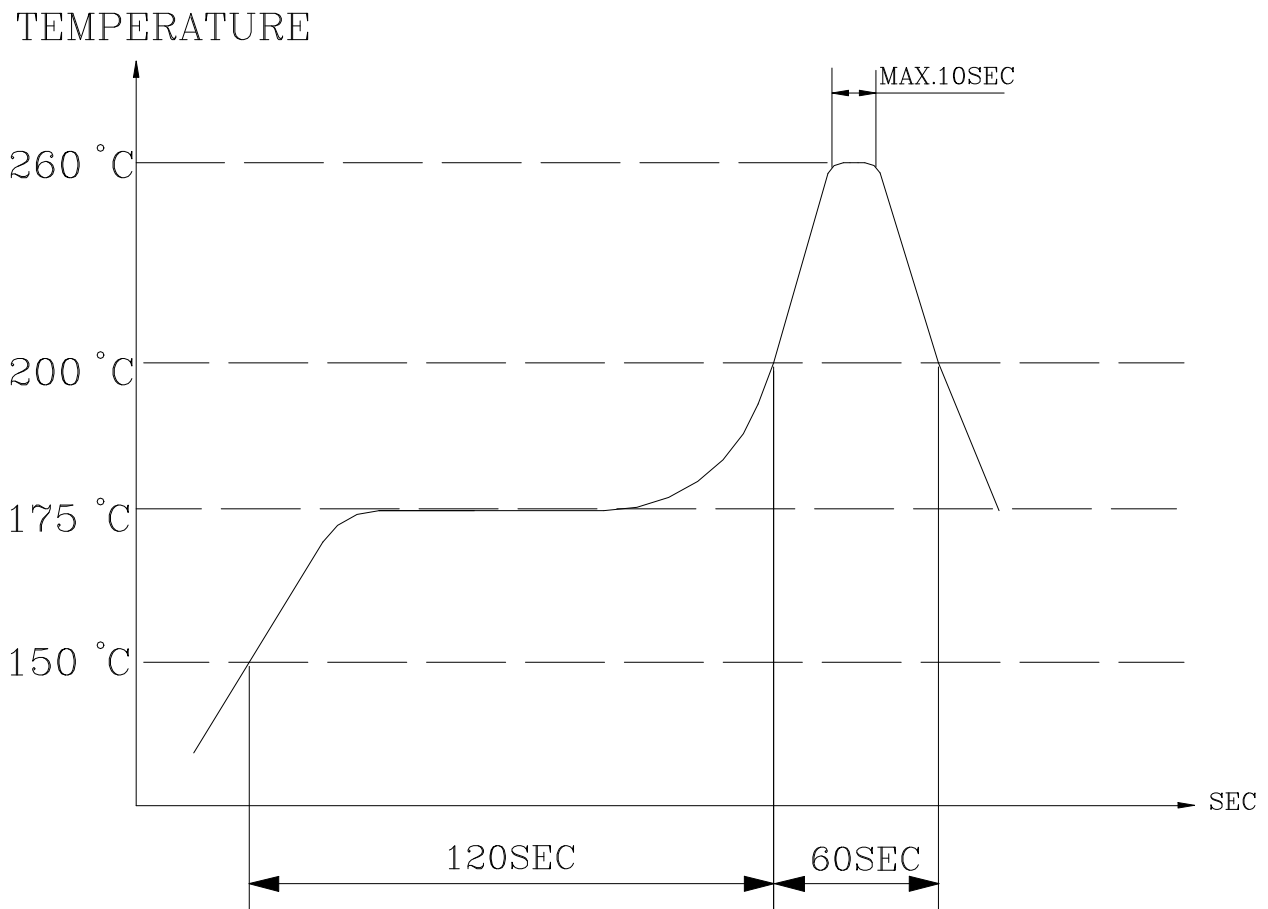
6. RELIABILITY

| ITEMS | METHOD OF TEST AND MEASUREMENTS | PERFORMANCE |
|-----------------------------------|---|-----------------------------------|
| <i>Coldness withstanding</i> | <i>After 98 hours of being exposed to -30 °C environment, should be returned to normal environment for 2 hours, then re-proceed to test.</i> | <i>No abnormality shall exist</i> |
| <i>Hotness withstanding</i> | <i>After 98 hours of being exposed to +80 °C environment, should be returned to normal environment for 2 hours, then re-proceed to test.</i> | <i>No abnormality shall exist</i> |
| <i>Humidity withstanding</i> | <i>After 98 hours of being exposed to 40 °C 95%RH environment in actual operation, should be returned to normal environment for 2 hours, then re-proceed to test.</i> | <i>No abnormality shall exist</i> |
| <i>Durability</i> | <i>Testing after 1,000 hours actual continuous operation. (at standard measurement conditions)</i> | <i>No abnormality shall exist</i> |
| <i>Drop withstanding</i> | <i>A natural drop from 75cm high down to the ground.</i> | <i>No abnormality shall exist</i> |
| <i>Vibration withstanding</i> | <i>Vibration of 2,000 cycles per minute, 2mm amplitude, applied in X, Y and Z directions for 30 minutes each.</i> | <i>No abnormality shall exist</i> |

7.Soldering Condition

(1)Recommendable reflow soldering condition is as follows
(Reflow soldering is twice)

Note:It is requested that reflow soldering should be executed
after heat of product goes down to normal.



Heat resistant line

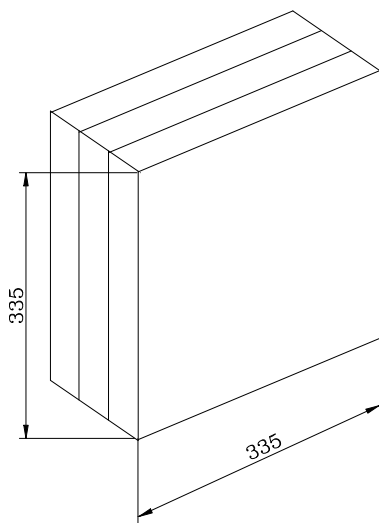
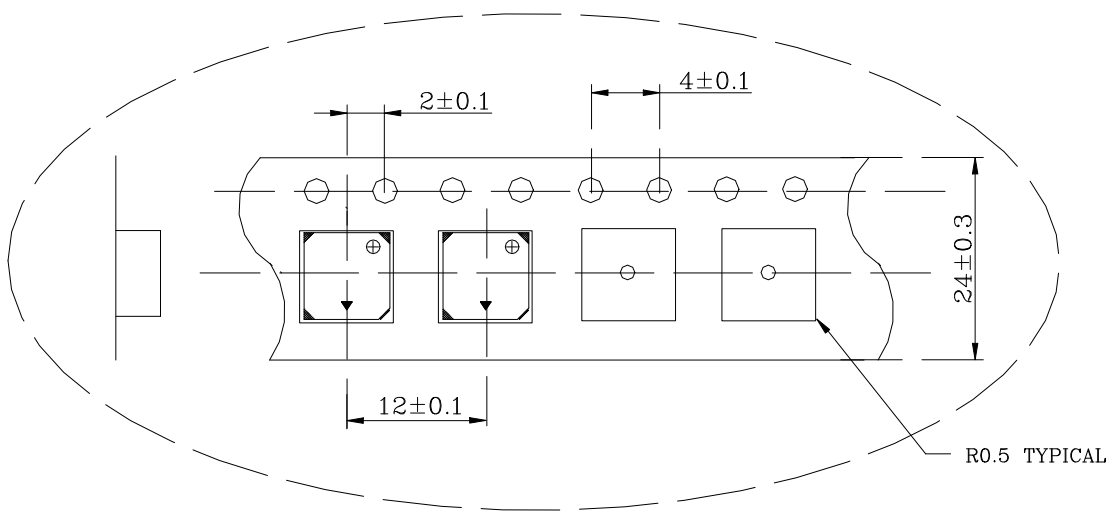
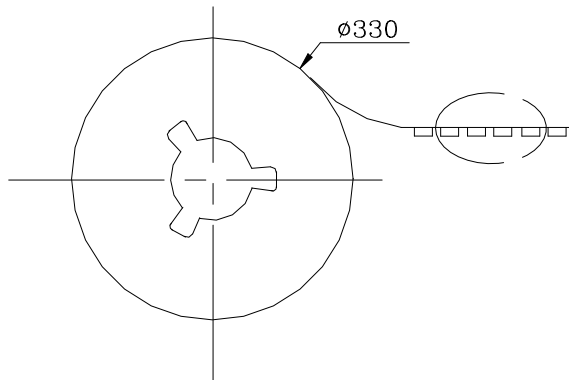
(Used when heat resistant reliability test is performed)

(2)Manual soldering

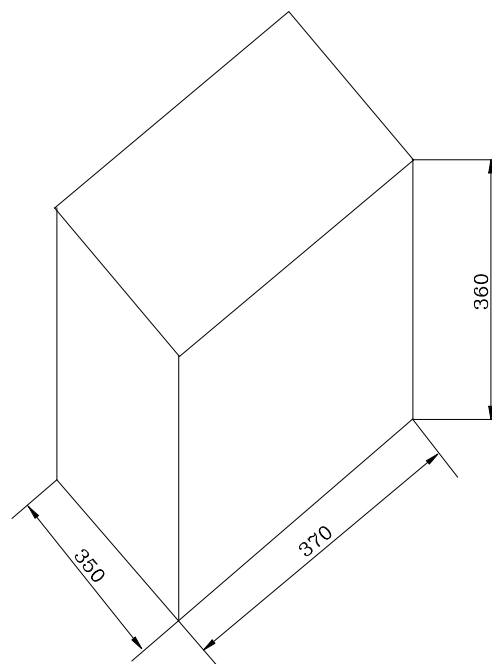
Manual soldering temperature 350 °C within 10 sec.

8. PACKAGE METHOD

CARRIER REEL
1K PCS BUZZER



INNER BOX
1 ROLL CARRIER REEL



CARTON BOX
10 INNER BOX
10K PCS BUZZER

Unit:mm

X-ON Electronics

Largest Supplier of Electrical and Electronic Components

Click to view similar products for [Piezo Buzzers & Audio Indicators](#) category:

Click to view products by [KELIKING](#) manufacturer:

Other Similar products are found below :

[6-4](#) [68S1240-PA](#) [ESZ-26B](#) [FDG06PSLLF](#) [F/DGX12P WITH LABEL LF](#) [F/EM12PLF](#) [PF-35N29WQ](#) [PFD-21A29W](#) [PFD-27A35PQ](#) [PL-21N30WQ](#) [PL-27A35PSQ](#) [PLD-21N30W](#) [PLD-21N30WQ](#) [PS-531Q](#) [PT-3534FP](#) [B822B](#) [B/CP28/100DB/BLACK LF](#) [S6109](#) [SC110E](#) [SC2036ACP](#) [SC616N-2](#) [SC628FW](#) [SC628MPG](#) [SC648D](#) [SCS045MD9DT3S](#) [ESZ-25B-5-250B](#) [ESZ-25S](#) [F/BC 35-DR LF](#) [FCM12PLF](#) [SSX-52SA](#) [F/EB20P-DR LF](#) [AI-4228-TF-LW305-R](#) [PFD-27N36W](#) [PKM35-4A0](#) [PL-35N29WQ](#) [PLD-27A35PQ](#) [PS-552Q](#) [CM-5](#) [REF-202](#) [B/SE 128 RED LF](#) [KBS-20DA-7AS](#) [KBS-27DA-5C-105](#) [LSC628ANR](#) [03-810.001](#) [RTO-1R07-001](#) [PL-21N31PQ](#) [F/DGX 05P WITH LABEL LF](#) [MSR516NP](#) [OMT112](#) [OMT222L](#)