

MESSRS:

SPECIFICATION FOR APPROVAL

产品规格书

DESCRIPTION : SMD BUZZER
PART NO. : KLJ-9032-3627
USER' S PART NO. :
DATE : 2013/3/14
CUSTOMER APPROVED :

Approved By	Checked By	Made By
汪济福	王英姿	明 华

常州市凯丽金电子有限公司

CHANGZHOU KAILIJIN ELECTRONIC CO., LTD

地址：常州市新北区滂江路9号

电话：0519-88671999-801

网址：www.kailijin.cn

邮箱：866@kailijin.cn

KLJ-9032-3627

DATE:2013/3/14

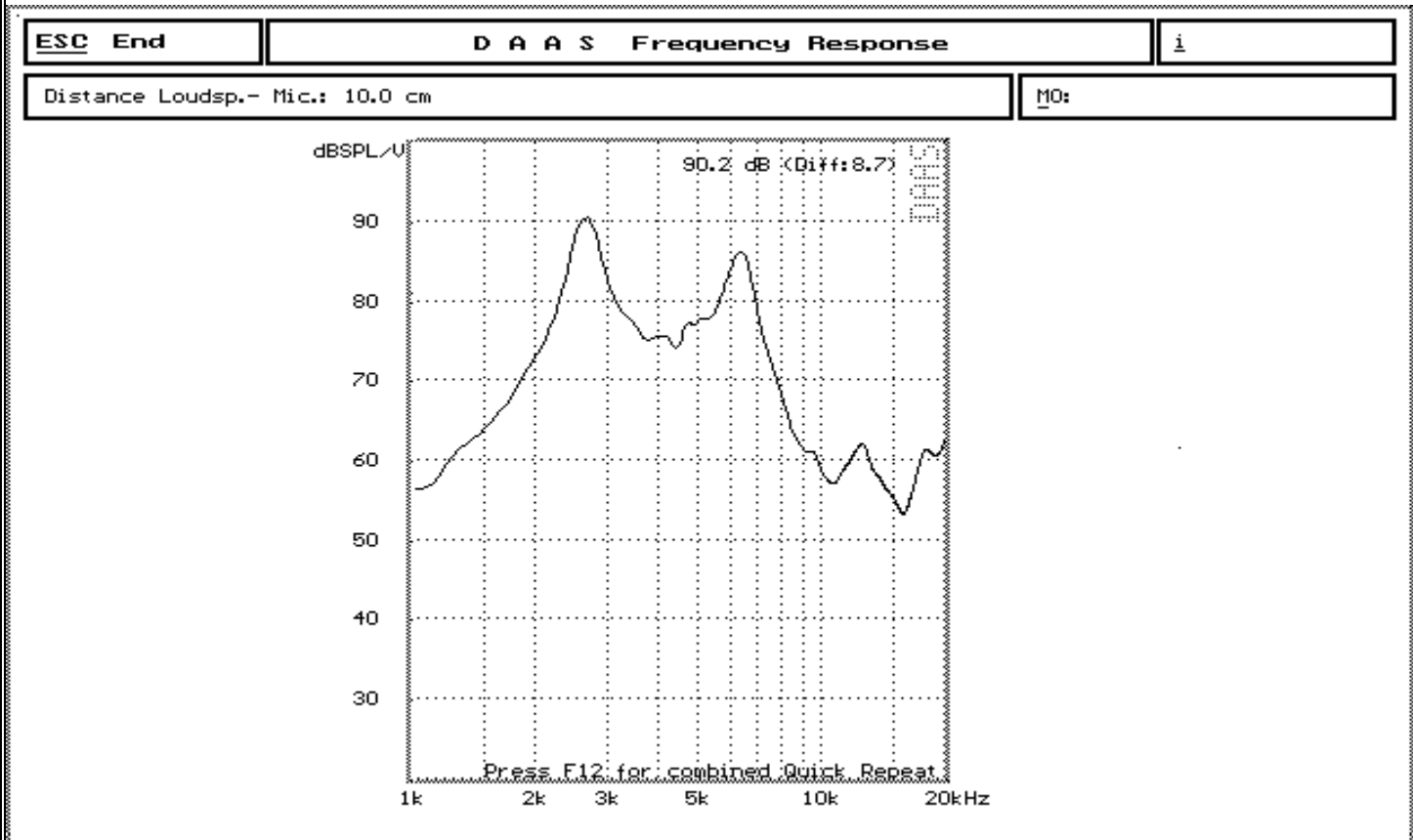
1 . Electrical Characteristics

VER :0

Oscillation Frequency (Hz)	2731
Operating Voltage (Vp-p)	2.5 ~4.5
Rated Voltage (Vp-p)	3.6
Current Consumption (mA/max.)	100 at Rated Voltage
Sound Pressure Level (dB/min.)	85 at 10cm at Rated Voltage
Coil Resistance (Ω)	16 ± 3
Operating Temperature ($^{\circ}\text{C}$)	-30 ~ +70
Storage Temperature ($^{\circ}\text{C}$)	-40 ~ +85

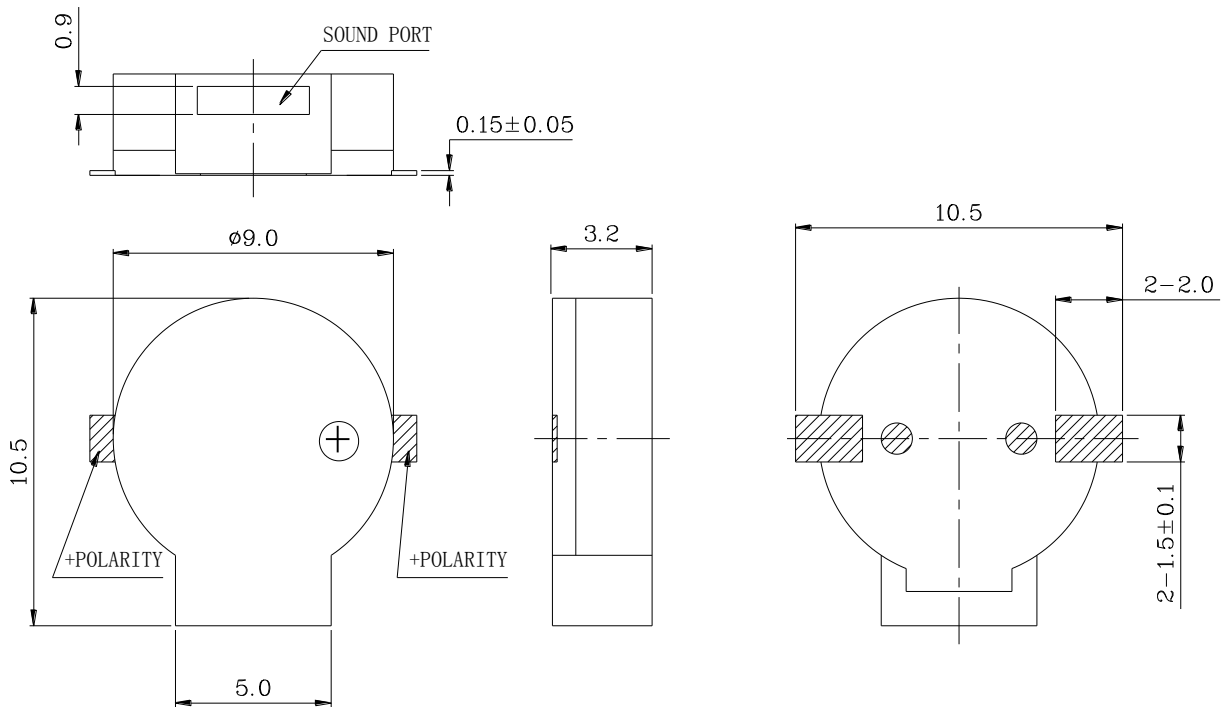
PS : Vp-p= 1/2duty , square wave

2 . Typical Frequency Response Curve



3 . Dimensions and Material

3-1 Shape

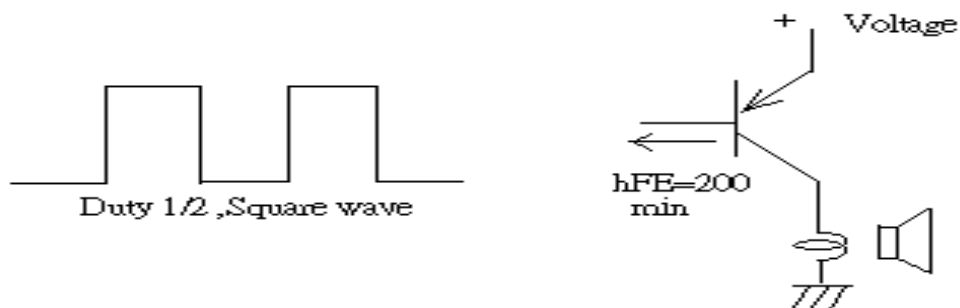


Unit : mm Tol: ± 0.3

3-2 Material

Housing	LCP plastic resin (Color : Black)
Leading Pin	Tin Plated Brass
Weight (Gram)	0.8

4 . Recommend Driving Circuit



The base current I_b should high enough so that it saturates the collector current of the transistor with the CB load.

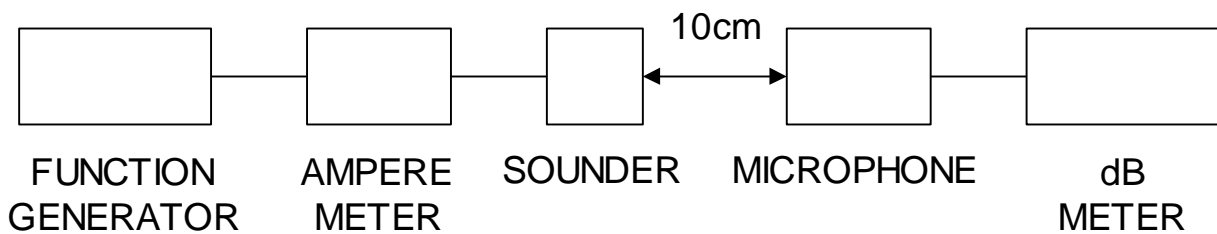
5. TESTING METHOD

- **Standard Measurement conditions**

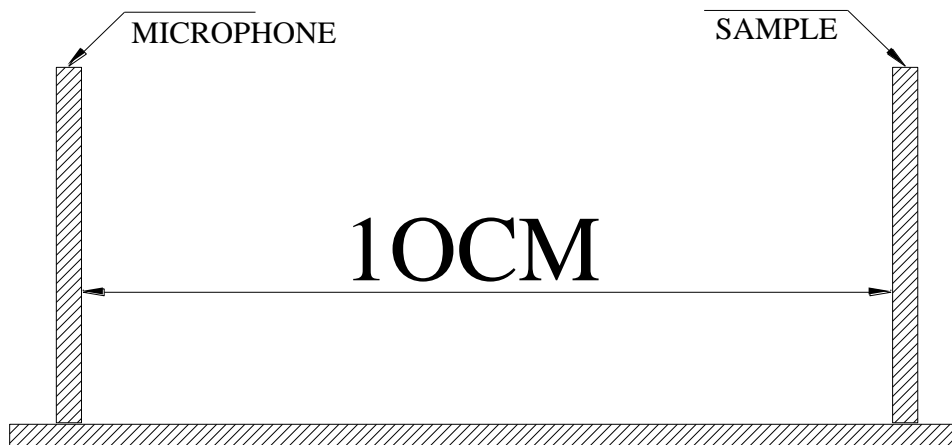
Temperature: $25 \pm 2^\circ\text{C}$ Humidity: 45-60%

- **Acoustic Characteristics**

The oscillation frequency, current consumption and sound pressure are measured by the measuring instruments shown below.



In the measuring test, buzzers is placed as follows:



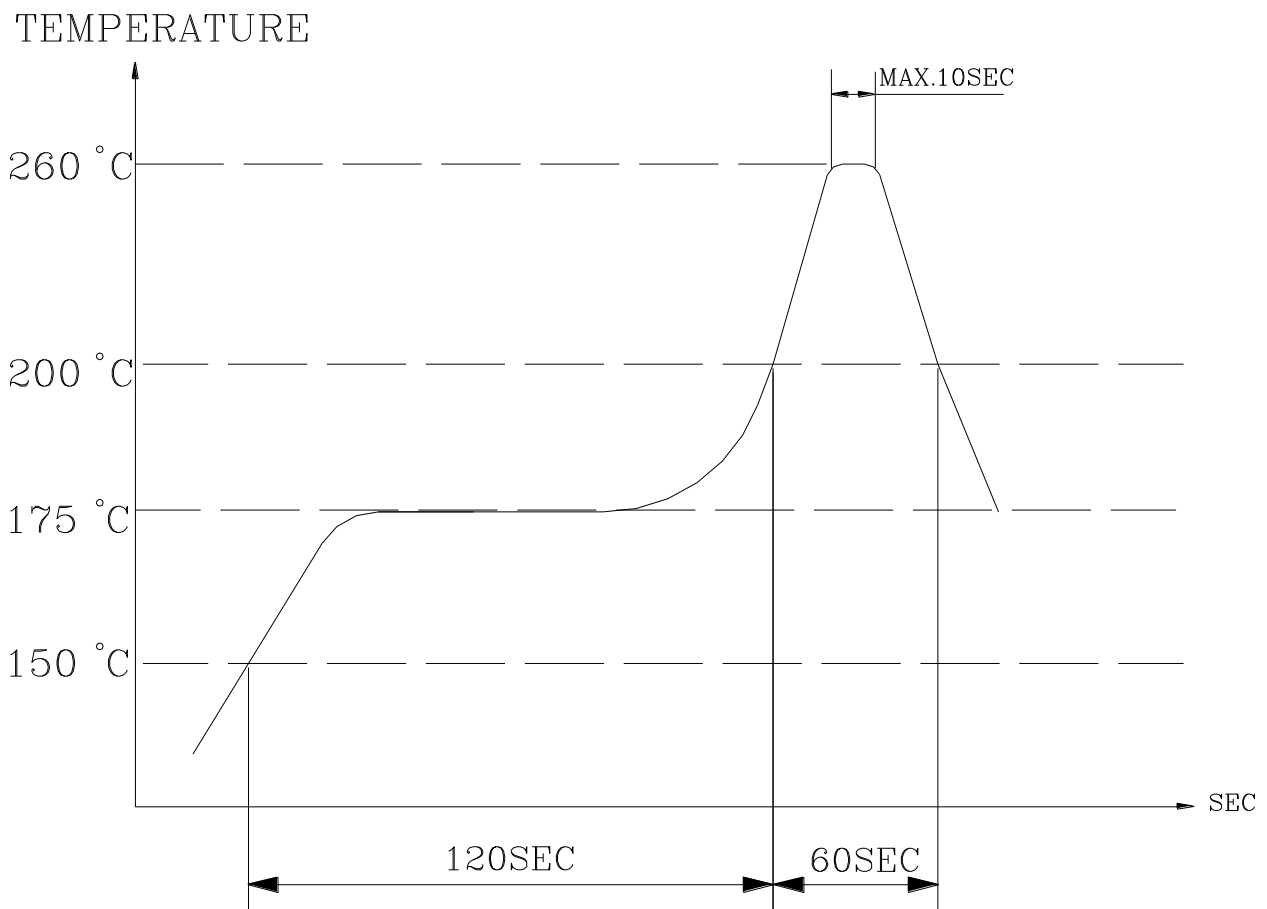
6. RELIABILITY

ITEMS	METHOD OF TEST AND MEASUREMENTS	PERFORMANCE
<i>Coldness withstanding</i>	<i>After 98 hours of being exposed to -30 °C environment, should be returned to normal environment for 2 hours, then re-proceed to test.</i>	<i>No abnormality shall exist</i>
<i>Hotness withstanding</i>	<i>After 98 hours of being exposed to +80 °C environment, should be returned to normal environment for 2 hours, then re-proceed to test.</i>	<i>No abnormality shall exist</i>
<i>Humidity withstanding</i>	<i>After 98 hours of being exposed to 40 °C 95%RH environment in actual operation, should be returned to normal environment for 2 hours, then re-proceed to test.</i>	<i>No abnormality shall exist</i>
<i>Durability</i>	<i>Testing after 1,000 hours actual continuous operation. (at standard measurement conditions)</i>	<i>No abnormality shall exist</i>
<i>Drop withstanding</i>	<i>A natural drop from 75cm high down to the ground.</i>	<i>No abnormality shall exist</i>
<i>Vibration withstanding</i>	<i>Vibration of 2,000 cycles per minute, 2mm amplitude, applied in X, Y and Z directions for 30 minutes each.</i>	<i>No abnormality shall exist</i>

7. Soldering Condition

(1) Recommendable reflow soldering condition is as follows
(Reflow soldering is twice)

Note: It is requested that reflow soldering should be executed after heat of product goes down to normal.



Heat resistant line

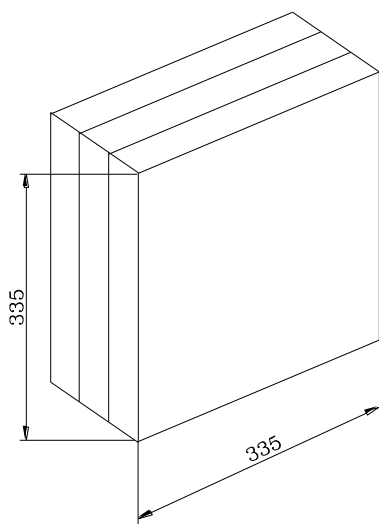
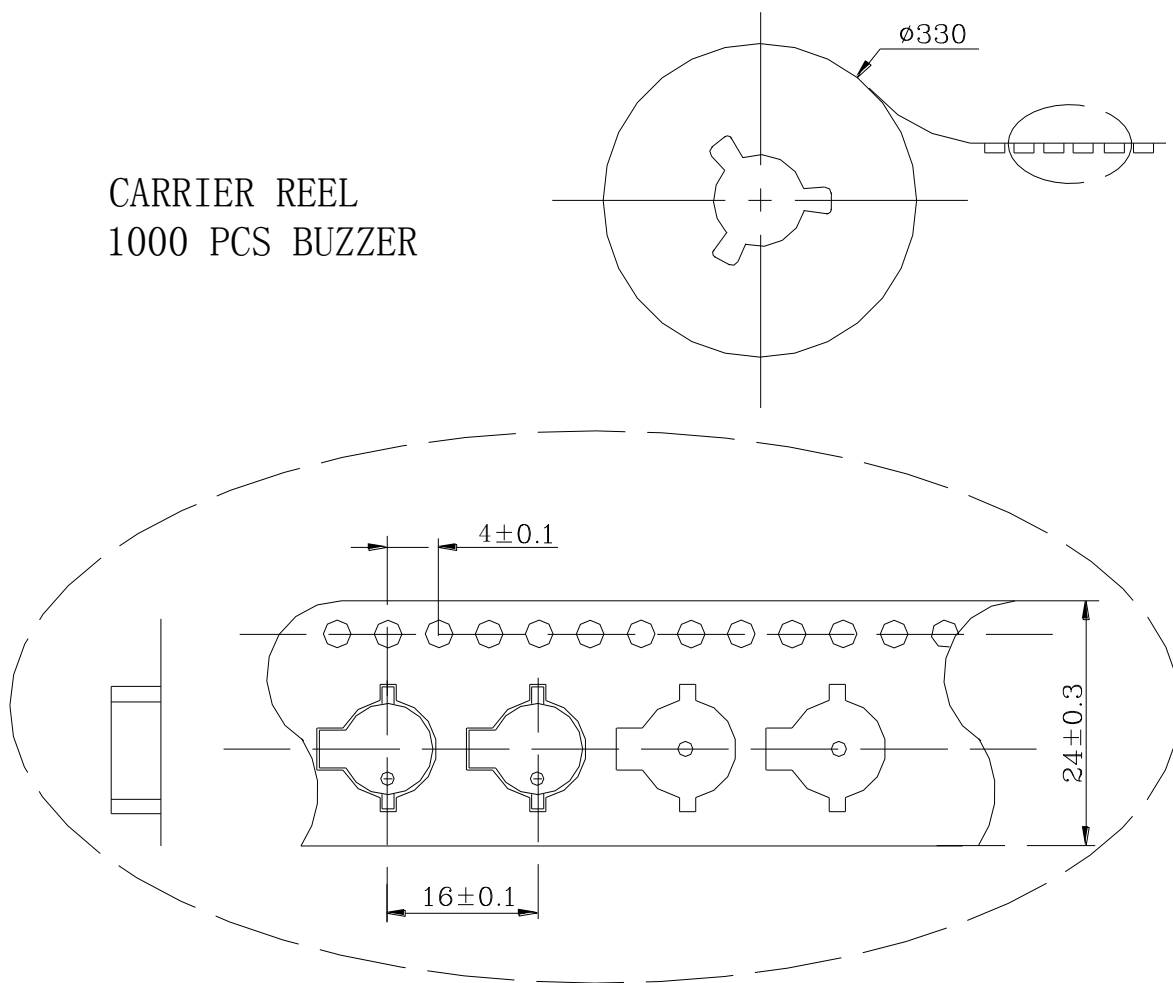
(Used when heat resistant reliability test is performed)

(2) Manual soldering

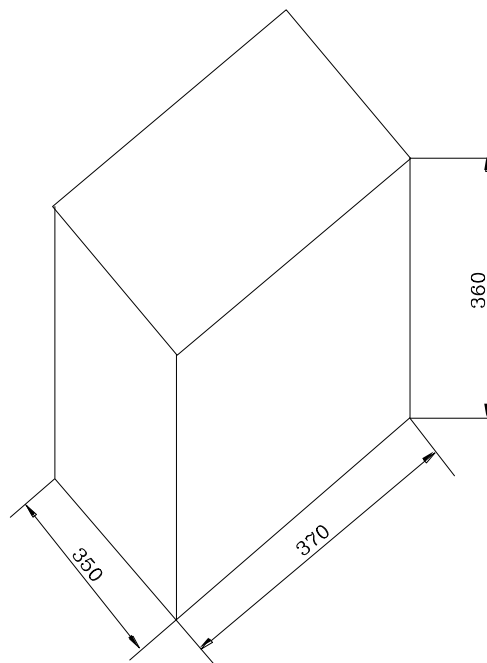
Manual soldering temperature 350 °C within 10 sec.

8. PACKAGE METHOD

CARRIER REEL
1000 PCS BUZZER



INNER BOX
1 ROLL CARRIER REEL



CARTON BOX
10 INNER BOX
10K PCS BUZZER

Unit:mm

X-ON Electronics

Largest Supplier of Electrical and Electronic Components

Click to view similar products for [Piezo Buzzers & Audio Indicators](#) category:

Click to view products by [KELIKING](#) manufacturer:

Other Similar products are found below :

[6-4](#) [68S1240-PA](#) [ESZ-26B](#) [FDG06PSLLF](#) [F/DGX12P WITH LABEL LF](#) [F/EM12PLF](#) [PF-35N29WQ](#) [PFD-21A29W](#) [PFD-27A35PQ](#) [PL-21N30WQ](#) [PL-27A35PSQ](#) [PLD-21N30W](#) [PLD-21N30WQ](#) [PS-531Q](#) [PT-3534FP](#) [B822B](#) [B/CP28/100DB/BLACK LF](#) [S6109](#) [SC110E](#) [SC2036ACP](#) [SC616N-2](#) [SC628FW](#) [SC628MPG](#) [SC648D](#) [SCS045MD9DT3S](#) [ESZ-25B-5-250B](#) [ESZ-25S](#) [F/BC 35-DR LF](#) [FCM12PLF](#) [SSX-52SA](#) [F/EB20P-DR LF](#) [AI-4228-TF-LW305-R](#) [PFD-27N36W](#) [PKM35-4A0](#) [PL-35N29WQ](#) [PLD-27A35PQ](#) [PS-552Q](#) [CM-5](#) [REF-202](#) [B/SE 128 RED LF](#) [KBS-20DA-7AS](#) [KBS-27DA-5C-105](#) [LSC628ANR](#) [03-810.001](#) [RTO-1R07-001](#) [PL-21N31PQ](#) [F/DGX 05P WITH LABEL LF](#) [MSR516NP](#) [OMT112](#) [OMT222L](#)