

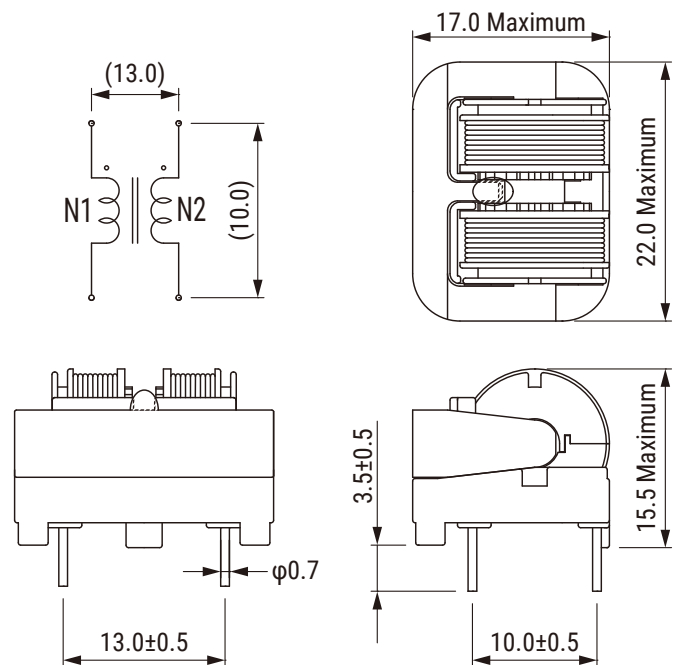
Common Mode & Dual Mode Chokes Coils, 2.2 – 5.0 A High Current Kit

Sample Kit Contents

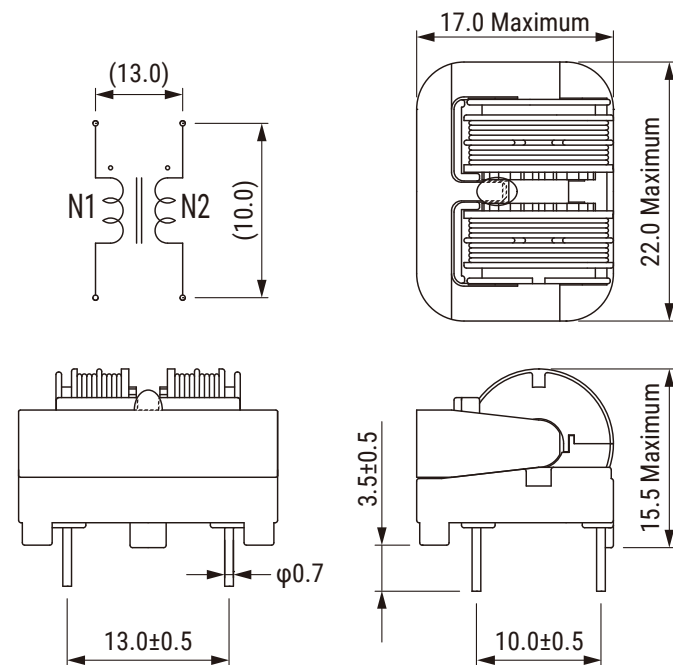
KEMET Part Number	Rated Voltage (VAC)	Rated Current (A)	Inductance (mH) at 10 kHz Minimum	DC Resistance/Line (Ω) Maximum	Temperature Range	Quantity	Description
SSHB10HS-22011	250	2.20	1.10	0.110	-25/+130°C	1	SSHB10HS, Dual Mode
SSHB10H-22014	250	2.20	1.40	0.120	-25/+130°C	1	SSHB10H, Dual Mode
SSR10VS-22026	250	2.20	2.60	0.100	-25/+120°C	1	SSR10VS/HS, Common Mode
SSHB10HS-R22027	250	2.20	2.70	0.110	-25/+120°C	1	SSHB10HS, Dual Mode
SSHB10H-R22034	250	2.20	3.40	0.120	-25/+120°C	1	SSHB10H, Dual Mode
SSR10V-22034	250	2.20	3.40	0.110	-25/+120°C	1	SSR10V/H, Common Mode
SSR21NVS-M25064	250	2.50	6.40	0.090	-25/+120°C	1	SSR21NVS-M/NHS-M, Common Mode
SSR21NV-M25103	250	2.50	10.30	0.120	-25/+120°C	1	SSR21NV-M/NH-M, Common Mode
SSRH24NVS-25130	250	2.50	13.00	0.111	-25/+120°C	1	SSRH24NVS/NHS, Common Mode
SSRH24NV-25205	250	2.50	20.50	0.145	-25/+120°C	1	SSRH24NV/NH, Common Mode
SSHB10HS-30006	250	3.00	0.60	0.060	-25/+130°C	1	SSHB10HS, Dual Mode
SSHB10H-30007	250	3.00	0.70	0.070	-25/+130°C	1	SSHB10H, Dual Mode
SSR10VS-30013	250	3.00	1.30	0.060	-25/+120°C	1	SSR10VS/HS, Common Mode
SSHB10HS-R30015	250	3.00	1.50	0.060	-25/+120°C	1	SSHB10HS, Dual Mode
SSR10V-30016	250	3.00	1.60	0.060	-25/+120°C	1	SSR10V/H, Common Mode
SSHB10H-R30017	250	3.00	1.70	0.070	-25/+120°C	1	SSHB10H, Dual Mode
SSR21NVS-M30041	250	3.00	4.10	0.070	-25/+120°C	1	SSR21NVS-M/NHS-M, Common Mode
SSR21NV-M30064	250	3.00	6.40	0.080	-25/+120°C	1	SSR21NV-M/NH-M, Common Mode
SSRH24NVS-30092	250	3.00	9.20	0.079	-25/+120°C	1	SSRH24NVS/NHS, Common Mode
SSRH24NV-30145	250	3.00	14.50	0.102	-25/+120°C	1	SSRH24NV/NH, Common Mode
SSRH24NVS-35080	250	3.50	8.00	0.074	-25/+120°C	1	SSRH24NVS/NHS, Common Mode
SSRH24NV-35086	250	3.50	8.60	0.078	-25/+120°C	1	SSRH24NV/NH, Common Mode
SSRH24NVS-40059	250	4.00	5.90	0.055	-25/+120°C	1	SSRH24NVS/NHS, Common Mode
SSRH24NV-40069	250	4.00	6.90	0.057	-25/+120°C	1	SSRH24NV/NH, Common Mode
SSRH24NVS-45041	250	4.50	4.10	0.041	-25/+120°C	1	SSRH24NVS/NHS, Common Mode
SSRH24NV-45059	250	4.50	5.90	0.048	-25/+120°C	1	SSRH24NV/NH, Common Mode
SSRH24NVS-50026	250	5.00	2.60	0.027	-25/+120°C	1	SSRH24NVS/NHS, Common Mode
SSRH24NV-50041	250	5.00	4.10	0.035	-25/+120°C	1	SSRH24NV/NH, Common Mode
KEMET Part Number	Rated Voltage (VAC)	Rated Current (A)	Inductance (mH) at 10 kHz Minimum	DC Resistance/Line (Ω) Maximum	Temperature Range	Quantity	Description

Dimensions – Millimeters (Inches)

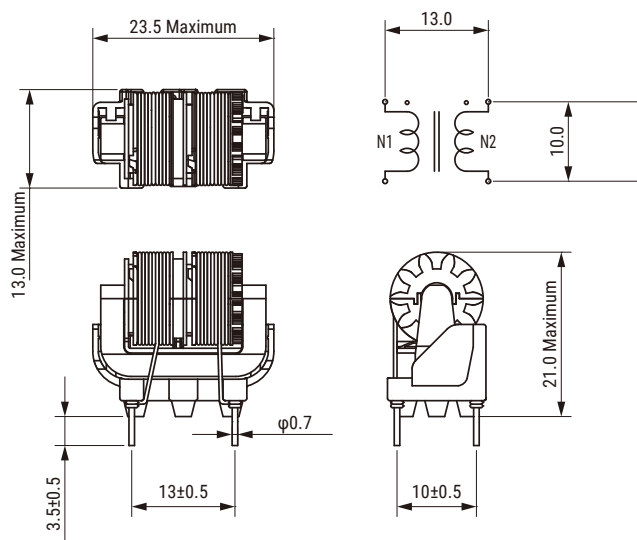
SSHB10H



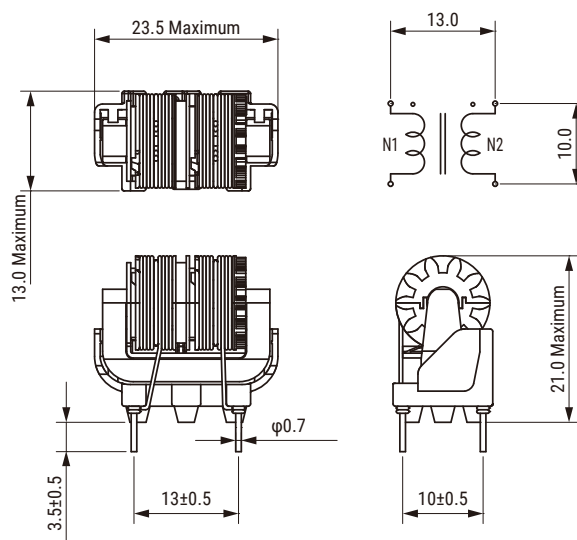
SSHB10HS



SSR10V

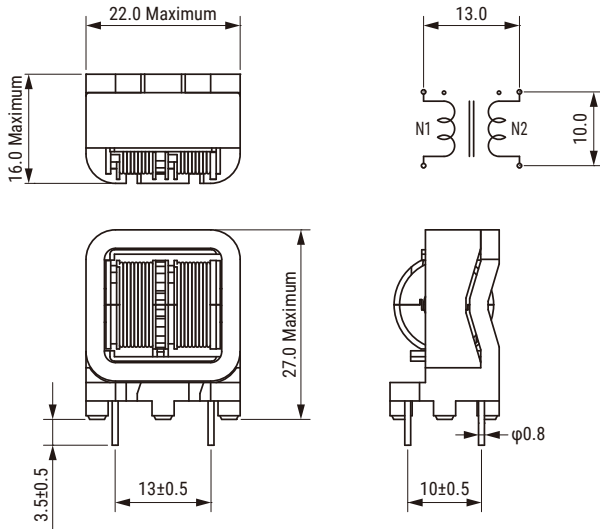


SSR10VS

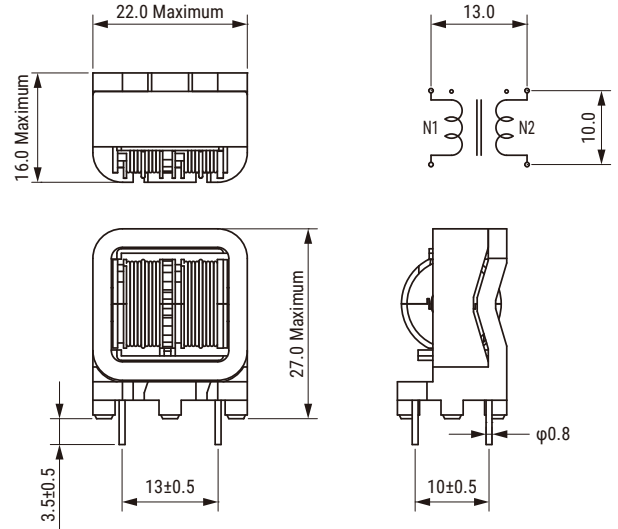


Dimensions – Millimeters (Inches) cont.

SSR21NV-M

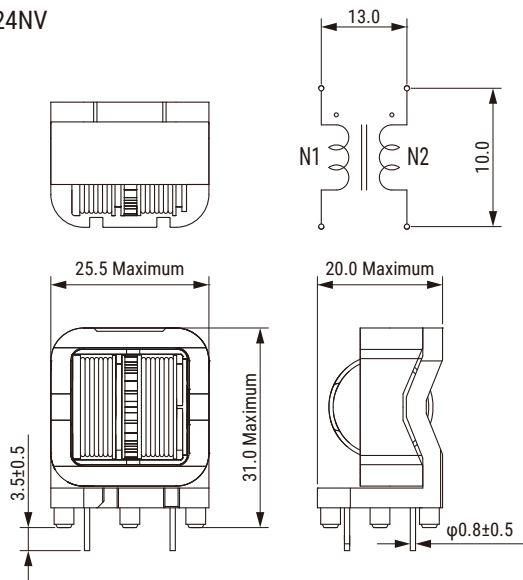


SSR21NVS-M

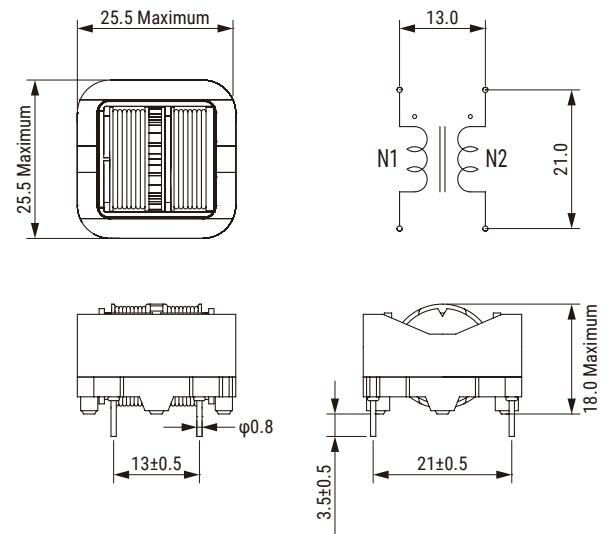


SSRH24NV/NH

● SSRH24NV



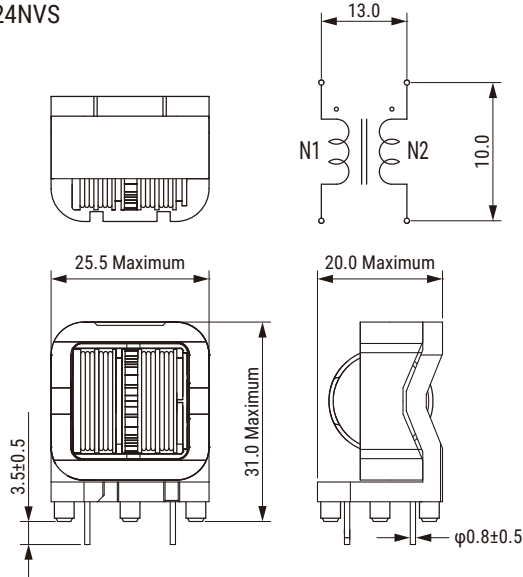
● SSRH24NH



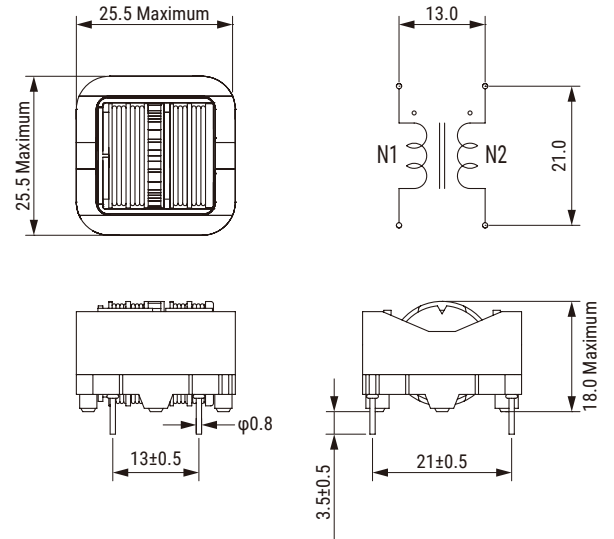
Dimensions – Millimeters (Inches) cont.

SSRH24NVS/NHS

● SSRH24NVS



● SSRH24NHS



X-ON Electronics

Largest Supplier of Electrical and Electronic Components

Click to view similar products for [Inductor Kits & Accessories](#) category:

Click to view products by [Kemet](#) manufacturer:

Other Similar products are found below :

[B82498X001](#) [EKDMGN08A-KIT](#) [EKDMGN011-KIT](#) [HCTI-HCTC-KIT](#) [EKDMAT02-KIT](#) [DK0051](#) [EKDMAT04-KIT](#) [HCTC-KIT](#) [744779](#)
[CP-P36/22-2S](#) [CPV-RM12/I-1S-12PD-TZ](#) [744062](#) [TSTH-MM](#) [TSTH-MS](#) [TTH 50-150](#) [31743](#) [WE-1413H](#) [WE-1952V](#) [WE-237](#) [WE-2750H](#)
[WE-279](#) [WE-2886H](#) [WE-3671H](#) [WE-3683H](#) [WE-3686](#) [WE-3693](#) [WE-3701H](#) [WE-3759](#) [CPHS-EFD20/7-1S-10P](#) [E30-K-H-12P-SS-P3002](#)
[E65-54-K-H](#) [EE13-K-H-8P-SW](#) [EE13-K-V-10P-SW](#) [EE25_10_6-K-V-10P-YW-360](#) [EF12.6-K-H-9P-P1212](#) [EF16-K-H-8P](#) [EF16-K-H-9P-SW](#)
[EF20-K-H-8P](#) [EF20-K-H-8P-SW](#) [EFD12_3.5-K-1S-8P-CPHS](#) [EFD15-K-10P-4S](#) [EFD25-K-10P-WZ7855](#) [FIRCHK](#) [CLI-EFD25](#) [TSTH-MD](#)
[WE-3657H](#) [WE-3621H](#) [WE-3292V](#) [WE-2901H](#) [WE-2752V](#)