

SCT-XV & SCR-XV Common Mode Choke Coils, 8 – 11 A, High Voltage, AEC-Q200 Automotive Kit

Sample Kit Contents

KEMET Part Number	Rated Voltage AC/DC (V)	Rated Current (A)	Inductance (mH) $\pm 30\%$	DC Resistance/Line (m Ω) $\pm 13\%$	Temperature Rise (K) Maximum	Quantity	Description
SCT19XV-080-1R0A011JV	1,000	8	0.45	8.70	55	2	Common Mode SCT-XV Coils, Automotive Grade, -40/+150°C
SCT19XV-100-1R1A009JV	1,000	10	0.30	6.03	45	2	Common Mode SCT-XV Coils, Automotive Grade, -40/+150°C
SCT25XV-100-1R3A016JV	1,000	10	2.05	10.91	55	2	Common Mode SCT-XV Coils, Automotive Grade, -40/+150°C
SCT25XV-110-1R4A013JV	1,000	11	1.35	7.72	50	2	Common Mode SCT-XV Coils, Automotive Grade, -40/+150°C
SCT29XV-090-1R4A022JV	1,000	9	1.62	10.20	40	2	Common Mode SCT-XV Coils, Automotive Grade, -40/+150°C
SCT29XV-110-1R5A019JV	1,000	11	1.21	8.00	45	2	Common Mode SCT-XV Coils, Automotive Grade, -40/+150°C
SCR19XV-080-1R0A011JV	1,000	8	0.75	8.70	55	2	Common Mode SCR-XV Coils, Automotive Grade, -40/+120°C
SCR19XV-100-1R1A009JV	1,000	10	0.50	6.03	45	2	Common Mode SCR-XV Coils, Automotive Grade, -40/+120°C
SCR25XV-100-1R3A016JV	1,000	10	3.10	10.91	55	2	Common Mode SCR-XV Coils, Automotive Grade, -40/+120°C
SCR25XV-110-1R4A013JV	1,000	11	2.10	7.72	50	2	Common Mode SCR-XV Coils, Automotive Grade, -40/+120°C
SCR29XV-090-1R4A022JV	1,000	9	2.95	10.20	40	2	Common Mode SCR-XV Coils, Automotive Grade, -40/+120°C
SCR29XV-110-1R5A019JV	1,000	11	2.20	8.00	45	2	Common Mode SCR-XV Coils, Automotive Grade, -40/+120°C
KEMET Part Number	Rated Voltage AC/DC (V)	Rated Current (A)	Inductance (mH) $\pm 30\%$	DC Resistance/Line (m Ω) $\pm 13\%$	Temperature Rise (K) Maximum	Quantity	Description

Dimensions – Millimeters

Figure 1

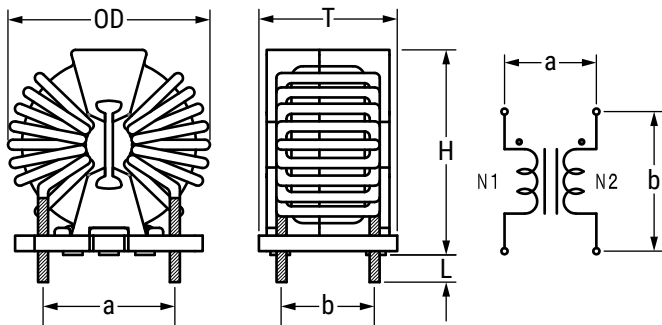
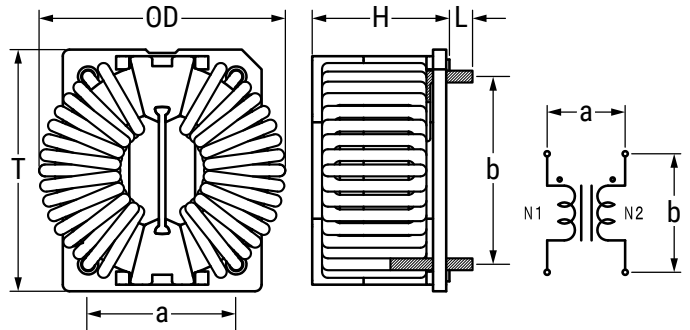


Figure 2



Part Name	Dimensions (mm)				Pin Pitch ¹ (Reference)		Figure
	OD (Maximum)	T (Maximum)	H (Maximum)	L	a	b	
SCR19-JV / SCT19-JV	27.0 / 28.0	18.4	27.5	3.50 ±0.5	17.0	12.0	Fig. 1
SCR25-JV / SCT25-JV	34.0 / 35.5 / 37.5	26.0	33.5	3.50 ±0.5	20.5	18.5	
SCR29-JV / SCT29-JV	39.0 / 40.5 / 41.5	21.4	37.7	3.50 ±0.5	22.5	13.5	
SCR19-JH / SCT19-JH	27.0 / 28.0	27.0	18.9	3.50 ±0.5	17.0	19.0	Fig. 2
SCR25-JH / SCT25-JH	34.0 / 35.5 / 37.5	33.0	26.5	3.50 ±0.5	20.5	24.5	
SCR29-JH / SCT29-JH	39.0 / 40.5 / 41.5	37.2	21.9	3.50 ±0.5	22.5	28.5	

¹ Pin pitch listed above for reference only. Values not guaranteed.

X-ON Electronics

Largest Supplier of Electrical and Electronic Components

Click to view similar products for [Inductor Kits & Accessories](#) category:

Click to view products by [Kemet](#) manufacturer:

Other Similar products are found below :

[B82498X001](#) [EKDMGN08A-KIT](#) [CP-P36/22-2S](#) [744062](#) [TSTH-MM](#) [TSTH-MS](#) [TTH 50-150](#) [WE-1413H](#) [WE-1952V](#) [WE-237](#) [WE-2750H](#)
[WE-279](#) [WE-3671H](#) [WE-3683H](#) [WE-3686](#) [WE-3693](#) [WE-3698H](#) [WE-3701H](#) [WE-3759](#) [E30-K-H-12P-SS-P3002](#) [E65-54-K-H](#) [E65-81-K-H](#)
[EE13-K-V-10P-SW](#) [EE25_10_6-K-V-10P-YW-360](#) [EF12.6-K-H-9P-P1212](#) [EF16-K-H-9P-SW](#) [EF20-K-H-8P](#) [EF20-K-H-8P-SW](#) [EFD12_3.5-](#)
[K-1S-8P-CPHS](#) [FIRCHK](#) [744006](#) [7440405](#) [CLI-EFD25](#) [CPH-U15/11/6-1S-4P](#) [TSTH-MD](#) [WE-3657H](#) [WE-3621H](#) [WE-3292V](#) [WE-2752V](#)
[CCCM453232-LAB1](#) [B66359-B1013-T1](#) [B82442X002](#) [TTH 200-300](#) [74491](#) [P0752NLKIT](#) [P0250NLKIT](#) [P0770NLKIT](#) [823999](#) [WZ-7958](#)
[WZ 7953/1 ST](#)