

# SCT-XV & SCR-XV Common Mode Choke Coils, 18 – 22 A, High Voltage, AEC-Q200 Automotive Kit

## Sample Kit Contents

KEMET Part Number	Rated Voltage AC/DC (V)	Rated Current (A)	Inductance (mH) ±30%	DC Resistance/ Line (mΩ) ±13%	Temperature Rise (K) Maximum	Quantity	Description
SCT19XV-190-1R5A005JV	1,000	19	0.093	1.89	50	2	Common Mode SCT-XV Coils, Automotive Grade, -40/+150°C
SCT19XV-220-1R6A004JV	1,000	22	0.060	1.38	50	2	Common Mode SCT-XV Coils, Automotive Grade, -40/+150°C
SCT25XV-190-1R8A008JV	1,000	19	0.510	2.98	55	2	Common Mode SCT-XV Coils, Automotive Grade, -40/+150°C
SCT25XV-220-1R9A007JV	1,000	22	0.390	2.35	55	2	Common Mode SCT-XV Coils, Automotive Grade, -40/+150°C
SCT29XV-180-1R8A013JV	1,000	18	0.560	3.99	60	2	Common Mode SCT-XV Coils, Automotive Grade, -40/+150°C
SCT29XV-200-2R0A011JV	1,000	20	0.400	2.73	50	2	Common Mode SCT-XV Coils, Automotive Grade, -40/+150°C
SCR19XV-190-1R5A005JV	1,000	19	0.160	1.89	50	2	Common Mode SCR-XV Coils, Automotive Grade, -40/+120°C
SCR19XV-220-1R6A004JV	1,000	22	0.100	1.38	50	2	Common Mode SCR-XV Coils, Automotive Grade, -40/+120°C
SCR25XV-190-1R8A008JV	1,000	19	0.780	2.98	55	2	Common Mode SCR-XV Coils, Automotive Grade, -40/+120°C
SCR25XV-220-1R9A007JV	1,000	22	0.600	2.35	55	2	Common Mode SCR-XV Coils, Automotive Grade, -40/+120°C
SCR29XV-180-1R8A013JV	1,000	18	1.040	3.99	60	2	Common Mode SCR-XV Coils, Automotive Grade, -40/+120°C
SCR29XV-200-2R0A011JV	1,000	20	0.740	2.73	50	2	Common Mode SCR-XV Coils, Automotive Grade, -40/+120°C
KEMET Part Number	Rated Voltage AC/DC (V)	Rated Current (A)	Inductance (mH) ±30%	DC Resistance/ Line (mΩ) ±13%	Temperature Rise (K) Maximum	Quantity	Description

## Dimensions – Millimeters

Figure 1

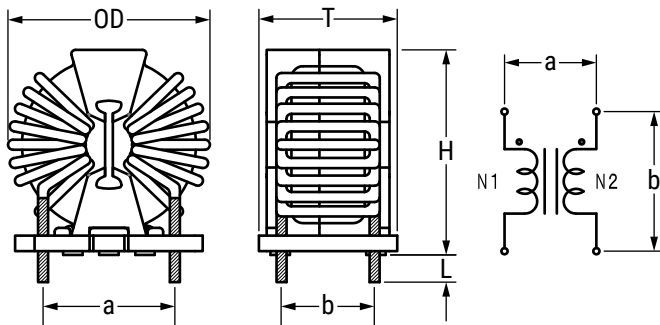
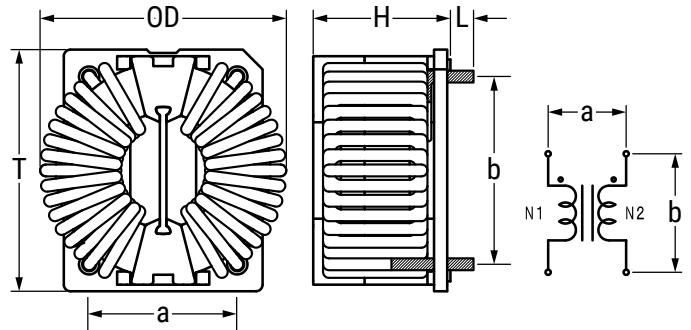


Figure 2



Part Name	Dimensions (mm)				Pin Pitch <sup>1</sup> (Reference)		Figure
	OD (Maximum)	T (Maximum)	H (Maximum)	L	a	b	
SCR19-JV / SCT19-JV	27.0 / 28.0	18.4	27.5	3.50 ±0.5	17.0	12.0	Fig. 1
SCR25-JV / SCT25-JV	34.0 / 35.5 / 37.5	26.0	33.5	3.50 ±0.5	20.5	18.5	
SCR29-JV / SCT29-JV	39.0 / 40.5 / 41.5	21.4	37.7	3.50 ±0.5	22.5	13.5	
SCR19-JH / SCT19-JH	27.0 / 28.0	27.0	18.9	3.50 ±0.5	17.0	19.0	Fig. 2
SCR25-JH / SCT25-JH	34.0 / 35.5 / 37.5	33.0	26.5	3.50 ±0.5	20.5	24.5	
SCR29-JH / SCT29-JH	39.0 / 40.5 / 41.5	37.2	21.9	3.50 ±0.5	22.5	28.5	

<sup>1</sup> Pin pitch listed above for reference only. Values not guaranteed.

## X-ON Electronics

Largest Supplier of Electrical and Electronic Components

*Click to view similar products for [Inductor Kits & Accessories](#) category:*

*Click to view products by [Kemet](#) manufacturer:*

Other Similar products are found below :

[B82498X001](#) [EKDMGN08A-KIT](#) [CP-P36/22-2S](#) [744062](#) [TSTH-MM](#) [TSTH-MS](#) [TTH 50-150](#) [WE-1413H](#) [WE-1952V](#) [WE-237](#) [WE-2750H](#)  
[WE-279](#) [WE-3671H](#) [WE-3683H](#) [WE-3686](#) [WE-3693](#) [WE-3698H](#) [WE-3701H](#) [WE-3759](#) [E30-K-H-12P-SS-P3002](#) [E65-54-K-H](#) [E65-81-K-H](#)  
[EE13-K-V-10P-SW](#) [EE25\\_10\\_6-K-V-10P-YW-360](#) [EF12.6-K-H-9P-P1212](#) [EF16-K-H-9P-SW](#) [EF20-K-H-8P](#) [EF20-K-H-8P-SW](#) [EFD12\\_3.5-](#)  
[K-1S-8P-CPHS](#) [FIRCHK](#) [744006](#) [7440405](#) [CLI-EFD25](#) [CPH-U15/11/6-1S-4P](#) [TSTH-MD](#) [WE-3657H](#) [WE-3621H](#) [WE-3292V](#) [WE-2752V](#)  
[CCCM453232-LAB1](#) [B66359-B1013-T1](#) [B82442X002](#) [TTH 200-300](#) [74491](#) [P0752NLKIT](#) [P0250NLKIT](#) [P0770NLKIT](#) [823999](#) [WZ-7958](#)  
[WZ 7953/1 ST](#)