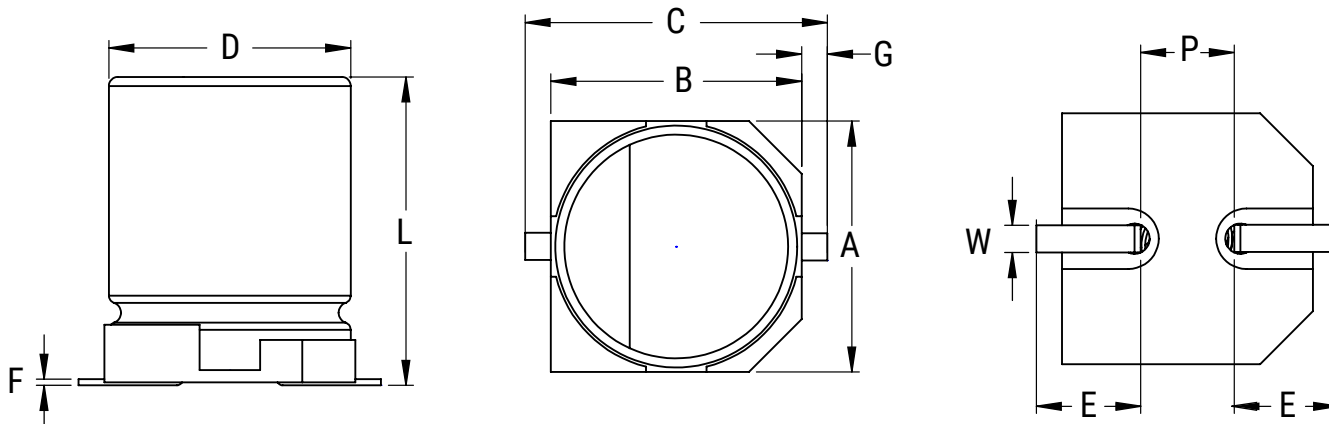


Aluminum Electrolytic Surface Mount Capacitors

Sample Kit Contents

| KEMET Part Number | VDC | VDC Surge Voltage | Rated Capacitance 120 Hz 20°C (μF) | Case Size D x L (mm) | DF 120 Hz 20°C (tan δ %) | LC 20°C 2 Minutes (μA) | Quantity |
|-------------------|-----|-------------------|------------------------------------|----------------------|--------------------------|------------------------|----------|
| EDK476M016A9DAA | 16 | 20 | 47 | 5 x 5.4 | 16 | 7.5 | 6 |
| EEV337M016A9MAA | 16 | 20 | 330 | 8 x 10.2 | 16 | 52.8 | 6 |
| EEV227M016A9HAA | 16 | 20 | 220 | 6.3 x 7.7 | 16 | 35.2 | 6 |
| EDK106M025A9BAA | 25 | 32 | 10 | 4 x 5.4 | 20 | 3.0 | 6 |
| EDH107M025A9HAA | 25 | 32 | 100 | 6.3 x 7.7 | 16 | 25.0 | 6 |
| EXV477M025A9PAA | 25 | 32 | 470 | 10 x 10.2 | 14 | 117.5 | 6 |
| EDH228M025A9TAA | 25 | 32 | 2,200 | 16 x 16.5 | 26 | 550.0 | 6 |
| EDK475M035A9BAA | 35 | 44 | 4.7 | 4 x 5.4 | 12 | 3.0 | 6 |
| EDK106M035A9BAA | 35 | 44 | 10 | 4 x 5.4 | 16 | 3.5 | 6 |
| EEV476M035A9GAA | 35 | 44 | 47 | 6.3 x 5.4 | 12 | 16.5 | 6 |
| EEV107M035A9HAA | 35 | 44 | 100 | 6.3 x 7.7 | 12 | 35.0 | 6 |
| EXV337M035A9PAA | 35 | 44 | 330 | 10 x 10.2 | 12 | 115.5 | 6 |
| EXV227M050A9PAA | 50 | 63 | 220 | 10 x 10.2 | 12 | 110.0 | 6 |
| EDH225M050A9BAA | 50 | 63 | 2.2 | 4 x 5.4 | 12 | 3.0 | 6 |
| EDH107M063A9PAA | 63 | 79 | 100 | 10 x 10.2 | 18 | 63.0 | 6 |
| EDH476M100A9PAA | 100 | 125 | 47 | 10 x 10.2 | 18 | 47.0 | 6 |
| EDH476M200A9TAA | 200 | 250 | 47 | 16 x 16.5 | 20 | 94.0 | 6 |
| EDH476M250A9TAA | 250 | 300 | 47 | 16 x 16.5 | 20 | 117.5 | 6 |
| EDH336M400A9TAA | 400 | 450 | 33 | 16 x 16.5 | 25 | 132.0 | 6 |
| EDH226M450A9TAA | 450 | 500 | 22 | 16 x 16.5 | 25 | 99.0 | 6 |

Dimensions – Millimeters (Inches)



EDH

| Size Code | D | | L | | A/B | | C | | E | |
|-----------|---------|-----------|---------|------------|---------|-----------|---------|-----------|---------|-----------|
| | Nominal | Tolerance | Nominal | Tolerance | Nominal | Tolerance | Nominal | Tolerance | Nominal | Tolerance |
| 9B | 4 | ±0.5 | 5.4 | +0.25/-0.1 | 4.3 | ±0.2 | 5.5 | Maximum | 1.8 | ±0.2 |
| 9H | 6.3 | ±0.5 | 7.7 | ±0.3 | 6.6 | ±0.2 | 7.8 | Maximum | 2.6 | ±0.2 |
| 9P | 10 | ±0.5 | 10.2 | ±0.3 | 10.3 | ±0.2 | 13 | Maximum | 3.5 | ±0.2 |
| 9T | 16 | ±0.5 | 16.5 | ±1.0 | 16.3 | ±0.2 | 18.7 | Maximum | 5.8 | ±0.2 |

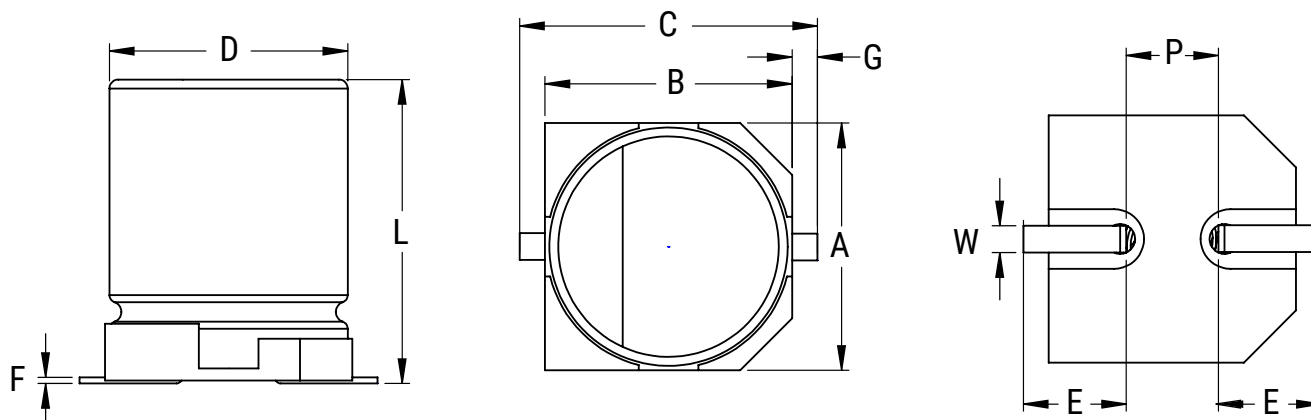
| Size Code | F | | G | | P | | W | |
|-----------|---------|-----------|---------|------------|---------|-----------|---------|-----------|
| | Nominal | Tolerance | Nominal | Tolerance | Nominal | Tolerance | Nominal | Tolerance |
| 9B | 0.3 | Maximum | 0.35 | +0.15/-0.2 | 1.0 | ±0.2 | 0.65 | ±0.1 |
| 9H | 0.3 | Maximum | 0.35 | +0.15/-0.2 | 1.8 | ±0.2 | 0.65 | ±0.1 |
| 9P | 0.3 | Maximum | 0.70 | ±0.2 | 4.6 | ±0.2 | 0.9 | ±0.2 |
| 9T | 0.3 | Maximum | 1.0 | ±0.2 | 6.0 | ±0.2 | 2.0 | ±0.2 |

EDK

| Size Code | D | | L | | A/B | | C | | E | |
|-----------|---------|-----------|---------|------------|---------|-----------|---------|-----------|---------|-----------|
| | Nominal | Tolerance | Nominal | Tolerance | Nominal | Tolerance | Nominal | Tolerance | Nominal | Tolerance |
| 9B | 4 | ±0.5 | 5.4 | +0.25/-0.1 | 4.3 | ±0.2 | 5.5 | Maximum | 1.8 | ±0.2 |

| Size Code | F | | G | | P | | W | |
|-----------|---------|-----------|---------|------------|---------|-----------|---------|-----------|
| | Nominal | Tolerance | Nominal | Tolerance | Nominal | Tolerance | Nominal | Tolerance |
| 9B | 0.3 | Maximum | 0.35 | +0.15/-0.2 | 1.0 | ±0.2 | 0.65 | ±0.1 |

Dimensions – Millimeters



EEV

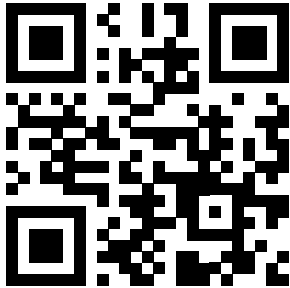
| Size Code | D | | L | | A/B | | C | | E | |
|-----------|---------|-----------|---------|------------|---------|-----------|---------|-----------|---------|-----------|
| | Nominal | Tolerance | Nominal | Tolerance | Nominal | Tolerance | Nominal | Tolerance | Nominal | Tolerance |
| 9G | 6.3 | ±0.5 | 5.4 | +0.25/-0.1 | 6.6 | ±0.2 | 7.8 | Maximum | 2.6 | ±0.2 |
| 9H | 6.3 | ±0.5 | 7.7 | ±0.3 | 6.6 | ±0.2 | 7.8 | Maximum | 2.6 | ±0.2 |
| 9M | 8 | ±0.5 | 10.2 | ±0.3 | 8.3 | ±0.2 | 10 | Maximum | 3.4 | ±0.2 |

| Size Code | F | | G | | P | | W | |
|-----------|---------|-----------|---------|------------|---------|-----------|---------|-----------|
| | Nominal | Tolerance | Nominal | Tolerance | Nominal | Tolerance | Nominal | Tolerance |
| 9G | 0.3 | Maximum | 0.35 | +0.15/-0.2 | 1.8 | ±0.2 | 0.65 | ±0.1 |
| 9H | 0.3 | Maximum | 0.35 | +0.15/-0.2 | 1.8 | ±0.2 | 0.65 | ±0.1 |
| 9M | 0.3 | Maximum | 0.70 | ±0.2 | 3.1 | ±0.2 | 0.9 | ±0.2 |

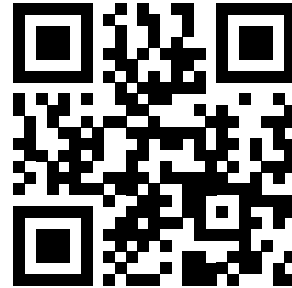
EXV

| Size Code | D | | L | | A/B | | C | | E | |
|-----------|---------|-----------|---------|-----------|---------|-----------|---------|-----------|---------|-----------|
| | Nominal | Tolerance | Nominal | Tolerance | Nominal | Tolerance | Nominal | Tolerance | Nominal | Tolerance |
| 9P | 10 | ±0.5 | 10.2 | ±0.3 | 10.3 | ±0.2 | 13 | Maximum | 3.5 | ±0.2 |

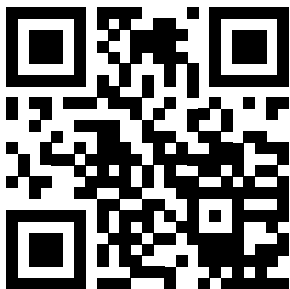
| Size Code | F | | G | | P | | W | |
|-----------|---------|-----------|---------|-----------|---------|-----------|---------|-----------|
| | Nominal | Tolerance | Nominal | Tolerance | Nominal | Tolerance | Nominal | Tolerance |
| 9P | 0.3 | Maximum | 0.70 | ±0.2 | 4.6 | ±0.2 | 0.9 | ±0.2 |



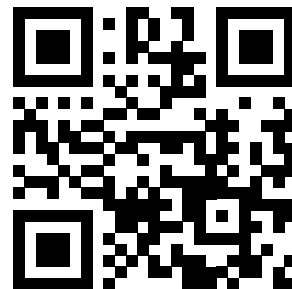
www.kemet.com/EDH



www.kemet.com/EDK



www.kemet.com/EEV



www.kemet.com/EXV

X-ON Electronics

Largest Supplier of Electrical and Electronic Components

Click to view similar products for [Capacitor Kits](#) category:

Click to view products by [Kemet](#) manufacturer:

Other Similar products are found below :

[1320838-1](#) [DK0035T](#) [KITMS11111](#) [DK0026T](#) [DK0033T](#) [TS0002](#) [ALU ENG KIT 07](#) [GRM03-KIT-CLASS2-DE](#) [MKV250V-KIT-1-DE](#)
[MKV250V-KIT-2-DE](#) [744114](#) [GCJ-KIT-X7-DE-A](#) [GJM022-KIT-TTOL-DE](#) [GRM02-KIT-DE](#) [ACCU-P0402KITL1](#) [KITTYPE2100 LF](#)
[KITMS08051](#) [AY21-KIT-HF](#) [SS016M0047B1F-0407](#) [PPR ENG KIT 04](#) [ALU ENG KIT 02](#) [TAN ENG KIT 34](#) [CER ENG KIT 37](#) [CER ENG](#)
[KIT 36](#) [ALU ENG KIT 01](#) [VY2-KIT-MS](#) [ACCU-P0402KITL2](#) [TS0003](#) [ACCU-P0201KITL2](#) [FPCAP-SMD-KIT](#) [885070](#) [ALU ENG KIT 03](#)
[ALU ENG KIT 05](#) [ALU ENG KIT 06](#) [DK0008T](#) [DK0015](#) [DK0036T](#) [DK0037T](#) [DK0081T](#) [DK0060T](#) [ESRD-KIT9](#) [MCF1000VKIT6](#) [MICA-](#)
[KIT1](#) [MICA-KIT6](#) [MIN300VKIT1](#) [HOTC-KIT-KH](#) [iKIT60MM2V7A2S](#) [S-0402](#) [S-0603](#) [S-0805](#)