

DC - Link Capacitor C44U

GENERAL TECHNICAL DATA

Reference Standards : IEC 61071 , EN 61071

Dielectric : metallized polypropylene film
 Winding : non-inductive type

Case : aluminum case with threaded bolt M12
 Deck : thermosetting resin flame retardant UL94 V0
 high current M6 female terminals

Construction : dry construction, filled by solid resin

IEC climatic category : 40/85/21 according to IEC 68-1
 Operational Temperature : -40 to +85°C
 Storage Temperature : -40 to +95°C

DIMENSIONS (mm)

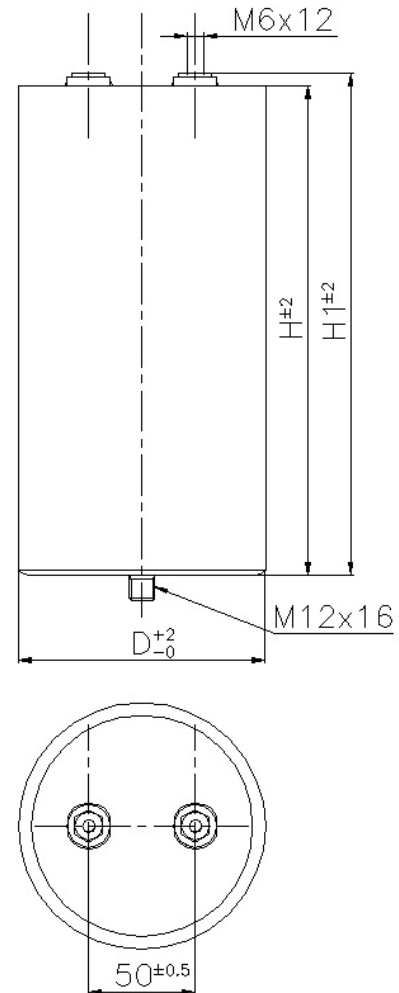
$\varnothing = 116$	$\varnothing \text{ max} = 118$	$H = 270$	$H1 = 276$	$P \text{ term.} = 50$
---------------------	---------------------------------	-----------	------------	------------------------

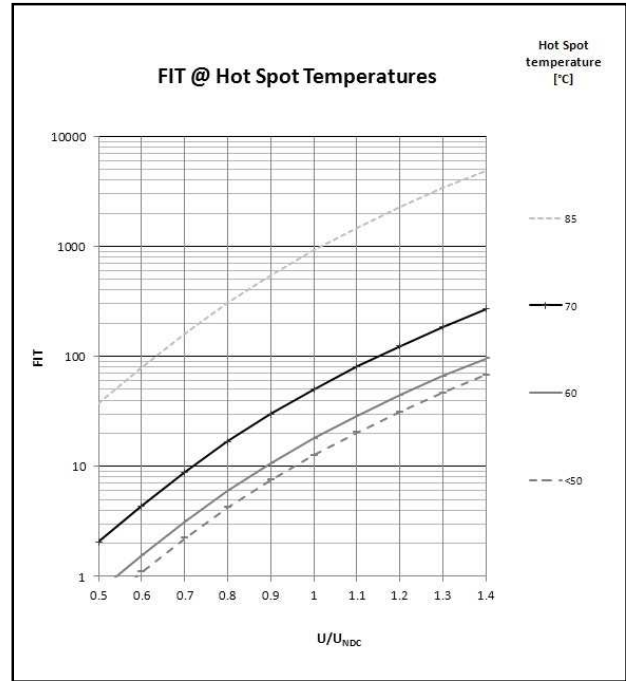
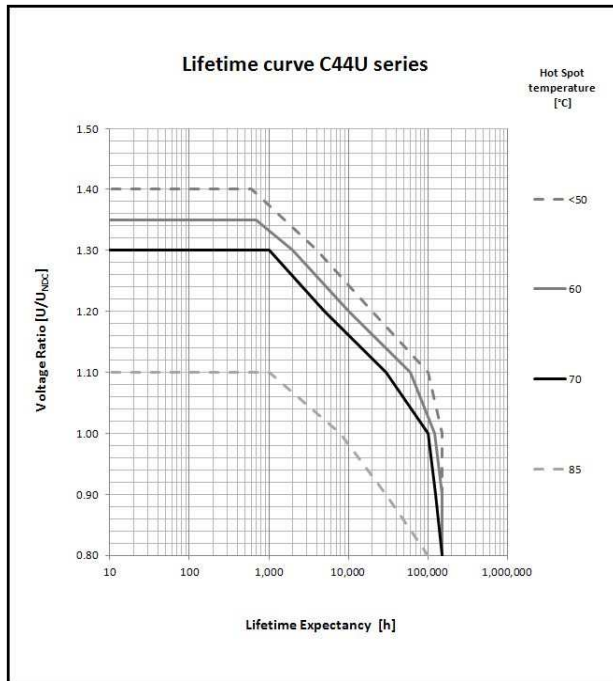
TEST METHODS AND PERFORMANCES

Test voltage terminal to terminal (Utt)	1.5*Un for 10 s at 25°C
Test voltage terminal to case (Utc)	3.2 kV 50Hz for 10 sec.
Life expectancy	100.000 hours @ Un and Ths = 70°C
Failure rate (IEC 61709)	50/10 ⁹ components hour @ Un and Ths = 70°C
Endurance Test (IEC 61071)	500h+500h @ 1.3xUn @ 70°C
Capacitance deviation in temperature range (-25..+85°C)	± 1,5% max on capacitance value at 25°C
Installation	Whatever position

ELECTRICAL CHARACTERISTICS

Code	C44UOGT7200G5SK
Capacitance	2000 µF
Tolerance	±10 %
Rated Voltage	900 Vdc
Max Irms Current with natural cooling (Ths = 70°C)	100 Arms @40°C ambient temperature and 10kHz 92 Arms @50°C ambient temperature and 10kHz 54 Arms @60°C ambient temperature and 10kHz
Thermal Resistance	1.6 °C/W
dV/dt	5 V/µs
Repetitive Peak Current	10000 Apk
ESR	1.5 mΩ (10 kHz)
ESL	≤ 85 nH
Weight	~ 3250 gr
Number of pieces for packing unit	4





X-ON Electronics

Largest Supplier of Electrical and Electronic Components

Click to view similar products for [Film Capacitors](#) category:

Click to view products by [Kemet](#) manufacturer:

Other Similar products are found below :

[F450KG153J250ALH0J](#) [750-1018](#) [FKP1-1000160010P15](#) [FKP1-1500160010P15](#) [82EC1100DQ50K](#) [MMWAF150KME](#)
[PFR5101J100J11L16.5TA18](#) [PME261JB5220KR19T0](#) [A521HH333M035C](#) [A561ED221M450A](#) [QXJ2E474KTPT](#) [QXL2B333KTPT](#)
[QXM2G104K](#) [DMT2P22](#) [EEC2G505HQA406](#) [B32520C6332K000](#) [B32522C6104K000](#) [B32676E6755K](#) [C3B2AD44400B20K](#)
[SCD105K122A3-22](#) [2N3155](#) [F601BL225K063CL60A](#) [FKP1-2202KV5P15](#) [FKS3-680040010P10](#) [445450-1](#) [B32523Q0475K000](#)
[46KR415050M1K](#) [4BSNBX4100ZBFJ](#) [4DCNAQ4450ZA0J](#) [MKP383510063JKP2T0](#) [MKT 1813-368-015](#) [MKT182022263473](#) [4055292001](#)
[WMC08P22](#) [WMF1S15](#) [WMF4S68](#) [EEC2E106HQA405](#) [EEC2G805HQA415](#) [82DC3100DQ50J](#) [82EC2150DQ50K](#) [WMF4D68](#) [WMF1D68](#)
[B25620B118K883](#) [ECW-F2105JAC](#) [B25620B158K883](#) [66MD2100CK7AK](#) [A521HH471M450C](#) [97F8038](#) [NRM-S225K250F](#)
[730P205X9400](#)