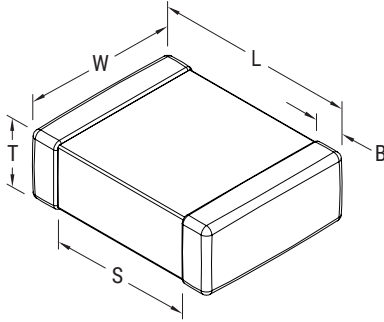


Sample Kit Contents

KEMET Part Number	Case Size	Capacitance	Cap Tolerance	Rated Voltage	T Thickness	Dielectric	Quantity
	EIA/Metric		%	VDC	mm		
C0805X101KDRCTU	0805/2012	100 pF	±10	1000	1.25 ±0.15	X7R	50
C0805C272KDRCTU	0805/2012	272 pF	±10	1000	1.25 ±0.15	X7R	50
C0805C102KDRCTU	0805/2012	1000 pF	±10	1000	1.25 ±0.15	X7R	50
C0805X472KDRCTU	0805/2012	4700 pF	±10	1000	1.25 ±0.15	X7R	50
C0805X822KBRCTU	0805/2012	8200 pF	±10	630	1.25 ±0.15	X7R	50
C0805X123KCRCTU	0805/2012	12000 pF	±10	500	1.25 ±0.15	X7R	50
C1206C102KGRCTU	1206/3216	1000 pF	±10	2000	1.60 ±0.15	X7R	50
C1206C472KDRCTU	1206/3216	4700 pF	±10	1000	1.20 ±0.15	X7R	50
C1206C682KFRCTU	1206/3216	6800 pF	±10	1500	1.20 ±0.15	X7R	50
C1206X103KFRCTU	1206/3216	10000 pF	±10	1500	1.60 ±0.15	X7R	50
C1206C333KBRCTU	1206/3216	33000 pF	±10	630	1.70 ±0.20	X7R	50
C1206X683KCRCTU	1206/3216	68000 pF	±10	500	1.70 ±0.20	X7R	50
C1210C682KGRCTU	1210/3225	6800 pF	±10	2000	2.50 ±0.30	X7R	50
C1210X393KFRCTU	1210/3225	39000 pF	±10	1500	2.50 ±0.30	X7R	50
C1808C102KHRCTU	1808/4520	1000 pF	±10	3000	2.00 ±0.15	X7R	50
C1808X472KGRCTU	1808/4520	4700 pF	±10	2000	2.00 ±0.15	X7R	50
C1812C103KGRCTU	1812/4532	10000 pF	±10	2000	2.50 ±0.20	X7R	25
C1812X334KCRCTU	1812/4532	0.33 µF	±10	500	2.10 ±0.20	X7R	25
C1825X153KGRCTU	1825/4564	15000 pF	±10	2000	2.50 ±0.20	X7R	25
C1825C104KDRCTU	1825/4564	0.10 µF	±10	1000	2.50 ±0.20	X7R	25
C2220C103KHRCTU	2220/5650	10000 pF	±10	3000	2.00 ±0.20	X7R	25
C2220X104KDRCTU	2220/5650	0.10 µF	±10	1000	2.50 ±0.20	X7R	25
C2225C273KGRCTU	2225/5664	27000 pF	±10	2000	2.50 ±0.20	X7R	25
C2225X154KDRCTU	2225/5664	0.15 µF	±10	1000	2.50 ±0.20	X7R	25

Dimensions – Millimeters (Inches)



Case Size (in.)	Case Size (mm)	L Length	W Width	T Thickness	B Bandwidth	S Separation Minimum	Mounting Technique
0805	2012	2.00 (0.079) ±0.20 (0.008)	1.25 (0.049) ±0.20 (0.008)	See Table Above	0.50 (0.02) ±0.25 (0.010)	0.75 (0.030)	Solder Wave or Solder Reflow
1206	3216	3.20 (0.126) ±0.20 (0.008)	1.60 (0.063) ±0.20 (0.008)		0.50 (0.02) ±0.25 (0.010)	N/A	
1210	3225	3.20 (0.126) ±0.20 (0.008)	2.50 (0.098) ±0.20 (0.008)		0.50 (0.02) ±0.25 (0.010)		Solder Reflow Only
1808	4520	4.70 (0.185) ±0.50 (0.020)	2.00 (0.079) ±0.20 (0.008)		0.60 (0.024) ±0.35 (0.014)		
1812	4532	4.50 (0.177) ±0.30 (0.012)	3.20 (0.126) ±0.30 (0.012)		0.60 (0.024) ±0.35 (0.014)		
1825	4564	4.50 (0.177) ±0.30 (0.012)	6.40 (0.252) ±0.40 (0.016)		0.60 (0.024) ±0.35 (0.014)		
2220	5650	5.70 (0.224) ±0.40 (0.016)	5.00 (0.197) ±0.40 (0.016)		0.60 (0.024) ±0.35 (0.014)		
2225	5664	5.60 (0.220) ±0.40 (0.016)	6.40 (0.248) ±0.40 (0.016)		0.60 (0.024) ±0.35 (0.014)		

X-ON Electronics

Largest Supplier of Electrical and Electronic Components

Click to view similar products for [Capacitor Kits](#) category:

Click to view products by [Kemet](#) manufacturer:

Other Similar products are found below :

[1320838-1](#) [DK0035T](#) [KITMS11111](#) [DK0026T](#) [DK0033T](#) [TS0002](#) [ALU ENG KIT 07](#) [GRM03-KIT-CLASS2-DE](#) [MKV250V-KIT-1-DE](#)
[MKV250V-KIT-2-DE](#) [744114](#) [GCJ-KIT-X7-DE-A](#) [GJM022-KIT-TTOL-DE](#) [GRM02-KIT-DE](#) [ACCU-P0402KITL1](#) [KITTYPE2100 LF](#)
[KITMS08051](#) [AY21-KIT-HF](#) [SS016M0047B1F-0407](#) [PPR ENG KIT 04](#) [ALU ENG KIT 02](#) [TAN ENG KIT 34](#) [CER ENG KIT 37](#) [CER ENG](#)
[KIT 36](#) [ALU ENG KIT 01](#) [VY2-KIT-MS](#) [ACCU-P0402KITL2](#) [TS0003](#) [ACCU-P0201KITL2](#) [FPCAP-SMD-KIT](#) [885070](#) [ALU ENG KIT 03](#)
[ALU ENG KIT 05](#) [ALU ENG KIT 06](#) [DK0008T](#) [DK0015](#) [DK0036T](#) [DK0037T](#) [DK0081T](#) [DK0060T](#) [ESRD-KIT9](#) [MCF1000VKIT6](#) [MICA-](#)
[KIT1](#) [MICA-KIT6](#) [MIN300VKIT1](#) [HOTC-KIT-KH](#) [iKIT60MM2V7A2S](#) [S-0402](#) [S-0603](#) [S-0805](#)