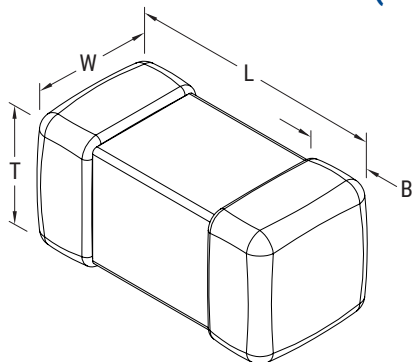


Sample Kit Contents

| KEMET Part Number | Case Size | Capacitance | Cap Tolerance | Rated Voltage | Dielectric | Quantity |
|-------------------|------------|-------------|---------------|---------------|------------|----------|
| | EIA/Metric | pF | % | VDC | | |
| CBR08C308BCGAC | 0805/2012 | 0.3 | ±0.1 | 500 | COG | 50 |
| CBR08C408BCGAC | 0805/2012 | 0.4 | ±0.1 | 500 | COG | 50 |
| CBR08C508BCGAC | 0805/2012 | 0.5 | ±0.1 | 500 | COG | 50 |
| CBR08C608BCGAC | 0805/2012 | 0.6 | ±0.1 | 500 | COG | 50 |
| CBR08C708BCGAC | 0805/2012 | 0.7 | ±0.1 | 500 | COG | 50 |
| CBR08C808BCGAC | 0805/2012 | 0.8 | ±0.1 | 500 | COG | 50 |
| CBR08C908BCGAC | 0805/2012 | 0.9 | ±0.1 | 500 | COG | 50 |
| CBR08C109BCGAC | 0805/2012 | 1.0 | ±0.1 | 500 | COG | 50 |
| CBR08C129BCGAC | 0805/2012 | 1.2 | ±0.1 | 500 | COG | 50 |
| CBR08C159BCGAC | 0805/2012 | 1.5 | ±0.1 | 500 | COG | 50 |
| CBR08C189BCGAC | 0805/2012 | 1.8 | ±0.1 | 500 | COG | 50 |
| CBR08C209BCGAC | 0805/2012 | 2.0 | ±0.1 | 500 | COG | 50 |
| CBR08C229BCGAC | 0805/2012 | 2.2 | ±0.1 | 500 | COG | 50 |
| CBR08C279BCGAC | 0805/2012 | 2.7 | ±0.1 | 500 | COG | 50 |
| CBR08C309BCGAC | 0805/2012 | 3.0 | ±0.1 | 500 | COG | 50 |
| CBR08C339BCGAC | 0805/2012 | 3.3 | ±0.1 | 500 | COG | 50 |
| CBR08C399BCGAC | 0805/2012 | 3.9 | ±0.1 | 500 | COG | 50 |
| CBR08C409BCGAC | 0805/2012 | 4.0 | ±0.1 | 500 | COG | 50 |
| CBR08C479BCGAC | 0805/2012 | 4.7 | ±0.1 | 500 | COG | 50 |
| CBR08C509CCGAC | 0805/2012 | 5.0 | ±0.25 | 500 | COG | 50 |
| CBR08C569CCGAC | 0805/2012 | 5.6 | ±0.25 | 500 | COG | 50 |
| CBR08C609BCGAC | 0805/2012 | 6.0 | ±0.1 | 500 | COG | 50 |
| CBR08C689CCGAC | 0805/2012 | 6.8 | ±0.25 | 500 | COG | 50 |
| CBR08C709CCGAC | 0805/2012 | 7.0 | ±0.25 | 500 | COG | 50 |
| CBR08C809BCGAC | 0805/2012 | 8.0 | ±0.1 | 500 | COG | 50 |
| CBR08C829BCGAC | 0805/2012 | 8.2 | ±0.1 | 500 | COG | 50 |
| CBR08C909CCGAC | 0805/2012 | 9.0 | ±0.25 | 500 | COG | 50 |
| CBR08C100JCGAC | 0805/2012 | 10 | ±5 | 500 | COG | 50 |
| CBR08C120JCGAC | 0805/2012 | 12 | ±5 | 500 | COG | 50 |
| CBR08C150JCGAC | 0805/2012 | 15 | ±5 | 500 | COG | 50 |
| CBR08C180JCGAC | 0805/2012 | 18 | ±5 | 500 | COG | 50 |
| CBR08C220JCGAC | 0805/2012 | 22 | ±5 | 500 | COG | 50 |
| CBR08C270JCGAC | 0805/2012 | 27 | ±5 | 500 | COG | 50 |
| CBR08C330JCGAC | 0805/2012 | 33 | ±5 | 500 | COG | 50 |
| CBR08C390JCGAC | 0805/2012 | 39 | ±5 | 500 | COG | 50 |
| CBR08C470JCGAC | 0805/2012 | 47 | ±5 | 500 | COG | 50 |
| CBR08C560JCGAC | 0805/2012 | 56 | ±5 | 500 | COG | 50 |
| CBR08C680JCGAC | 0805/2012 | 68 | ±5 | 500 | COG | 50 |
| CBR08C820JAGAC | 0805/2012 | 82 | ±5 | 250 | COG | 50 |
| CBR08C101JAGAC | 0805/2012 | 100 | ±5 | 250 | COG | 50 |

Dimensions – Millimeters (Inches)



| Case Size (in.) | Case Size (mm) | L Length | W Width | T Thickness | B Bandwidth | Mounting Technique |
|-----------------|----------------|----------------------------|----------------------------|----------------------------|----------------------------|---------------------------------|
| 0805 | 2012 | 2.00±0.20 (0.079±0.008) | 1.25±0.20 (0.049±0.008) | 0.85±0.10 (0.031±0.004) | 0.50±0.20 (0.020±0.008) | Solder Wave or Solder Reflow |

X-ON Electronics

Largest Supplier of Electrical and Electronic Components

Click to view similar products for [Capacitor Kits](#) category:

Click to view products by [Kemet](#) manufacturer:

Other Similar products are found below :

[1320838-1](#) [DK0035T](#) [KITMS11111](#) [DK0026T](#) [DK0033T](#) [TS0002](#) [ALU ENG KIT 07](#) [GRM03-KIT-CLASS2-DE](#) [MKV250V-KIT-1-DE](#)
[MKV250V-KIT-2-DE](#) [744114](#) [GCJ-KIT-X7-DE-A](#) [GJM022-KIT-TTOL-DE](#) [GRM02-KIT-DE](#) [ACCU-P0402KITL1](#) [KITTYPE2100 LF](#)
[KITMS08051](#) [AY21-KIT-HF](#) [SS016M0047B1F-0407](#) [PPR ENG KIT 04](#) [ALU ENG KIT 02](#) [TAN ENG KIT 34](#) [CER ENG KIT 37](#) [CER ENG](#)
[KIT 36](#) [ALU ENG KIT 01](#) [VY2-KIT-MS](#) [ACCU-P0402KITL2](#) [TS0003](#) [ACCU-P0201KITL2](#) [FPCAP-SMD-KIT](#) [885070](#) [ALU ENG KIT 03](#)
[ALU ENG KIT 05](#) [ALU ENG KIT 06](#) [DK0008T](#) [DK0015](#) [DK0036T](#) [DK0037T](#) [DK0081T](#) [DK0060T](#) [ESRD-KIT9](#) [MCF1000VKIT6](#) [MICA-](#)
[KIT1](#) [MICA-KIT6](#) [MIN300VKIT1](#) [HOTC-KIT-KH](#) [iKIT60MM2V7A2S](#) [S-0402](#) [S-0603](#) [S-0805](#)