

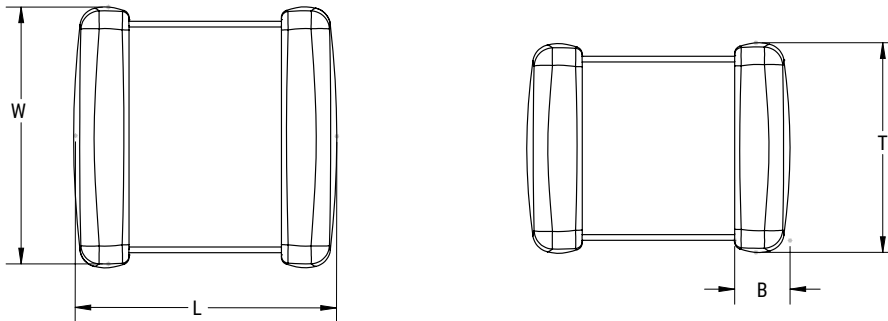
Ultra HiQ-CBR Squared Series, 0505 Case Size

High Power (10 – 100 pF)

Sample Kit Contents

| KEMET Part Number | Case Size | Capacitance | Capacitance Tolerance | Rated Voltage | Dielectric | Quantity |
|-------------------|------------|-------------|-----------------------|---------------|------------|----------|
| | EIA/Metric | pF | % | VDC | | |
| CBR05C100JAGAC | 0505/1414 | 10 | ±5 | 250 | COG | 50 |
| CBR05C110JAGAC | 0505/1414 | 11 | ±5 | 250 | COG | 50 |
| CBR05C120JAGAC | 0505/1414 | 12 | ±5 | 250 | COG | 50 |
| CBR05C150JAGAC | 0505/1414 | 15 | ±5 | 250 | COG | 50 |
| CBR05C150JAGAC | 0505/1414 | 15 | ±5 | 250 | COG | 50 |
| CBR05C180JAGAC | 0505/1414 | 18 | ±5 | 250 | COG | 50 |
| CBR05C200JAGAC | 0505/1414 | 20 | ±5 | 250 | COG | 50 |
| CBR05C220JAGAC | 0505/1414 | 22 | ±5 | 250 | COG | 50 |
| CBR05C240JAGAC | 0505/1414 | 24 | ±5 | 250 | COG | 50 |
| CBR05C270JAGAC | 0505/1414 | 27 | ±5 | 250 | COG | 50 |
| CBR05C330JAGAC | 0505/1414 | 33 | ±5 | 250 | COG | 50 |
| CBR05C390JAGAC | 0505/1414 | 39 | ±5 | 250 | COG | 50 |
| CBR05C470JAGAC | 0505/1414 | 47 | ±5 | 250 | COG | 50 |
| CBR05C560JAGAC | 0505/1414 | 56 | ±5 | 250 | COG | 50 |
| CBR05C680JAGAC | 0505/1414 | 68 | ±5 | 250 | COG | 50 |
| CBR05C820JAGAC | 0505/1414 | 82 | ±5 | 250 | COG | 50 |
| CBR05C101JAGAC | 0505/1414 | 100 | ±5 | 250 | COG | 50 |

Dimensions – Millimeters (Inches)



| Case Size (in.) | Case Size (mm) | L Length | W Width | T Thickness | B Bandwidth | Mounting Technique |
|-----------------|----------------|--|----------------------------|----------------------------|---------------------------------------|--------------------|
| 0505 | 1414 | 1.40+0.38/-0.25 (0.055+0.015/-0.01) | 1.40±0.38 (0.055±0.015) | 1.15±0.15 (0.045±0.006) | 0.25+0.25-0.13 (0.010+0.010-0.005) | Solder Reflow Only |

X-ON Electronics

Largest Supplier of Electrical and Electronic Components

Click to view similar products for [Capacitor Kits](#) category:

Click to view products by [Kemet](#) manufacturer:

Other Similar products are found below :

[1320838-1](#) [DK0035T](#) [KITMS11111](#) [DK0026T](#) [DK0033T](#) [TS0002](#) [ALU ENG KIT 07](#) [GRM03-KIT-CLASS2-DE](#) [MKV250V-KIT-1-DE](#)
[MKV250V-KIT-2-DE](#) [744114](#) [GCJ-KIT-X7-DE-A](#) [GJM022-KIT-TTOL-DE](#) [GRM02-KIT-DE](#) [ACCU-P0402KITL1](#) [KITTYPE2100 LF](#)
[KITMS08051](#) [AY21-KIT-HF](#) [SS016M0047B1F-0407](#) [PPR ENG KIT 04](#) [ALU ENG KIT 02](#) [TAN ENG KIT 34](#) [CER ENG KIT 37](#) [CER ENG](#)
[KIT 36](#) [ALU ENG KIT 01](#) [VY2-KIT-MS](#) [ACCU-P0402KITL2](#) [TS0003](#) [ACCU-P0201KITL2](#) [FPCAP-SMD-KIT](#) [885070](#) [ALU ENG KIT 03](#)
[ALU ENG KIT 05](#) [ALU ENG KIT 06](#) [DK0008T](#) [DK0015](#) [DK0036T](#) [DK0037T](#) [DK0081T](#) [DK0060T](#) [ESRD-KIT9](#) [MCF1000VKIT6](#) [MICA-](#)
[KIT1](#) [MICA-KIT6](#) [MIN300VKIT1](#) [HOTC-KIT-KH](#) [iKIT60MM2V7A2S](#) [S-0402](#) [S-0603](#) [S-0805](#)